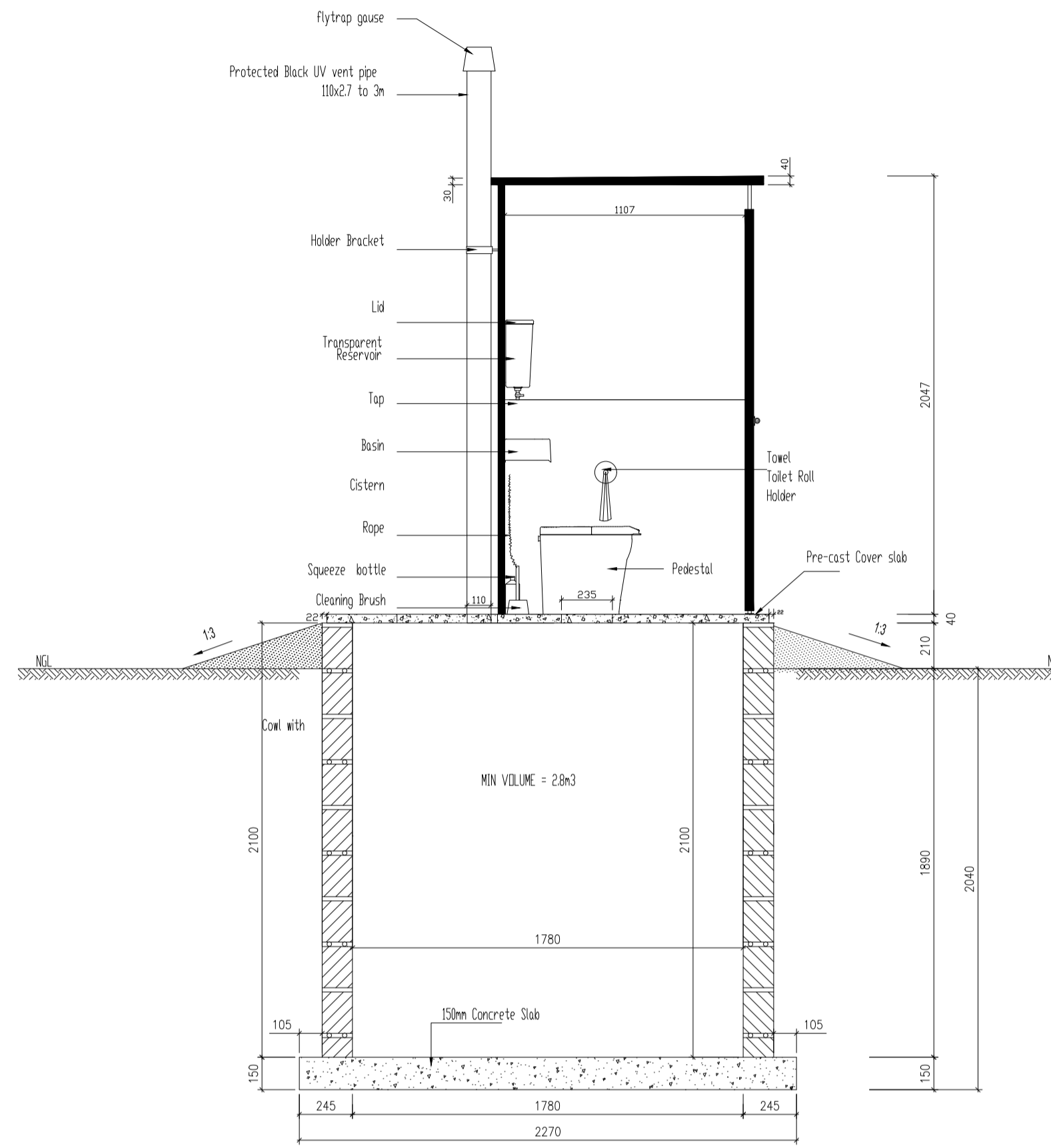
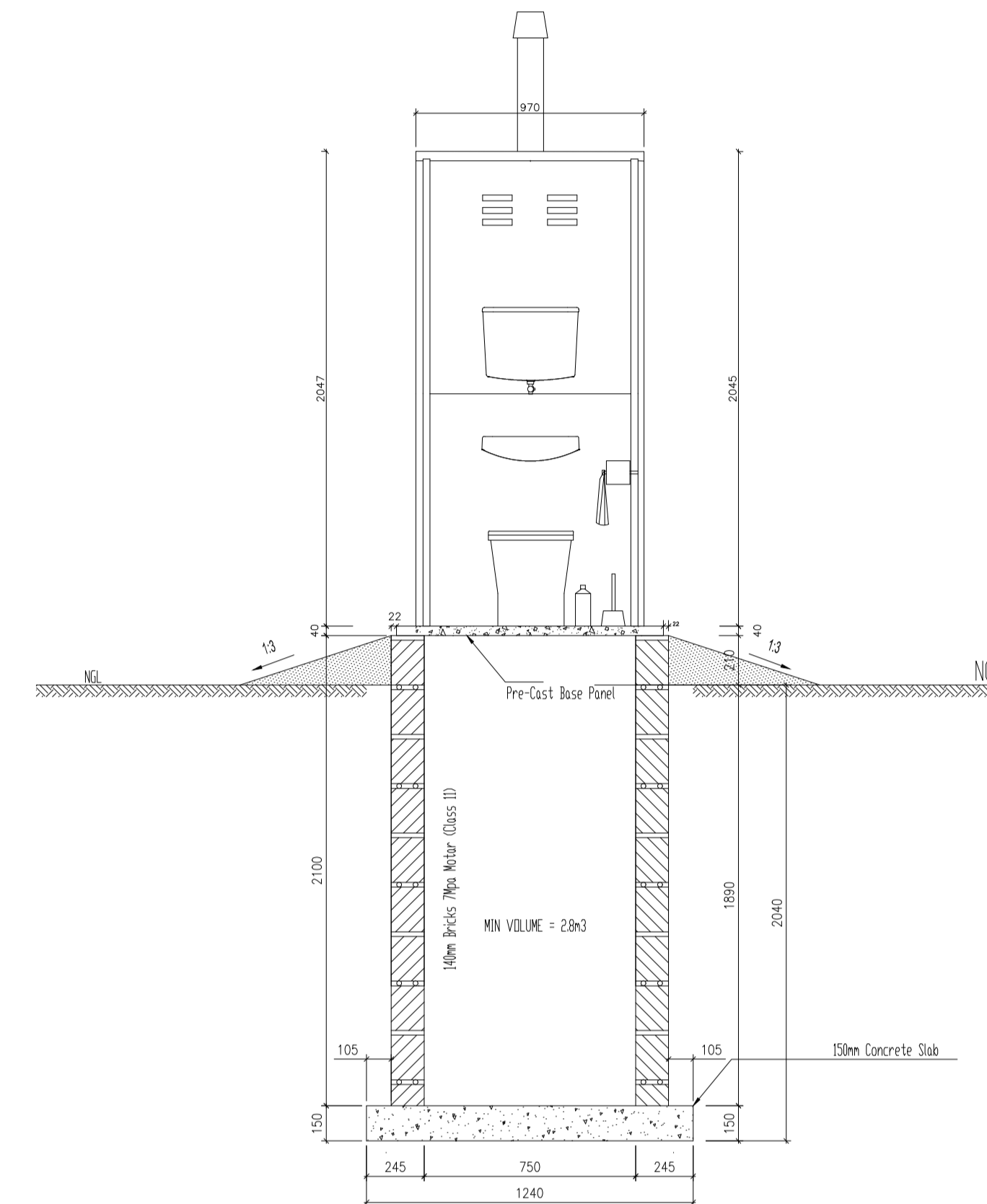


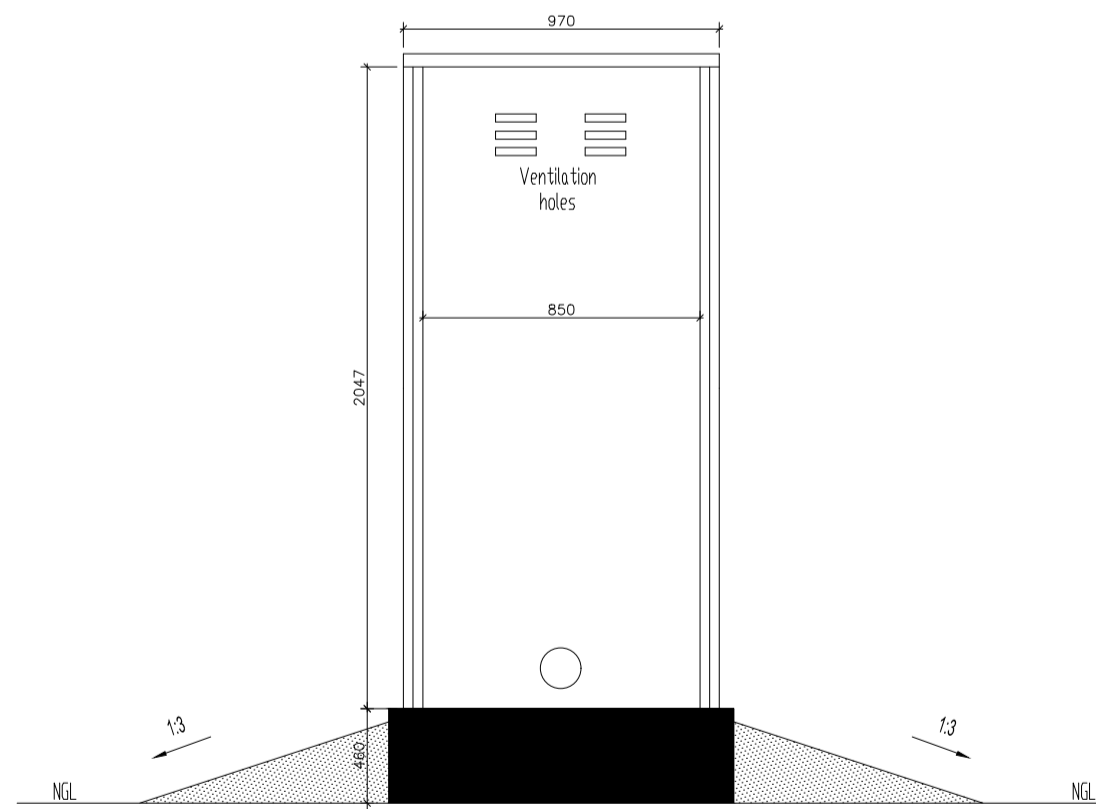
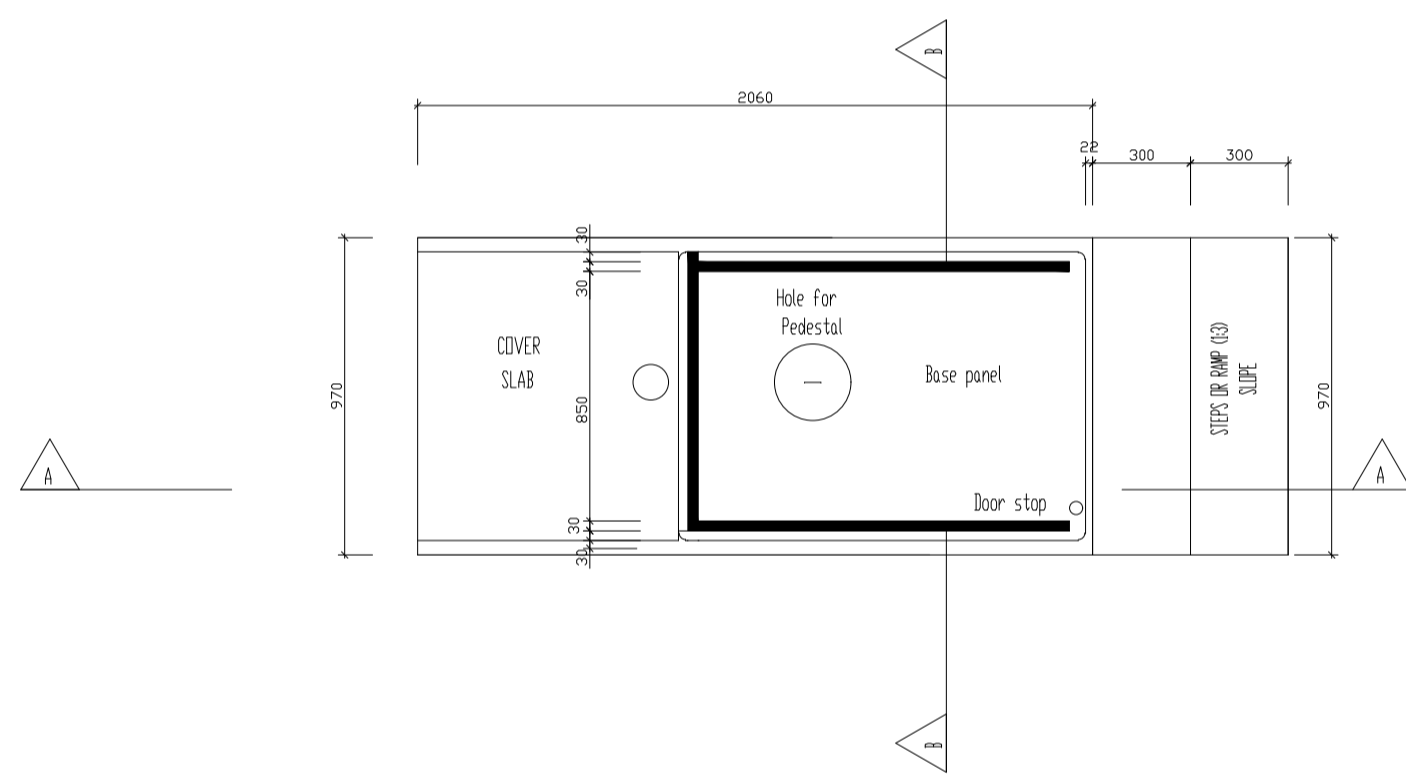
BRICKWORK LAYOUT
SCALE 1:25



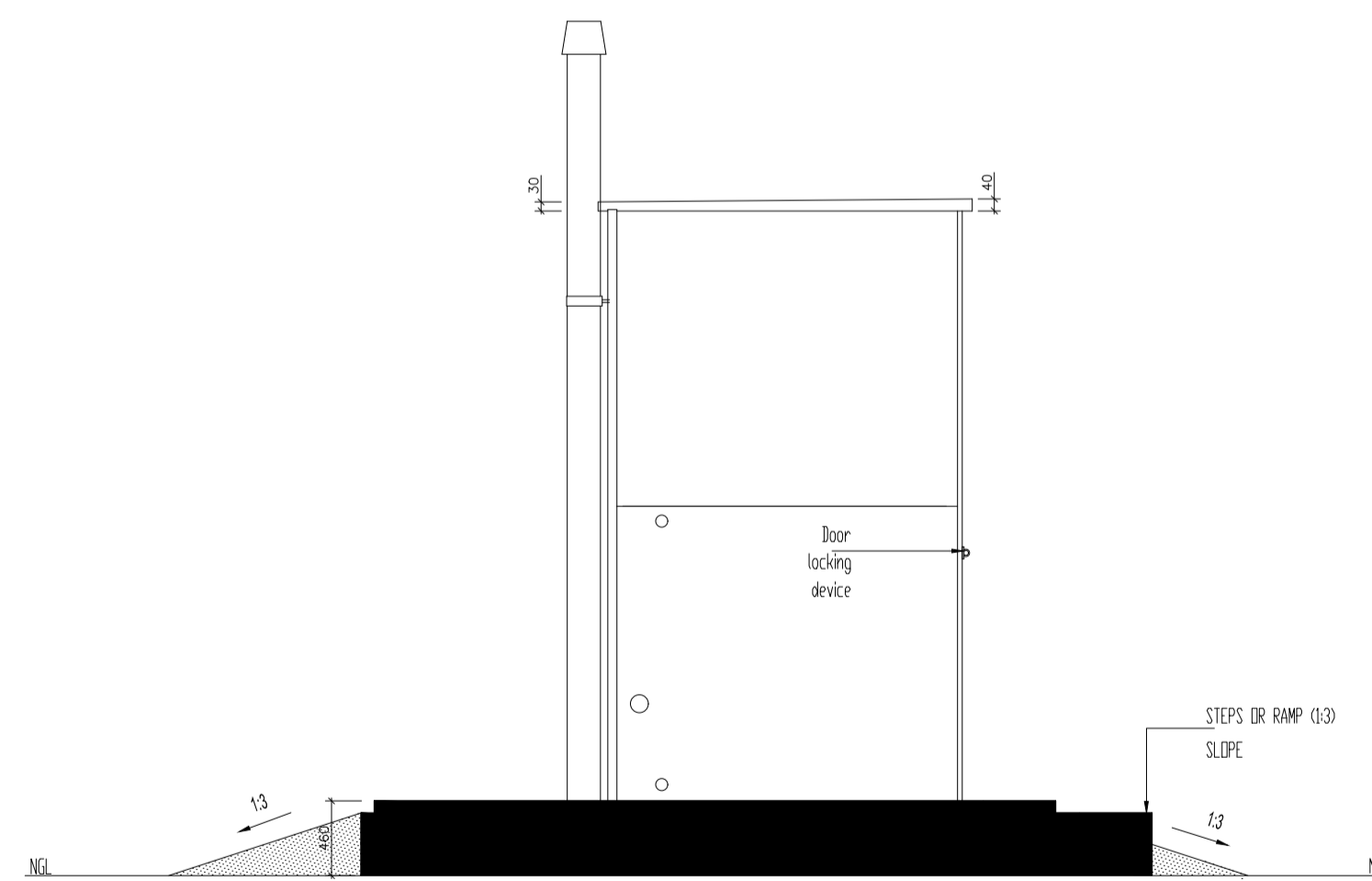
SECTION A-A
SCALE 1:25



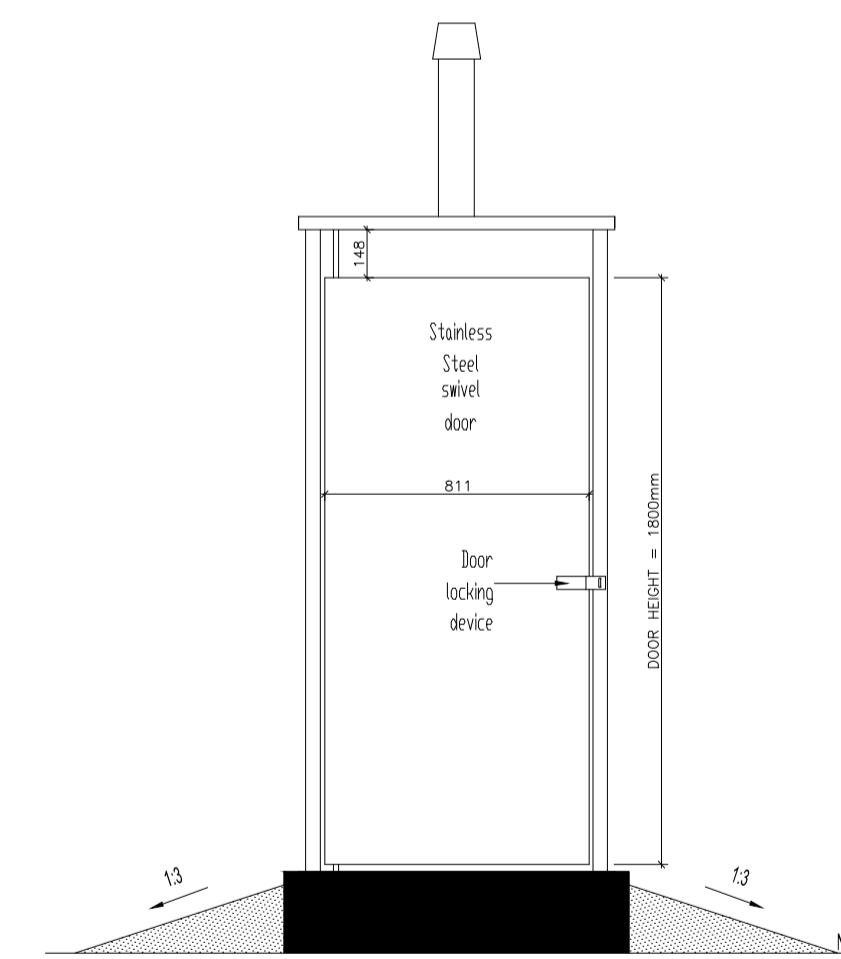
SECTION B-B
SCALE 1:25



BACK ELEVATION
SCALE 1:25



SIDE ELEVATION
SCALE 1:25



FRONT ELEVATION
SCALE 1:25

NOTE:
 * Bottom of Slab to be finish with Brickwork for total length of the slab.
 * No cavity between Brickwork and Slabs.

GENERAL NOTES:

All components of the superstructure (Walls slabs, roof slab, pit cover slab) are to be made of steel reinforced precast concrete of a minimum 30mpa strength

Precast components, in side and backwalls are to be manufactured as one piece each and to be joined together.
 No steel frame joined panel walling etc allowed.

The separate panels are sealed together with a weak mortar mix.
 Single assembly of the unit with a maximum of twelve (12) bolts for assembly of the toilet structure.

An vents provided at the top of the side and back wall panels with the roof overhanging to keep rain out.
 Floor slab to have a hole cast in with a cast in flange so as to accept "480 Type" pedestal.

A pit cover slab for de-sludging.
 When placing the pit cover slab onto a pit structure constructed of M4 blocks, Inner Foot print " of the pit needs to be a minimum of 1.75m2 so as to ensure adequate volume without excessively deep excavations.

An internal PVC vent pipe-110mm diameter, which must be secured to the toilet structure by cast in socket. The vent must extend to a minimum of 500mm above the roof and be black in colour.

Stainless steel door with negligible space below the toilet door in order to keep out snakes, scorpions, etc, but with vent slots cut into the lower 1/4 to allow crossventilation in the structure.

A quality dual opening door locking device, that is lockable inside and outside whilst being able to open on the inside when locked on the outside.

A toilet paper holder facility.

A toilet pedestal to be Environson VIP 480 or equivalent.

A hand washing facility of minimum 2L capacity provided.

Brick Force Every 2nd course of Blocks (110mm x 28mm - SABS Approved)

Dimensions for blocks = 220 x 110 x 75 (Ordinary bricks) or 290 x 140 x 140 or 440 x 200 x 160

Mix for blocks to be 1 cement : 8 sand by volume.

Mix for mortar to be 1 cement : 5 sand Mortar joints to be 10 to 15 mm thick.

Mix for strip footings to be 1 cement : 4 sand : 4 stone Max. stone size 19 mm

REV	DATE	DETAILS	STAT	CHK	APP



CAPRICORN DISTRICT MUNICIPALITY
 41 BICARD STREET
 PILOKwane, 0700
 Tel: 015 294 1000

PROJECT TITLE
CAPRICORN HOUSEHOLD SANITATION

DRAWING TITLE
PRECAST VIP SECTION DETAILS

DES'D: GKM	DATE: 01.06.24	DRAWN: NT	DATE: 01.06.24
CHK'D: MM	DATE: 01.06.24	APP'D: BN_PrTechEng	DATE: 01.06.24

A1 SCALE: AS STATED	REF DWGS:
DRAWING No. S-015-STD-02	REV. STAT. FT