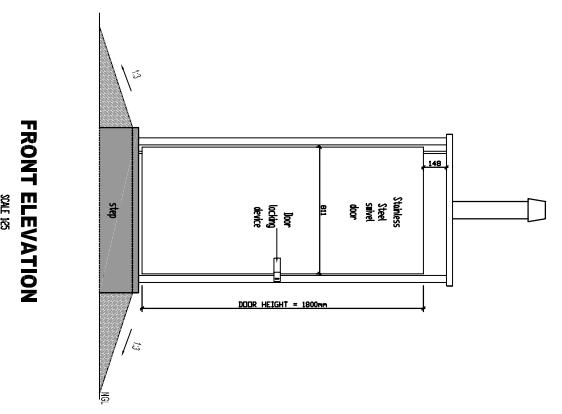
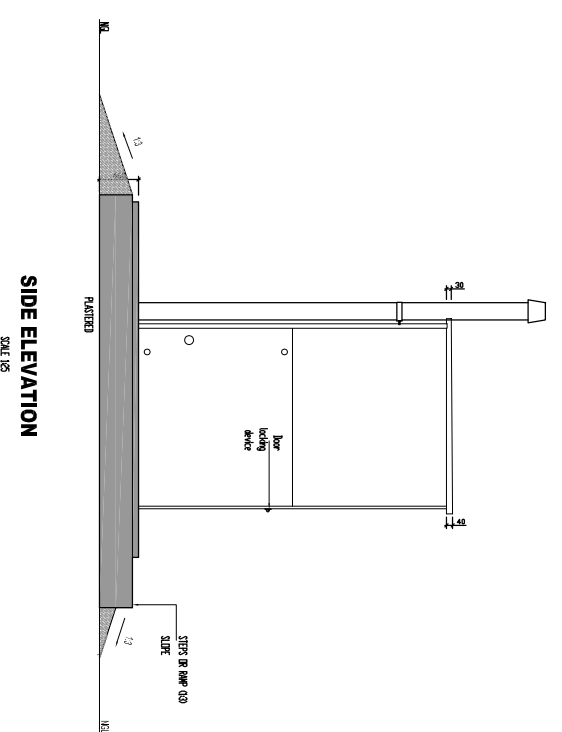
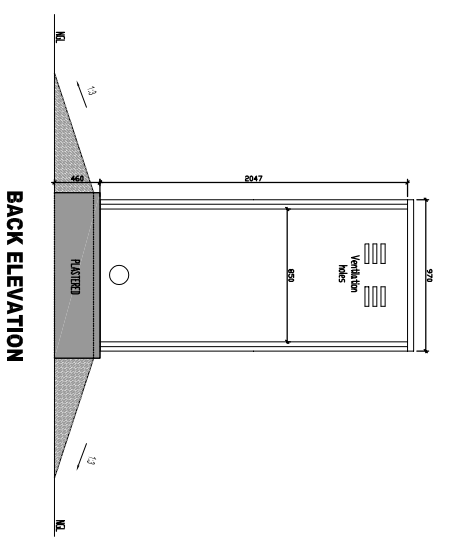


- CONSTRUCTION NOTES**
- ALL DIMENSIONS IN mm
 - ALL PANELS TO BE SECURED TO EACH OTHER WITH-CAST-IN PLUGS AND COATING PING
 - ALL STOCK/CEMENT BRICKS TO HAVE A MINIMUM COMPRESSIVE STRENGTH OF 10MPa
 - BRICKS TO BE LAID IN A CLASS II MORTAR (SABS 0164: PART 1 - 1980) WITH A 28 DAY COMPRESSIVE STRENGTH OF 7 MPa
 - BRICKFORCE (3mm) TO BE USED IN FIRST THREE COURSES ABOVE FOUNDATIONS AND IN EVERY 3RD COURSE IN THE REST OF THE WALLS
 - VENT PIPES SHALL BE SECURED TO WALL (500mm AND 1500mm FROM FLOOR SLAB) WITH SELF TAPPING, GALVANISED GUTTER BRACKETS AND WHERE POSSIBLE, GALVANISED GALVANISED M/S CLAMPS OR WIRE
 - 110Ø VENT PIPE PAINTED WITH TWO COATS BLACK ENAMEL PAINT WITH FLY SCREEN FIXED TO OUTLET WITH FREE BOARD
 - PIT TO BE LINED STOCK/CEMENT BRICKS INCLUDING 300mm IN-PLUGS
 - VIP PEDESTAL TO BE SECURED TO STRUCTURE WITH CAST-IN-PLUGS
 - SLABS TO HAVE HOLES IN POSITION AS SHOWN
 - 6 m³ REQUIRED FOR PIT LINING: LENGTH 2270 WIDTH 1230 DEPTH 2175
 - 10 m³ REQUIRED FOR SAFE WORKING SPACE: LENGTH 2770 WIDTH 1690 DEPTH 2175
 - BACKFILL AROUND THE PIT WALL TO BE WELL COMPACTED BEFORE SET UP OF TOP STRUCTURE
 - POSITION SLAB ON BRICK STRUCTURE AFTER 48 HOURS. ENSURE MORTAR BED BETWEEN SLAB BRICKWORK. ENSURE THAT SLAB IS PLACED LEVEL (USE SPIRIT LEVEL).
 - MORTAR MIX 1:3
 - FOUNDATION CONCRETE CLASS 19/MPa
 - ALL BUILDING WORK TO BE IN ACCORDANCE WITH SABS 1200

NOTES:

- BASE:**
- 2-No. BASE SLABS
 - 1.0m wide x 1.5m Long
 - Mass 186kg each x 2
- SIDE PANEL:**
- 1.1m long x 605mm high x 35mm thick
 - Mass 57kg
 - 4mm wires with fibres
- BACK PANEL:**
- 850mm wide x 605mm high x 35mm thick
 - Mass 40kg
 - 4mm wires with fibres
- TOP FRAME:**
- 1.6m galvanised channel post with 2.5mm thick base plate
 - 1BR roof 0.58mm galvanised steel welded to 25 x 25mm angle iron frames
 - Roof and posts fixed with 8 x 8mm cap square bolts / nuts.
 - Independent steel swivel door 1.6m high x 870mm wide.
 - Mass 24kg.



NOTE:
A Section of Slab to be cast with brickwork for full length of the slab to be cast between pediments and SABS.

CAPRICORN DISTRICT MUNICIPALITY

No.41, Bizard Street,
P.BAG 4100, Polokwane, 0700
Tel: 015 294 1000

PROJECT TITLE: SANITATION PROJECT	
DRAWING TITLE: PRECAST VIP DETAILS	
DRAWN: FC	DATE: 28/07/2023
SCALES: AS SHOWN	CHECKED: BN
DRAWING No. S-015-STD-02	REV.