

FRONT ELEVATION

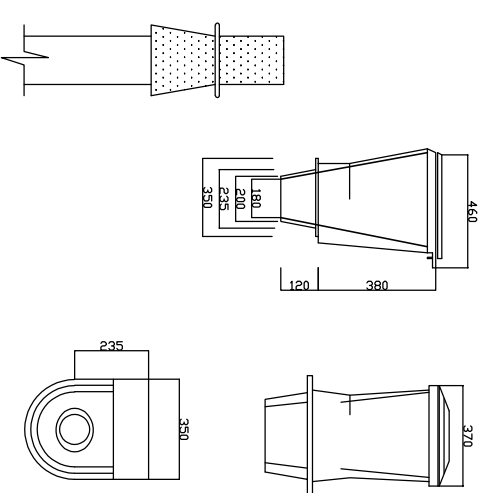
PRECAST DISABLED TOILET

N.T.S.

ISSUED FOR INFORMATION

- CONSTRUCTION NOTES**
1. ALL DIMENSIONS IN mm
 2. ALL PANELS TO BE SECURED TO EACH OTHER WITH-CAST-IN PLUGS AND COATING PING
 3. ALL STOCK/CEMENT BRICKS TO HAVE A MINIMUM COMPRESSIVE STRENGTH OF 10MPa
 4. BRICKS TO BE LAID IN A CLASS II MORTAR (SABS 0164: PART 1 - 1980) WITH A 28 DAY COMPRESSIVE STRENGTH OF 7 MPa
 5. BRICKFORCE (3mm) TO BE USED IN FIRST THREE COURSES ABOVE FOUNDATIONS AND IN EVERY 3RD COURSE IN THE REST OF THE WALLS
 6. VENT PIPES SHALL BE SECURED TO WALL (500mm AND 1500mm FROM FLOOR SLAB) WITH SELF TAPPING, GALVANISED GUTTER BRACKETS AND WHERE POSSIBLE, FACE NORTH
 7. 110ø VENT PIPE PAINTED WITH TWO COATS BLACK ENAMEL PAINT WITH FLY SCREEN FIXED TO OUTLET WITH GALVANISED M/S CLAMPS OR WIRE
 8. PIT TO BE LINED STOCK/CEMENT BRICKS INCLUDING 300mm FREE BOARD
 9. VIP PEDESTAL TO BE SECURED TO STRUCTURE WITH CAST-IN-PLUGS
 10. SLABS TO HAVE HOLES IN POSITION AS SHOWN
 11. EXCAVATING DIMENSIONS: LENGTH 2270 WIDTH 1230 DEPTH 2175
 12. BACKFILL AROUND THE PIT WALL TO BE WELL COMPACTED BEFORE SET UP OF TOP STRUCTURE
 13. POSITION SLAB ON BRICK STRUCTURE AFTER 48 HOURS. ENSURE MORTAR BED BETWEEN SLAB BRICKWORK. ENSURE THAT SLAB IS PLACED LEVEL (USE SPIRIT LEVEL).
 14. MORTAR MIX 1:3
 15. FOUNDATION CONCRETE CLASS 19/MPa
 16. ALL BUILDING WORK TO BE IN ACCORDANCE WITH SABS 1200

DETAILS OF TYPICAL FLYSCREEN FIXING



PEDESTAL DETAILS

DESCRIPTION	NOTES
FRAME	STD. 1.6m THICK PRESSED METAL SINGLE REBATE DOOR FRAME FOR 110mm THICK WALL. FRAME COMPLETE WITH 1 x PAIR BUTT HINGES
FRAME FINISH	1 x FACTORY COAT RED OXIDE PRIMER, SANDED 1 x APPROVED (SABS 981) UNIVERSAL UNDERCOAT AND 2 x COATS APPROVED (SABS 630) GLOSS ENAMEL. COLOUR TO DEP. OF WORKS
DOOR DESCRIPTION	PURPOSE MADE 22mm THICK RH PINS BRACED DOOR, OPENING OUTWARDS
DOOR FINISHING	DOOR SHALL BE PAINTED WITH THREE COATS OUTDOOR WOOD SEALER
IRONMONGERY AND SUNDRIES	DOOR HANDLE AS SUPPLIED BY MANUFACTURER OR FIT 100mm GALVANISED PADLOCKS BOTH INSIDE AND OUTSIDE

NOTES:

- BASE:**
- 2-No. BASE SLABS
 - 1.0m wide x 1.5m Long
 - Mass 186kg each x 2
- SIDE PANEL:**
- 1.1m long x 605mm high x 35mm thick
 - Mass 57kg
 - 4mm wires with fibres
- BACK PANEL:**
- 850mm wide x 605mm high x 35mm thick
 - Mass 40kg
 - 4mm wires with fibres
- TOP FRAME:**
- 1.6m galvanised channel post with 2.5mm thick base plate
 - 1BR roof 0.58mm galvanised steel welded to 25 x 25mm angle iron frames
 - Roof and posts fixed with 8 x 8mm cap square bolts / nuts.
 - Independent steel swivel door 1.6m high x 870mm wide.
 - Mass 24kg.

CAPRICORN DISTRICT MUNICIPALITY
 No.41, Bizard Street,
 P.BAG 41100, Polokwane, 0700
 Tel: 015 294 1000

PROJECT TITLE:	
SANITATION PROJECT	
DRAWING TITLE:	
FLOOR LAYOUT PLAN & ELEVATIONS	
DRAWN:	DATE:
FC	28/07/2023
SCALES:	CHECKED:
AS SHOWN	BN
DRAWING No.	REV.
S-015-STD-01	