



CAPRICORN DISTRICT MUNICIPALITY

BID NUMBER:

INF-W16/2023/2024

FOR

CAPRICORN HOUSEHOLD SANITATION-WSIG

WITHIN THE: LEPELLE NKUMPI LOCAL MUNICIPALITY

**4CEPE/5CE or Higher
DOCUMENT**

TENDER

THIS DOCUMENT IS COMPILED FOR:

CAPRICORN DISTRICT MUNICIPALITY

P.O BOX 4100

POLOKWANE

0700

Tel: +27 15 294 1000

Fax: +27 15 295 4010

Name of Bidder:			
Bid Amount Contract C (VAT Inclusive):			
BBBEE status:			
Bidder Address:			
CSD Supplier Number:			
Email Address:			
Contact numbers:	Cell:	Tel:	Fax:

Prepared by:

CAPRICORN DISTRICT MUNICIPALITY

P.O BOX 4100

POLOKWANE

0700

Tel: +27 15 294 1000

Fax: +27 15 295 4010



**EXPANDED PUBLIC WORKS PROGRAMME
CONTRIBUTING TO A NATION AT WORK**

Contents

Number	Heading	Colour	Page
The Bid			
Part T1: Bidding procedures		<i>White</i>	
T1.1	Bid Notice and Invitation to Bid		3
T1.2	Bid Data		4-20
Part T2: Returnable documents		<i>Pink</i>	
T2.1	List of Returnable Documents		21
T2.2	Returnable Schedules		22-47
The Contract			
Part C1: Agreement and Contract Data		<i>White</i>	
C1.1	Form of Offer and Acceptance		48-50
C1.2	Contract Data		51-58
C1.3	Form of Guarantee		59-60
C1.4	Occupational Health and Safety		61-63
Part C2: Special Conditions of Contract		<i>Orange</i>	
C2.1	Special Conditions of Contract		64-72
Part C3: Schedule of Quantities		<i>Yellow</i>	
C3.1	Preamble to Schedule of Quantities		73 -84
C3.2	Schedule of Quantities Summary		85
Part C4: Scope of Work		<i>White</i>	
C4.1	Scope of work		86-87
C4.2	Drawing Descriptions		88
C4.3	Procurement		89
C4.4	Construction		90-96
C4.5	Management		97-100
Part C5: Project Specification		<i>Green</i>	
C5.1	Project Specification		101-141
Part C6: OHS Specification for construction projects		<i>White</i>	
C6.1	Specification		142-154
Part C7: Site Information		<i>Green</i>	
C7.1	Site Information		155-156
Part C8: Drawings		<i>White</i>	
C8.1	Drawings		157



**TENDER NOTICE AND INVITATION TO TENDER
CAPRICORN DISTRICT MUNICIPALITY
LEPELLE NKUMPI CLUSTER
TO BE IMPLEMENTED IN LEPELLE NKUMPI LOCAL MUNICIPALITY**

CONTRACT No: INF-W16/2023/2024

Capricorn District Municipality, invites tenders for the construction of Capricorn Household Sanitation (LEPELLE NKUMPI) situated within the LEPELLE NKUMPI Local Municipality which is situated approximately 60km of Polokwane town.

S/N	Project No.	Project Description	Bid Closing date	Work Opportunities target	Point System	CIDB Grading
	INF-W16/2023/2024	Household Sanitation	22 September 2023 @11H00	40	80/20	4CEPE/5CE or Higher

Tenders are hereby invited from only tenderers who can demonstrate that they will have in their employ staff which satisfy EPWP requirements during the contract validity are eligible to submit tenders

Only Tenderers that have a CIDB contractor grading of **4CEPE/5CE or Higher** are eligible to submit bids. Joint ventures are also eligible to submit bids provided every member of the Joint Venture is registered with the CIDB and a combined grade of the Joint Venture calculated in accordance with the construction industry development regulations is equal to or higher than a contractor grading of **4CEPE/5CE or Higher**.

Tender documents will be available during office hours as from **14 September 2023 from** the office of the Capricorn District Municipality, 41 Biccard Street, Polokwane. A non-refundable cash tender deposit of R1429.00 is payable to secure a copy of the tender document. Queries relating to the issues of these documents may be addressed to Tiro Pilusa on 015 294 1210/1039.

There will be compulsory briefing on **14 September 2023 ,Lepelle Nkumpi Fire Station @10H00, S24° 14' 60.00" E: 29° 39' 59.99"**

Bids will be adjudicated in terms of the preferential procurement Policy Framework Act, 5/2000 in consultation with the CIDB Act. Bids will remain valid for 90 days. Capricorn District Municipality reserves the right to negotiate further conditions and requirements with the successful bidder.

Complete bid documents fully priced and signed, sealed in an envelope marked "**CONTRACT No. INF-W16/2023/2024, LEPELLE NKUMPI CLUSTER**" should be deposited in the Tender Box located in the foyer at the Capricorn District Municipality offices at 41 Biccard Street, Polokwane not later than 22 September 2023 @11H00. Tenders will be opened in public immediately after the closing time referred to above. Telegraphic, e-mail or Tele-fax transmission and late tenders will not be accepted for consideration and where feasible shall be returned to the sender.

The Tenderer must have a staff member who has completed, or, is registered for training towards, the NQF level 5 unit standard "Develop and Promote Labour Intensive Construction Strategies".

Ramakuntwane Selepe
Municipality Manager

CAPRICORN DISTRICT MUNICIPALITY
41 Biccard Street, Polokwane

INVITATION TO BID

YOU ARE HEREBY INVITED TO BID FOR REQUIREMENTS OF THE (NAME OF MUNICIPALITY/ENTITY)

BID NUMBER: **INF-W16/2023/2024**

CLOSING DATE: 22 September 2023 @11H00

DESCRIPTION: **CAPRICORN HOUSEHOLD SANITATION (LEPELLE NKUMPI CLUSTER)**

The successful bidder will be required to fill in and sign a written Contract Form (MBD 7).

BID DOCUMENTS MAY BE POSTED TO:

**CAPRICORN DISTRICT MUNICIPALITY OFFICES
41 BICCARD STREET
POLOKWANE
0700**

OR

DEPOSITED IN THE BID BOX SITUATED AT (STREET ADDRESS)

**CAPRICORN DISTRICT MUNICIPALITY OFFICES
41 BICCARD STREET
POLOKWANE
0700**

Bidders should ensure that bids are delivered timeously to the correct address. If the bid is late, it will not be accepted for consideration.

The bid box is generally open 24 hours a day, 7 days a week.

ALL BIDS MUST BE SUBMITTED ON THE OFFICIAL FORMS – (NOT TO BE RE-TYPED)

THIS BID IS SUBJECT TO THE PREFERENTIAL PROCUREMENT POLICY FRAMEWORK ACT AND THE PREFERENTIAL PROCUREMENT REGULATIONS, 2011, THE GENERAL CONDITIONS OF CONTRACT (GCC) AND, IF APPLICABLE, ANY OTHER SPECIAL CONDITIONS OF CONTRACT

NB: NO BIDS WILL BE CONSIDERED FROM PERSONS IN THE SERVICE OF THE STATE (as defined in Regulation 1 of the Local Government: Municipal Supply Chain Management Regulations)

**THE FOLLOWING PARTICULARS MUST BE FURNISHED
(FAILURE TO DO SO MAY RESULT IN YOUR BID BEING DISQUALIFIED)**

NAME OF BIDDER

POSTAL ADDRESS

STREET ADDRESS

TELEPHONE NUMBER CODE.....NUMBER.....

CELLPHONE NUMBER

FACSIMILE NUMBER CODENUMBER.....

E-MAIL ADDRESS

VAT REGISTRATION NUMBER

HAS AN ORIGINAL AND VALID TAX CLEARANCE CERTIFICATE BEEN ATTACHED? (MBD 2) YES/NO

HAS A B-BBEE STATUS LEVEL VERIFICATION CERTIFICATE BEEN SUBMITTED? (MBD 6.1) YES/NO

IF YES, WHO WAS THE CERTIFICATE ISSUED BY?

AN ACCOUNTING OFFICER AS CONTEMPLATED IN THE CLOSE CORPORATION ACT (CCA)

A VERIFICATION AGENCY ACCREDITED BY THE SOUTH AFRICAN NATIONAL ACCREDITATION SYSTEM (SANAS)

A REGISTERED AUDITOR

(Tick applicable box)

(A B-BBEE STATUS LEVEL VERIFICATION CERTIFICATE MUST BE SUBMITTED IN ORDER TO QUALIFY FOR PREFERENCE POINTS FOR B-BBEE)

ARE YOU THE ACCREDITED REPRESENTATIVE IN SOUTH AFRICA FOR THE GOODS/SERVICES/WORKS OFFERED? YES/NO
(IF YES ENCLOSE PROOF)

SIGNATURE OF BIDDER

DATE

CAPACITY UNDER WHICH THIS BID IS SIGNED

TOTAL BID PRICE..... TOTAL NUMBER OF ITEMS OFFERED

ANY ENQUIRIES REGARDING THE BIDDING PROCEDURE MAY BE DIRECTED TO:

Municipality / Municipal Entity: CAPRICORN DISTRICT MUNICIPALITY

Department: SUPPLY CHAIN DEPARTMENT

Contact Person: Tiro Pilusa

Tel: (015) 294 1210 OR (015) 294 1039

Fax: (015) 291 5697

ANY ENQUIRIES REGARDING TECHNICAL INFORMATION MAY BE DIRECTED TO:

Contact Person: Nditsheni Sikhauli

Tel: (015) 294 1144

Fax:

(015) 291 5697



CAPRICORN DISTRICT MUNICIPALITY

T1.2 Bid Data

The conditions of Bid are the Standard Conditions of Bid as contained in Annex F of the CIDB Standard for Uniformity in Construction Procurement. (see www.cidb.org.za) which are reproduced without amendment or alteration for the convenience of Bidders as an Annex to this Bid Data.

The Standard Conditions of Bid make several references to the Bid Data for details that apply specifically to this Bid. The Bid Data shall have precedence in the interpretation of any ambiguity or inconsistency between it and the standard conditions of Bid. Each item of data given below is cross-referenced to the clause in the Standard Conditions of Bid to which it mainly applies.

The additional conditions of Bid are:

Clause number	Bid Data
F.1.1	The employer is: Name: Capricorn District Municipality Address: PO BOX 4100, 41 Biccard Street, Polokwane Telephone: (015) 294 1000 Fax: (015) 291 5697
F.1.2	The Bid documents issued by the employer comprise: T1.1 Bid notice and invitation to Bid T1.2 Bid data T2.1 List of returnable documents T2.2 Returnable schedules Part 1: Agreements and contract data C1.1 Form of offer and acceptance C1.2 Contract data C1.3 Form of Guarantee C1.4 Occupational Health and Safety Part 2: Special Conditions of Contract C2.1 Special Conditions of Contract Part 3: Scope of work C3.1 Scope of work C3.2 Drawing Descriptions C3.3 Procurement C3.4 Construction C3.5 Management Part 4: Project Specification Part 5: Drawings Part 6: Site information Part 7: Schedule of Quantities C7.1 Preamble to Schedule of Quantities C7.2 Schedule of Quantities
F.1.4	The agent is: Name: CAPRICORN DISTRICT MUNICIPALITY
F.2.1	Only those tenderers who can demonstrate that they will have in their employ management and supervisory staff satisfying the requirement of the scope of work for labour-intensive competencies for supervisory and management staff during the validity of the contract are eligible to submit tenders

	<p>The tenderers must submit to the employer ,names of all management and supervisory staff that will be employed to supervise the labour –intensive portion of the works together with satisfactory evidence that such staff members satisfy eligibility requirements.</p>
F.2.1	<p>Only those Bidders who are registered with the CIDB, or are capable of being so prior to the evaluation of submissions, in a contractor grading designation equal to or higher than a contractor grading designation determined in accordance with the sum Bided for a 4CEPE/5CE or Higher class of construction work, are eligible to submit Bids.</p> <p>Joint ventures are eligible to submit Bids provided that:</p> <ol style="list-style-type: none"> 1. every member of the joint venture is registered with the CIDB; 2. the lead partner has a contractor grading designation in the 4CEPE/5CE or Higher class of construction work; and 3. the combined contractor grading designation calculated in accordance with the Construction Industry Development Regulations is equal to or higher than a contractor grading designation determined in accordance with the sum Bided for a 4CEPE/5CE or Higher class of construction work.
F.2.1	<p>The following Bidders who are registered with the CIDB, or are capable of being so registered prior to the evaluation of submissions, are eligible to submit Bids:</p> <ol style="list-style-type: none"> a) contractors who have a contractor grading designation equal to or higher than a contractor grading designation determined in accordance with the sum Bided for a 4CEPE/5CE or Higher class of construction work; and b) contractors registered as potentially emerging enterprises with the CIDB who are registered in one contractor grading designation lower than that required in terms of a) above and who satisfy the following criteria: <ol style="list-style-type: none"> i) The Department, following an interview with the management of the enterprise, is satisfied that the enterprise has the potential to develop and qualify to be registered in a higher contractor grading designation; and ii) The Department, following a risk assessment, is able to provide the necessary supportive measures required to enable the enterprise to successfully execute the contract. <p>Joint ventures are eligible to submit Bids provided that:</p> <ol style="list-style-type: none"> 1. every member of the joint venture is registered with the CIDB; 2. the lead partner has a contractor grading designation in the 4CEPE/5CE or Higher class of construction work; and 3. the combined contractor grading designation calculated in accordance with the Construction Industry Development Regulations is equal to or higher than a contractor grading designation determined in accordance with the sum Bided for a 4CEPE/5CE or Higher class of construction work.
F.2.7	<p>The arrangements for a compulsory clarification meeting are as stated in the Bid Notice and Invitation to Bid.</p> <p>Bidders must sign the attendance list in the name of the Biding entity. Addenda will be issued to and Bids will be received only from those Biding entities appearing on the attendance list.</p>

F.2.12	<p>No alternative Bid offers will be considered</p> <p>If a Bidder wishes to submit an alternative Bid offer, the only criteria permitted for such alternative Bid offer is that it demonstrably satisfies the Employer's standards and requirements, the details of which may be obtained from the Employer's Agent.</p> <p>Calculations, drawings and all other pertinent technical information and characteristics as well as modified or proposed Pricing Data must be submitted with the alternative Bid offer to enable the Employer to evaluate the efficacy of the alternative and its principal elements, to take a view on the degree to which the alternative complies with the Employer's standards and requirements and to evaluate the acceptability of the pricing proposals. Calculations must be set out in a clear and logical sequence and must clearly reflect all design assumptions. Pricing Data must reflect all assumptions in the development of the pricing proposal.</p> <p>Acceptance of an alternative Bid offer will mean acceptance in principle of the offer. It will be an obligation of the contract for the Bidder, in the event that the alternative is accepted, to accept full responsibility and liability that the alternative offer complies in all respects with the Employer's standards and requirements.</p> <p>The modified Pricing Data must include an amount equal to 5% of the amount Bided for the alternative offer to cover the Employer's costs of confirming the acceptability of the detailed design before it is constructed.</p>
F.2.13.3	Parts of each Bid offer communicated on paper shall be submitted as original, plus 2 copies.

F.2.13.5 F2.15.1	<p>The employer's address for delivery of Bid offers and identification details to be shown on each Bid offer package are:</p> <p>Location of Bid box: Tender Box Physical address: 41 Biccard Street, Polokwane, 0700 Identification details: CONTRACT No.: INF-W16/2023/2024 CAPRICORN HOUSEHOLD SANITATION (LEPELLE NKUMPI)</p> <p>Postal address: Box 4100, Polokwane, 0700</p>
F.2.13 F.3.5	A two-envelope procedure will not be followed.
F.2.15	The closing time for submission of Bid offers is as stated in the Bid Notice and Invitation to Bid.
F.2.15	Telephonic, telegraphic, telex, facsimile or e-mailed Bid offers will not be accepted.
F.2.16	The Bid offer validity period is 90 days
F.2.18	The tenderer must submit to the Employer, names of all management and supervisory staff that will be employed to supervise the labour-intensive portion of the works together with satisfactory evidence that such staff members satisfy the eligibility requirements.
F.2.19	Access shall be provided for inspections, tests and analysis.
F.2.23	<p>The Bidder is required to submit with his Bid a Certificate of Contractor Registration issued by the Construction Industry Development Board and a copy of an original valid Tax Clearance Certificate issued by the South African Revenue Services.</p> <p>Where a Bidder satisfies CIDB contractor grading designation requirements through joint venture formation, such Bidders must submit the Certificates of Contractor Registration in respect of each partner.</p>
F.3.4	Bids will be opened immediately after the closing time for Bids at Municipal Offices, at 41 Biccard Street, Polokwane.
	<p>The procedure for the evaluation of responsive Bids is Method 2</p> <p>The financial offer will be scored using Formula 2 (option 1) where the value of W_1 is:</p> <p>1) 80 where the financial value inclusive of VAT of all responsive Bids received have a value in excess of R 50 000 000.00; or</p> <hr/> <p>Up to 100 minus W_1 Bid evaluation points will be awarded to Bidders who complete the preference schedule and who are found to be eligible for the preference claimed.</p>

F.3.11	<p>A maximum of 100 minus W_1 Bid evaluation points will be awarded for the extent to which the Bided Contract Participation Goal exceeds the specified minimum. The basis of award of preference points is:</p> $N_p = \frac{(100 - W_1) \times (D - D_s)}{(X - D_s)}$ <p>Where D = Bided Contract Participation Goal. D_s = the minimum Contract Participation Goal below which no preference will be granted, namely,% X = the maximum Contract Participation Goal above which no further Bid evaluation points are awarded, namely %.</p>
F3.13.1	<p>Bid offers will only be accepted if:</p> <ol style="list-style-type: none"> a) the Bidder has in his or her possession an original valid Tax Clearance Certificate issued by the South African Revenue Services or has made arrangements to meet outstanding tax obligations; b) the Bidder is registered with the Construction Industry Development Board in an appropriate contractor grading designation; c) the Bidder or any of its directors is not listed on the Register of Bid Defaulters in terms of the Prevention and Combating of Corrupt Activities Act of 2004 as a person prohibited from doing business with the public sector; d) the Bidder has not: <ol style="list-style-type: none"> i) abused the Employer's Supply Chain Management System; or ii) failed to perform on any previous contract and has been given a written notice to this effect; and e) Bidder has completed the Compulsory Enterprise Questionnaire and there are no conflicts of interest which may impact on the Bidder's ability to perform the contract in the best interests of the employer or potentially compromise the Bid process. f) the Bidder does not have arrears on municipal rates and levies exceeding 3 months.
F.3.18	<p>The number of paper copies of the signed contract to be provided by the employer is one.</p>

Standard Conditions of Bid

F.1 General

F.1.1 Actions

The employer and each Bidder submitting a Bid offer shall comply with these conditions of Bid. In their dealings with each other, they shall discharge their duties and obligations as set out in F.2 and F.3, timeously and with integrity, and behave equitably, honestly and transparently.

F.1.2 Bid Documents

The documents issued by the employer for the purpose of a Bid offer are listed in the Bid data.

F.1.3 Interpretation

F.1.3.1 The Bid data and additional requirements contained in the Bid schedules that are included in the returnable documents are deemed to be part of these conditions of Bid.

F.1.3.2 These conditions of Bid, the Bid data and Bid schedules which are only required for Bid evaluation purposes, shall not form part of any contract arising from the invitation to Bid.

F.1.3.3 For the purposes of these conditions for the calling for expressions of interest, the following definitions apply:

- a) **Comparative offer** means the Bidder's financial offer after the factors of non-firm prices, all unconditional discounts and any other Bided parameters that will affect the value of the financial offer have been taken into consideration
- b) **Corrupt practice** means the offering, giving, receiving or soliciting of anything of value to influence the action of the employer or his staff or agents in the Bid process; and
- c) **Fraudulent practice** means the misrepresentation of the facts in order to influence the Bid process or the award of a contract arising from a Bid offer to the detriment of the employer, including collusive practices intended to establish prices at artificial levels
- d) **Quality (functionality)** means the totality of features and characteristics of a product or service that bear on its ability to satisfy stated or implied needs

F.1.4 Communication and employer's agent

Each communication between the employer and a Bidder shall be to or from the employer's agent only, and in a form that can be read, copied and recorded. Writing shall be in the English language. The employer shall not take any responsibility for non-receipt of communications from or by a Bidder. The name and contact details of the employer's agent are stated in the Bid data.

F.1.5 The employer's right to accept or reject any Bid offer

F.1.5.1 The employer may accept or reject any variation, deviation, Bid offer, or alternative Bid offer, and may cancel the Bid process and reject all Bid offers at any time before the formation of a contract. The employer shall not accept or incur any liability to a Bidder for such cancellation and rejection, but will give written reasons for such action upon written request to do so.

F.1.5.2 The employer may not subsequent to the cancellation or abandonment of a Bid process or the rejection of all responsive Bid offers re-issue a Bid covering substantially the same scope of work within a period of six months unless only one Bid was received and such Bid was returned unopened to the Bidder.

F.2 Bidder's obligations

F.2.1 Eligibility

Submit a Bid offer only if the Bidder complies with the criteria stated in the Bid data and the Bidder, or any of his principals, is not under any restriction to do business with employer.

F.2.2 Cost of Bidding

Accept that the employer will not compensate the Bidder for any costs incurred in the preparation and submission of a Bid offer, including the costs of any testing necessary to demonstrate that aspects of the offer satisfy requirements.

F.2.3 Check documents

Check the Bid documents on receipt for completeness and notify the employer of any discrepancy or omission.

F.2.4 Confidentiality and copyright of documents

Treat as confidential all matters arising in connection with the Bid. Use and copy the documents issued by the employer only for the purpose of preparing and submitting a Bid offer in response to the invitation.

F.2.5 Reference documents

Obtain, as necessary for submitting a Bid offer, copies of the latest versions of standards, specifications, conditions of contract and other publications, which are not attached but which are incorporated into the Bid documents by reference.

F.2.6 Acknowledge addenda

Acknowledge receipt of addenda to the Bid documents, which the employer may issue, and if necessary apply for an extension to the closing time stated in the Bid data, in order to take the addenda into account.

F.2.7 Clarification meeting

Attend **compulsory a clarification meeting** at which Bidders may familiarize themselves with aspects of the proposed work, services or supply and raise questions. Details of the meeting(s) are stated in the Bid data.

F.2.8 Seek clarification

Request clarification of the Bid documents, if necessary, by notifying the employer at least five working days before the closing time stated in the Bid data.

F.2.9 Insurance

Be aware that the extent of insurance to be provided by the employer (if any) may not be for the full cover required in terms of the conditions of contract identified in the contract data. The Bidder is advised to seek qualified advice regarding insurance.

F.2.10 Pricing the Bid offer

- F.2.10.1** Include in the rates, prices, and the Bided total of the prices (if any) all duties, taxes (except Value Added Tax (VAT), and other levies payable by the successful Bidder, such duties, taxes and levies being those applicable 14 days before the closing time stated in the Bid data.
- F.2.10.2** Show VAT payable by the employer separately as an addition to the Bided total of the prices.
- F.2.10.3** Provide rates and prices that are fixed for the duration of the contract and not subject to adjustment except as provided for in the conditions of contract identified in the contract data.
- F.2.10.4** State the rates and prices in Rand unless instructed otherwise in the Bid data. The conditions of contract identified in the contract data may provide for part payment in other currencies.

F.2.11 Alterations to documents

Not make any alterations or additions to the Bid documents, except to comply with instructions issued by the employer, or necessary to correct errors made by the Bidder. All signatories to the Bid offer shall initial all such alterations. Erasures and the use of masking fluid are prohibited.

F.2.12 Alternative Bid offers

- F.2.12.1** Submit alternative Bid offers only if a main Bid offer, strictly in accordance with all the requirements of the Bid documents, is also submitted. The alternative Bid offer is to be submitted with the main Bid offer together with a schedule that compares the requirements of the Bid documents with the alternative requirements the Bidder proposes.
- F.2.12.2** Accept that an alternative Bid offer may be based only on the criteria stated in the Bid data or criteria otherwise acceptable to the employer.

F.2.13 Submitting a Bid offer

- F.2.13.1** Submit a Bid offer to provide the whole of the works, services or supply identified in the contract data and described in the scope of works, unless stated otherwise in the Bid data.
- F.2.13.2** Return all returnable documents to the employer after completing them in their entirety, either electronically (if they were issued in electronic format) or by writing in black ink.
- F.2.13.3** Submit the parts of the Bid offer communicated on paper as an original plus the number of copies stated in the Bid data, with an English translation of any documentation in a language other than English, and the parts communicated electronically in the same format as they were issued by the employer.
- F.2.13.4** Sign the original and all copies of the Bid offer where required in terms of the Bid data. The employer will hold all authorized signatories liable on behalf of the Bidder. Signatories for Bidders proposing to contract as joint ventures shall state which of the signatories is the lead partner, whom the employer shall hold liable for the purpose of the Bid offer.
- F.2.13.5** Seal the original and each copy of the Bid offer as separate packages marking the packages as "ORIGINAL" and "COPY". Each package shall state on the outside the employer's address and identification details stated in the Bid data, as well as the Bidder's name and contact address.
- F.2.13.6** Where a two-envelope system is required in terms of the Bid data, place and seal the returnable documents listed in the Bid data in an envelope marked "financial proposal" and place the remaining returnable documents in an envelope marked "technical proposal". Each envelope shall state on the outside the employer's address and identification details stated in the Bid data, as well as the Bidder's name and contact address.

F.2.13.7 Seal the original Bid offer and copy packages together in an outer package that states on the outside only the employer's address and identification details as stated in the Bid data.

F.2.13.8 Accept that the employer shall not assume any responsibility for the misplacement or premature opening of the Bid offer if the outer package is not sealed and marked as stated.

F.2.14 Information and data to be completed in all respects

Accept that Bid offers, which do not provide all the data or information requested completely and in the form required, may be regarded by the employer as non-responsive.

F.2.15 Closing time

F.2.15.1 Ensure that the employer receives the Bid offer at the address specified in the Bid data not later than as stated in the Bid data. Proof of posting shall not be accepted as proof of delivery. The employer shall not accept Bid offers submitted by telegraph, telex, facsimile or e-mail, unless stated otherwise in the Bid data.

F.2.15.2 Accept that, if the employer extends the closing time stated in the Bid data for any reason, the requirements of these conditions of Bid apply equally to the extended deadline.

F.2.16 Bid offer validity

F.2.16.1 Hold the Bid offer(s) valid for acceptance by the employer at any time during the validity period stated in the Bid data after the closing time stated in the Bid data.

F.2.16.2 If requested by the employer, consider extending the validity period stated in the Bid data for an agreed additional period.

F.2.17 Clarification of Bid offer after submission

Provide clarification of a Bid offer in response to a request to do so from the employer during the evaluation of Bid offers. This may include providing a breakdown of rates or prices and correction of arithmetical errors by the adjustment of certain rates or item prices (or both). No change in the total of the prices or substance of the Bid offer is sought, offered, or permitted. **The total of the prices stated by the Bidder shall be binding upon the Bidder.**

Note: Sub-clause F.2.17 does not preclude the negotiation of the final terms of the contract with a preferred Bidder following a competitive selection process, should the Employer elect to do so.

F.2.18 Provide other material

F.2.18.1 Provide, on request by the employer, any other material that has a bearing on the Bid offer, the Bidder's commercial position (including notarized joint venture agreements), preferencing arrangements, or samples of materials, considered necessary by the employer for the purpose of a full and fair risk assessment. Should the Bidder not provide the material, or a satisfactory reason as to why it cannot be provided, by the time for submission stated in the employer's request, the employer may regard the Bid offer as non-responsive.

F.2.18.2 Dispose of samples of materials provided for evaluation by the employer, where required.

F.2.19 Inspections, tests and analysis

Provide access during working hours to premises for inspections, tests and analysis as provided for in the Bid data.

F.2.20 Submit securities, bonds, policies, etc

If requested, submit for the employer's acceptance before formation of the contract, all securities, bonds, guarantees, policies and certificates of insurance required in terms of the conditions of contract identified in the contract data.

F.2.21 Check final draft

Check the final draft of the contract provided by the employer within the time available for the employer to issue the contract.

F.2.22 Return of other Bid documents

If so instructed by the employer, return all retained Bid documents within 28 days after the expiry of the validity period stated in the Bid data.

F.2.23 Certificates

Include in the Bid submission or provide the employer with any certificates as stated in the Bid data.

F.3 The employer's undertakings

F.3.1 Respond to clarification

Respond to a request for clarification received up to five working days prior to the Bid closing time stated in the Bid Data and notify all Bidders who drew procurement documents.

F.3.2 Issue Addenda

If necessary, issue addenda that may amend or amplify the Bid documents to each Bidder during the period from the date of the Bid Notice until seven days before the Bid closing time stated in the Bid Data. If, as a result a Bidder applies for an extension to the closing time stated in the Bid Data, the Employer may grant such extension and, will then notify it to all Bidders who drew documents.

F.3.3 Return late Bid offers

Return Bid offers received after the closing time stated in the Bid Data, unopened, (unless it is necessary to open a Bid submission to obtain a forwarding address), to the Bidder concerned.

F.3.4 Opening of Bid submissions

F.3.4.1 Unless the two-envelope system is to be followed, open valid Bid submissions in the presence of Bidders' agents who choose to attend at the time and place stated in the Bid data. Bid submissions for which acceptable reasons for withdrawal have been submitted will not be opened.

F.3.4.2 Announce at the opening held immediately after the opening of Bid submissions, at a venue indicated in the Bid data, the name of each Bidder whose Bid offer is opened, the total of his prices, preferences claimed and time for completion, if any, for the main Bid offer only.

F.3.4.3 Make available the record outlined in F.3.4.2 to all interested persons upon request.

F.3.5 Two-envelope system

A two-envelope procedure will not be followed in this contract.

F.3.6 Non-disclosure

Not disclose to Bidders, or to any other person not officially concerned with such processes, information relating to the evaluation and comparison of Bid offers, the final evaluation price and recommendations for the award of a contract, until after the award of the contract to the successful Bidder.

F.3.7 Grounds for rejection and disqualification

Determine whether there has been any effort by a Bidder to influence the processing of Bid offers and instantly disqualify a Bidder (and his Bid offer) if it is established that he engaged in corrupt or fraudulent practices.

F.3.8 Test for responsiveness

Determine, on opening and before detailed evaluation, whether each Bid offer properly received:

- a) Meets the requirements of these Conditions of Bid,
- b) Has been properly and fully completed and signed, and
- c) is responsive to the other requirements of the Bid documents.

A responsive Bid is one that conforms to all the terms, conditions, and specifications of the Bid documents without material deviation or qualification. A material deviation or qualification is one which, in the Employer's opinion, would:

- Detrimentally affect the scope, quality, or performance of the works, services or supply identified in the Scope of Work,
- Change the Employer's or the Bidder's risks and responsibilities under the contract, or
- Affect the competitive position of other Bidders presenting responsive Bids, if it were to be rectified.

Reject a non-responsive Bid offer, and not allow it to be subsequently made responsive by correction or withdrawal of the non-conforming deviation or reservation.

F.3.9 Arithmetical errors

Check responsive Bid offers for arithmetical errors, correcting them in the following manner:

- Where there is a discrepancy between the amounts in figures and in words, the amount in words shall govern.
- If a bill of quantities (or schedule of rates) apply and there is an error in the line item total resulting from the product of the unit rate and the quantity, the line item total shall govern and the rate shall be corrected. Where there is an obviously gross misplacement of the decimal point in the unit rate, the line item total as quoted shall govern, and the unit rate will be corrected.
- Where there is an error in the total of the prices either as a result of other corrections required by this checking process or in the Bidder's addition of prices, the total of the prices shall govern and the Bidder will be asked to revise selected item prices (and their rates if a bills of quantities applies) to achieve the Bided total of the prices.

Consider the rejection of a Bid offer if the Bidder does not correct or accept the correction of his arithmetical errors in the manner described above.

F.3.10 Clarification of a Bid offer

Obtain clarification from a Bidder on any matter that could give rise to ambiguity in a contract arising from the Bid offer.

F.3.11 Evaluation of Bid offers

F3.11.1 General

Step 1

Bidders will firstly be evaluated on their responsiveness.

This includes the following

1. Valid Tax Clearance Certificate
2. Attended Compulsory Site meeting
3. Authority of Signatory
4. Signing of Form of Offer
5. BOQ filled in using a black pen
6. Alterations signed
7. CIDB grading
8. CSD certificate/report
9. Returnable schedules under section T2.1

Step 2

According to the MFMA Circular No. 53 of the Municipal Finance Act No. 56 of 2003. Bidders will firstly be evaluated on Functionality. The minimum Score for functionality is 60 points

Only the qualifying Tenderers will be evaluated on Method 2.

The following is the criteria that the Bidders will be evaluated for Functionality:

FUNCTIONALITY COMPETENCE ACHIEVEMENT SCHEDULES

TABLE A1: COMPANY EXPERIENCE (EXPERIENCE IN SIMILAR PROJECTS)

	TARGETED GOALS Name reference with contact details	TENDERED GOAL	POINTS CLAIMED BY TENDERER	ALLOCATED POINTS
1	More than 5 projects	20		
2	2 -4 projects	10		
3	1 project	5		
	MAXIMUM POINTS	20		

N.B: TENDERERS TO SUBMIT NAMES COMPLETE WITH VALID CONTACT DETAILS. ATTACH APPOINTMENT LETTERS AND COMPLETION CERTIFICATES FOR THE LISTED PROJECTS. NON-SUBMISSION WILL RESULT IN LOSS OF POINTS.

TABLE A2: FINANCIAL REFERENCES

	TARGETED GOALS	TENDERED GOAL	POINTS CLAIMED BY TENDERER	ALLOCATED POINTS
1	Tenderer submitted banking details proof attached	5		
2	Bank rating of "C" or better	5		
3	Letter of intent from a registered financial institution as a guarantor in the amount of 10% as specified for surety purposes shall be submitted.	10		
	MAXIMUM POINTS	20		

N.B: TENDERERS TO SUBMIT PROOF. NON-SUBMISSION WILL RESULT IN LOSS OF POINTS.

TABLE A3: KEY PERSONEL EXPERIENCE & SPECIFIC KNOWLEDGE

	TARGETED GOALS	TENDERED GOAL	POINTS Claimed by tenderer	ALLOCATED POINTS
1	Site agent 5 years labour intensive construction experience	10		
2	Site agent 5 years' experience in sanitation projects	10		
3	Site agent trained in labour intensive construction methods at least NQF 2	5		
4	Site agent has NQF Level 5 Unit Standard "Develop & Promote Labour Intensive Construction Strategies".	20		
	MAXIMUM POINTS	40		

N.B.: TENDERERS TO SUBMIT CURRICULUM VITAE & CERTIFICATES OF SITE AGENT AND COMPANY PROFILE. NON-SUBMISSION WILL RESULT IN LOSS OF POINTS.

TABLE A4: PLANT AND EQUIPMENT

	TARGETED GOALS	TENDERED GOAL	POINTS Claimed by tenderer	ALLOCATED POINTS
1	1 TLB	5		
2	1 LDV truck 1 tonne	5		
3	2 Tipper trucks or 1 tipper truck & 1 flatbed truck	5		
4	1 Water truck (10000lt)	5		
	SUB-TOTAL : Plant and Equipment	20		

N.B: TENDERERS TO SUBMIT VEHICLE/EQUIPMENT OWNERSHIP PROOF OR LETTER OF INTENT TO HIRE. NON SUBMISSION WILL RESULT IN LOSS OF POINTS.

THE MIINIMUM SCORE FOR FUNCTIONALITY IS 60 points

Step 3

Price Contribution. Reduce each responsive Bid offer to a comparative offer and evaluate it using the Bid evaluation method that is indicated in the Bid Data and described below:

Method 2: Financial offer, and preferences	1) Score Bid evaluation points for financial offer.
	2) Confirm that Bidders are eligible for the preferences claimed, and if so, score Bid evaluation points for preferencing.
	3) Calculate total Bid evaluation points.
	4) Rank Bid offers from the highest number of Bid evaluation points to the lowest.
	5) Recommend Bidders with the highest number of Bid evaluation points for the award of the contract, unless there are compelling and justifiable reasons not to do so.

Score financial offers, preferences and quality, as relevant, to two decimal places.

3.1. POINTS AWARDED FOR PRICE

3.1.1 THE 80/20 PREFERENCE POINT SYSTEMS

A maximum of 80 points is allocated for price on the following basis:

80/20

$$Ps = 80 \left(1 - \frac{Pt - Pmin}{Pmin} \right)$$

Where

Ps = Points scored for price of tender under consideration

Pt = Price of tender under consideration

Pmin = Price of lowest acceptable tender

4. POINTS AWARDED FOR SPECIFIC GOALS

4.1. In terms of Regulation 4(2); 5(2); 6(2) and 7(2) of the Preferential Procurement Regulations, preference points must be awarded for specific goals stated in the tender. For the purposes of this tender the tenderer will be allocated points based on the goals stated in table 1 below as may be supported by proof/ documentation stated in the conditions of this tender:

4.2. In cases where organs of state intend to use Regulation 3(2) of the Regulations, which states that, if it is unclear whether the 80/20 or 90/10 preference point system applies, an organ of state must, in the tender documents, stipulate in the case of—

(a) any other invitation for tender, that either the 80/20 or 90/10 preference point system will apply and that the lowest acceptable tender will be used to determine the applicable preference point system,

then the organ of state must indicate the points allocated for specific goals for both the 90/10 and 80/20 preference point system.

Table 1: Specific goals for the tender and points claimed are indicated per the table below.

80/20 preference point system is applicable, corresponding points must also be indicated as such.

Note to tenderers: The tenderer must indicate how they claim points for each preference point system and proof (identity document and/or medical report) should be submitted). Failure to submit proof will result in loss of specific goals points.

The specific goals allocated points in terms of this tender	Number of points allocated (80/20 system) (To be completed by the organ of state)	Percentage of ownership on specific goal (To be completed by the tenderer)	Number of points claimed. (80/20 system) (To be completed by the tenderer)	Verification of points claimed) (To be completed by the organ of state)

Owned by black South African people (Male or female)	5			
Owned by people who are women (of all races)	5			
Owned by black South African people who are youth	5			
Owned by people with disabilities	5			
Total points claimed	20			

Table 2: Business entity ownership disclosure
Bidders must list all shareholders and provide ownership information in terms of the business entity registration certificate

Full Name	Identity Number	% Owned	South African (Yes/No)	Gender	Race	Youth (Yes/No)	Disable (Yes/ No)

F.3.11.2 Scoring Financial Offers

Score the financial offers of remaining responsive Bid offers using the following formula:

$N_{FO} = W_1 \times A$ where:

N_{FO} = the number of Bid evaluation points awarded for the financial offer.

W_1 = the maximum possible number of Bid evaluation points awarded for the financial offer as stated in the Bid Data.

A = a number calculated using either formulas 1 or 2 below as stated in the Bid Data.

Formula	Basis for comparison	Option 1	Option 2
1	Highest price or discount	$(1 + \frac{(P - P_m)}{P_m})$	P/P_m

where:

P_m = the comparative offer of the most favourable Bid offer.

P = the comparative offer of Bid offer under consideration.

F.3.11.3 Scoring quality (functionality)

Score quality in each of the categories stated in the Bid Data and calculate total score for quality.

F.3.12 Insurance provided by the employer

If requested by the proposed successful Bidder, submit for the Bidder's information the policies and / or certificates of insurance which the conditions of contract identified in the contract data, require the employer to provide.

F.3.13 Acceptance of Bid offer

F.3.13.1 Accept Bid offer only if the Bidder satisfies the legal requirements stated in the Bid Data.

F.3.13.2 Notify the successful Bidder of the employer's acceptance of his Bid offer by completing and returning one copy of the form of offer and acceptance before the expiry of the validity period stated in the Bid data, or agreed additional period. Providing the form of offer and acceptance does not contain any qualifying statements, it will constitute the formation of a contract between the employer and the successful Bidder as described in the form of offer and acceptance.

F.3.14 Notice to unsuccessful Bidders

After the successful Bidder has acknowledged the employer's notice of acceptance, notify other Bidders that their Bid offers have not been accepted.

F.3.15. Prepare contract documents

If necessary, revise documents that shall form part of the contract and that were issued by the employer as part of the Bid documents to take account of:

- a) addenda issued during the Bid period,
- b) inclusion of some of the returnable documents,
- c) other revisions agreed between the employer and the successful Bidder, and
- d) the schedule of deviations attached to the form of offer and acceptance, if any.

F.3.16 Issue final contract

Prepare and issue the final draft of contract documents to the successful Bidder for acceptance as soon as possible after the date of the employer's signing of the form of offer and acceptance (including the schedule of deviations, if any). Only those documents that the conditions of Bid require the Bidder to submit, after acceptance by the employer, shall be included.

F.3.17 Complete adjudicator's contract

Unless alternative arrangements have been agreed or otherwise provided for in the contract, arrange for both parties to complete formalities for appointing the selected adjudicator at the same time as the main contract is signed.

F.3.18 Provide copies of the contracts

Provide to the successful Bidder the number of copies stated in the Bid Data of the signed copy of the contract as soon as possible after completion and signing of the form of offer and acceptance.



CAPRICORN DISTRICT MUNICIPALITY

T2.1 List of Returnable Documents

The Bidder must complete the following returnable documents:

1 Returnable Schedules required only for Bid evaluation purposes

- Record of Addenda to Bid Documents
- Certificate of authority for joint ventures (where applicable)
- Schedule of Subcontractors
- Schedule of Plant and Equipment
- Schedule of the Bidder's Experience
- Proposed Amendments and Qualifications
- Municipal statement on Bidder's rates and taxes
- Schedule of personnel & employees
- Preliminary programme
- Signatory of authority (Power of attorney)
- Site inspection certificate
- CIDB Certificate
- CSD registration certificate/report

2 Other documents required only for Bid evaluation purposes

- Certificate of Contractor Registration issued by the Construction Industry Development Board
- MBD 2: An original valid Tax Clearance Certificate issued by the South African Revenue Services.
- MBD 8: Declaration Of Bidder's Past Supply Chain Management Practices
- MBD 9: Certificate Of Independent Bid Determination

3 Returnable Schedules that will be incorporated into the contract

- MBD 3.1: Pricing Schedule – Firm Prices
- MBD 3.2: Pricing Schedule – Non-Firm Prices
- MBD 4: Declaration of interest
- MBD 6.1: Preference Points Claim Form In Terms Of The Preferential Procurement Regulations 2001
- MBD 7.2: Contract Form - Rendering Of Services

4 Other documents that will be incorporated into the contract

5 The offer portion of the C1.1 Offer and Acceptance

6 C1.2 Contract Data (Part 2)

7 C6.2 Bills of quantities

Record of Addenda to Bid documents

We confirm that the following communications received from the Employer before the submission of this Bid offer, amending the Bid documents, have been taken into account in this Bid offer:

	Date	Title or Details	
1.			
2.			
3.			
4.			
5.			
6.			
7.			
8.			
Attach additional pages if more space is required.			
Signed		Date	
Name		Position	
Bidder			

Certificate of Authority for Joint Ventures (Where applicable)

This Returnable Schedule is to be completed by joint ventures.

We, the undersigned, are submitting this Bid offer in Joint Venture and hereby authorise Mr/Ms, authorised signatory of the company, acting in the capacity of lead partner, to sign all documents in connection with the Bid offer and any contract resulting from it on our behalf.

NAME OF FIRM	ADDRESS	DULY AUTHORISED SIGNATORY (Signature, name & designation)
Lead partner		

Schedule of Proposed Subcontractors

We notify you that it is our intention to employ the following Subcontractors for work in this contract. If we are awarded a contract we agree that this notification does not change the requirement for us to submit the names of proposed Subcontractors in accordance with requirements in the contract for such appointments. If there are no such requirements in the contract, then your written acceptance of this list shall be binding between us.

	Name and address of proposed Subcontractor	Nature and extent of work	Previous experience with Subcontractor.
1.			
2.			
3.			
4.			
5.			
Signed		Date	
Name		Position	
Bidder			

Schedule of Plant and Equipment

The following are lists of major items of relevant equipment that I/we presently own or lease and will have available for this contract or will acquire or hire for this contract if my/our Bid is accepted.

(a) Details of major equipment that is owned by and immediately available for this contract.

Quantity	Description, size, capacity, etc.

Attach additional pages if more space is required.

(b) Details of major equipment that will be hired, or acquired for this contract if my/our Bid is acceptable.

Quantity	Description, size, capacity, etc.

Attach additional pages if more space is required.

Signed		Date	
Name		Position	
Bidder			

Schedule of the Bidder's Experience

The following is a statement of similar work successfully executed by myself/ourselves:

Employer, contact person and telephone number.	Description of contract	Value of work inclusive of VAT (Rand)	Date completed

Signed		Date	
Name		Position	
Bidder			

Proposed amendments and qualifications

The Bidder should record any deviations or qualifications he may wish to make to the Bid documents in this Returnable Schedule. Alternatively, a Bidder may state such deviations and qualifications in a covering letter to his Bid and reference such letter in this schedule.

The Bidder's attention is drawn to clause F.3.8 of the Standard Conditions of Bid referenced in the Bid Data regarding the employer's handling of material deviations and qualifications.

Page	Clause or item	Proposal

--	--	--	--

Signed		Date	
Name		Position	
Bidder			

Schedule of Personnel and Employees

The Tenderer shall state below the number of Personnel and Employees to be employed on the Works.

PERSONNEL AND EMPLOYEES	TENDER		TENDER	
	FULL TIME	PART TIME	FULL TIME	PART TIME
1. Technical staff				
2. Clerical staff				
3. Artisans				
4. Semi-skilled				
5. Unskilled labour				
Total				

State the name, qualifications and experience of permanent Site agent:

Date:

SIGNATURE OF TENDERER:

Signatories Authority (Power Of Attorney)

1. INFORMATION TO BE PROVIDED

1.1 If the Tenderer is a COMPANY

- (a) Affix a certificate copy of the Certificate of Incorporation to this page.
- (b) Affix a copy of the relevant resolution of the Board of Directors, duly signed and dated
- (c) List the Directors

.....
.....

1.2 If the Tenderer is a CLOSE CORPORATION

- (a) Affix a certificate copy of the Founding Statement to this page
- (b) Affix a copy of the relevant resolution of the Members, duly signed and dated
- (c) List the Members

.....
.....

1.3 If the Tenderer is a PARTNERSHIP

- (a) Affix a copy of the relevant resolution on the Partners, duly signed and dated
- (b) List the Partners

.....
.....

1.2 If the Tenderer is a ONE-MAN-CONCERN.

Provided the full name, identity number and qualifications of the person

.....

1.3 If the Tenderer is a JOINT VENTURE

- a) Affix a copy of the original document of information defining the conditions under which the joint venture will function, its period of duration and the participating persons, companies and/or firms
- b) Affix a certificate signed for or on behalf of each participating person, company and/or firm authorizing the person who signed the tender to do so.

1.4 If the Tenderer is a CONCERN OTHER than these listed above

Provide full details of the CONCERN submitting the tender:

.....

Site Inspection Certificate

This is to certify that I,

representing and duly authorized by (Tenderer)

attended the site inspection on.....

Having prior to this site visit carefully examined the tender document, technical information and drawings supplied, I confirm that I was given unrestricted access to inspect those sections of the Site necessary for the execution of the Works.

I further confirm that I am completely satisfied with the scope of work as explained by the Engineer, and am fully aware of all Site conditions and regulations of whatsoever nature that could influence the preparation of our tender.

I therefore append my signature below in agreement that we will not institute any claim against the Employer after submission of our tender based on lack of knowledge of site conditions or regulations appertaining to the execution of this Contract.

Signature of Tenderer's Representative

Date

Signature of Engineer's Representative

Date

**COMPLIANCE WITH OCCUPATIONAL HEALTH AND SAFETY ACT, 1993 AND
CONSTRUCTION REGULATIONS, 2003**

The tenderer shall attach to this Form evidence that he is registered and in good standing with a compensation insurer who is approved by Department of Labour in terms of section 80 of the Compensation for Injury and Disease Act (COID)(Act 130 of 1993).

The tenderer is required to disclose, by also attaching documentary evidence to this form, all inspections, investigations and their outcomes conducted by the Department of Labour into the conduct of the tenderer at any time during the 36 months preceding the date of this tender.

SIGNED ON BEHALF OF THE TENDERER:

Note to tenderer:

Discovery that the tenderer has failed to make proper disclosure may result in CDM terminating a contract that flows from this tender on the ground that it has been rendered invalid by the tenderer's misrepresentation.

CONSTRUCTION INDUSTRIES DEVELOPMENT BOARD REGISTRATION

The tenderer is to affix to this page either:

- Written proof of his registration with the CIDB as a Category 4CEPE/5CE or Higher

Or

- Written proof of his application to the CIDB for registration as a contractor in the category listed above.

Note:

1. Failure to affix such documentation as prescribed to this page shall result in this tender not being further considered for the award of the contract.
2. Should this tender be considered for award of the contract, based on proof of submission of application for registration in the appropriate category with the CIDB, and should proof of such subsequent registration not be forthcoming to the employer by the time of award of the contract, then this tender will no longer be considered for the award of the contract.

PRICING SCHEDULE – FIRM PRICES (PURCHASES)

NOTE: ONLY FIRM PRICES WILL BE ACCEPTED. NON-FIRM PRICES (INCLUDING PRICES SUBJECT TO RATES OF EXCHANGE VARIATIONS) WILL NOT BE CONSIDERED

IN CASES WHERE DIFFERENT DELIVERY POINTS INFLUENCE THE PRICING, A SEPARATE PRICING SCHEDULE MUST BE SUBMITTED FOR EACH DELIVERY POINT

Name of Bidder.....	Bid Number.....
Closing Time	Closing Date

OFFER TO BE VALID FOR.....DAYS FROM THE CLOSING DATE OF BID

ITEM NO.	QUANTITY	DESCRIPTION	BID PRICE IN RSA CURRENCY **(ALL APPLICABLE TAXES INCLUDED)
-	Required by:
-	At:
-	Brand and Model
-	Country of Origin
-	Does the offer comply with the specification(s)?		*YES/NO
-	If not to specification, indicate deviation(s)
-	Period required for delivery	*Delivery: Firm/Not firm
-	Delivery basis

Note: All delivery costs must be included in the bid price, for delivery at the prescribed destination.

** "all applicable taxes" includes value-added tax, pay as you earn, income tax, unemployment insurance fund contributions and skills development levies.

*Delete if not applicable

**PRICING SCHEDULE – NON-FIRM PRICES
(PURCHASES)**

NOTE: PRICE ADJUSTMENTS WILL BE ALLOWED AT THE PERIODS AND TIMES SPECIFIED IN THE BIDDING DOCUMENTS.

IN CASES WHERE DIFFERENT DELIVERY POINTS INFLUENCE THE PRICING, A SEPARATE PRICING SCHEDULE MUST BE SUBMITTED FOR EACH DELIVERY POINT

Name of Bidder.....	Bid Number.....
Closing Time	Closing Date

OFFER TO BE VALID FOR.....DAYS FROM THE CLOSING DATE OF BID

ITEM NO.	QUANTITY	DESCRIPTION	BID PRICE IN RSA CURRENCY **(ALL APPLICABLE TAXES INCLUDED)
-	Required by:	
-	At:	
-	Brand and Model	
-	Country of Origin	
-	Does the offer comply with the specification(s)?		*YES/NO
-	If not to specification, indicate deviation(s)	
-	Period required for delivery	*Delivery: Firm/Not firm
-	Delivery basis	

Note: All delivery costs must be included in the bid price, for delivery at the prescribed destination.

** "all applicable taxes" includes value- added tax, pay as you earn, income tax, unemployment insurance fund contributions and skills development levies.

*Delete if not applicable

PRICE ADJUSTMENTS

A NON-FIRM PRICES SUBJECT TO ESCALATION

1. IN CASES OF PERIOD CONTRACTS, NON FIRM PRICES WILL BE ADJUSTED (LOADED) WITH THE ASSESSED CONTRACT PRICE ADJUSTMENTS IMPLICIT IN NON FIRM PRICES WHEN CALCULATING THE COMPARATIVE PRICES
2. IN THIS CATEGORY PRICE ESCALATIONS WILL ONLY BE CONSIDERED IN TERMS OF THE FOLLOWING FORMULA:

$$Pa = (1 - V)Pt \left(D1 \frac{R1t}{R1o} + D2 \frac{R2t}{R2o} + D3 \frac{R3t}{R3o} + D4 \frac{R4t}{R4o} \right) + VPt$$

Where:

- Pa = The new escalated price to be calculated.
- (1-V) Pt = 85% of the original bid price. **Note that Pt must always be the original bid price and not an escalated price.**
- D1, D2.. = Each factor of the bid price eg. labour, transport, clothing, footwear, etc. The total of the various factors D1,D2...etc. must add up to 100%.
- R1t, R2t... = Index figure obtained from new index (depends on the number of factors used).
- R1o, R2o = Index figure at time of bidding.
- VPt = 15% of the original bid price. This portion of the bid price remains firm i.e. it is not subject to any price escalations.

3. THE FOLLOWING INDEX/INDICES MUST BE USED TO CALCULATE YOUR BID PRICE:

Index..... Dated..... Index..... Dated..... Index..... Dated.....

Index..... Dated..... Index..... Dated..... Index..... Dated.....

4. FURNISH A BREAKDOWN OF YOUR PRICE IN TERMS OF ABOVE-MENTIONED FORMULA. THE TOTAL OF THE VARIOUS FACTORS MUST ADD UP TO 100%.

FACTOR (D1, D2 etc. eg. Labour, transport etc.)	PERCENTAGE OF BID PRICE

B PRICES SUBJECT TO RATE OF EXCHANGE VARIATIONS

1. Please furnish full particulars of your financial institution, state the currencies used in the conversion of the prices of the items to South African currency, which portion of the price is subject to rate of exchange variations and the amounts remitted abroad.

PARTICULARS OF FINANCIAL INSTITUTION	ITEM NO	PRICE	CURRENCY	RATE	PORTION OF PRICE SUBJECT TO ROE	AMOUNT IN FOREIGN CURRENCY REMITTED ABROAD
				ZAR=		
				ZAR=		
				ZAR=		
				ZAR=		
				ZAR=		
				ZAR=		

2. Adjustments for rate of exchange variations during the contract period will be calculated by using the average monthly exchange rates as issued by your commercial bank for the periods indicated hereunder: (Proof from bank required)

AVERAGE MONTHLY EXCHANGE RATES FOR THE PERIOD:	DATE DOCUMENTATION MUST BE SUBMITTED TO THIS OFFICE	DATE FROM WHICH NEW CALCULATED PRICES WILL BECOME EFFECTIVE	DATE UNTIL WHICH NEW CALCULATED PRICE WILL BE EFFECTIVE

DECLARATION OF INTEREST

1. No bid will be accepted from persons in the service of the state^{1*}.
2. Any person, having a kinship with persons in the service of the state, including a blood relationship, may make an offer or offers in terms of this invitation to bid. In view of possible allegations of favouritism, should the resulting bid, or part thereof, be awarded to persons connected with or related to persons in service of the state, it is required that the bidder or their authorised representative declare their position in relation to the evaluating/adjudicating authority and/or take an oath declaring his/her interest.

3 In order to give effect to the above, the following questionnaire must be completed and submitted with the bid.

3.1 Full Name:

3.2 Identity Number:

3.3 Company Registration Number:

3.4 Tax Reference Number:

3.5 VAT Registration Number:

3.6 Are you presently in the service of the state* **YES / NO**

3.6.1 If so, furnish particulars.

.....
.....

3.7 Have you been in the service of the state for the past twelve months? **YES / NO**

3.7.1 If so, furnish particulars.

3.7.2

.....
.....

3.8 Do you, have any relationship (family, friend, other) with persons in the service of the state and who may be involved with the evaluation and or adjudication of this bid? **YES / NO**

3.8.1 If so, furnish particulars.

.....
.....

3.9 Are you, aware of any relationship (family, friend, other) between a bidder and any persons in the service of the state who may be involved with the evaluation and or adjudication of this bid?

YES / NO

3.9.1 If so, furnish particulars

.....
.....

3.10 Are any of the company's directors, managers, principle shareholders or stakeholders in service of the state?

YES / NO

3.10.1 If so, furnish particulars.

.....
.....

3.11 Are any spouse, child or parent of the company's directors, managers, principle shareholders or stakeholders in service of the state?

YES / NO

3.11.1 If so, furnish particulars.

.....
.....

CERTIFICATION

I, THE UNDERSIGNED (NAME)

CERTIFY THAT THE INFORMATION FURNISHED ON THIS DECLARATION FORM IS CORRECT.

I ACCEPT THAT THE STATE MAY ACT AGAINST ME SHOULD THIS DECLARATION PROVE TO BE FALSE.

.....
Signature

.....
Date

.....
Position

.....
Name of Bidder

* MSCM Regulations: "in the service of the state" means to be –

- (a) a member of –
 - (i) any municipal council;
 - (ii) any provincial legislature; or
 - (iii) the national Assembly or the national Council of provinces;
- (b) a member of the board of directors of any municipal entity;
- (c) an official of any municipality or municipal entity;
- (d) an employee of any national or provincial department, national or provincial public entity or constitutional institution within the meaning of the Public Finance Management Act, 1999 (Act No.1 of 1999);
- (e) a member of the accounting authority of any national or provincial public entity; or
- (f) an employee of Parliament or a provincial legislature.

CONTRACT FORM - RENDERING OF SERVICES

THIS FORM MUST BE FILLED IN DUPLICATE BY BOTH THE SERVICE PROVIDER (PART 1) AND THE PURCHASER (PART 2). BOTH FORMS MUST BE SIGNED IN THE ORIGINAL SO THAT THE SERVICE PROVIDER AND THE PURCHASER WOULD BE IN POSSESSION OF ORIGINALLY SIGNED CONTRACTS FOR THEIR RESPECTIVE RECORDS.

PART 1 (TO BE FILLED IN BY THE SERVICE PROVIDER)

1. I hereby undertake to render services described in the attached bidding documents to (name of the institution)..... in accordance with the requirements and task directives / proposals specifications stipulated in Bid Number..... at the price/s quoted. My offer/s remain binding upon me and open for acceptance by the Purchaser during the validity period indicated and calculated from the closing date of the bid.
2. The following documents shall be deemed to form and be read and construed as part of this agreement:
 - (i) Bidding documents, viz
 - Invitation to bid;
 - Tax clearance certificate;
 - Pricing schedule(s);
 - Filled in task directive/proposal;
 - Preference claims for Broad Based Black Economic Empowerment Status Level of Contribution in terms of the Preferential Procurement Regulations 2011;
 - Declaration of interest;
 - Declaration of Bidder's past SCM practices;
 - Certificate of Independent Bid Determination;
 - Special Conditions of Contract;
 - (ii) General Conditions of Contract; and
 - (iii) Other (specify)
3. I confirm that I have satisfied myself as to the correctness and validity of my bid; that the price(s) and rate(s) quoted cover all the services specified in the bidding documents; that the price(s) and rate(s) cover all my obligations and I accept that any mistakes regarding price(s) and rate(s) and calculations will be at my own risk.
4. I accept full responsibility for the proper execution and fulfilment of all obligations and conditions devolving on me under this agreement as the principal liable for the due fulfillment of this contract.
5. I declare that I have no participation in any collusive practices with any bidder or any other person regarding this or any other bid.
6. I confirm that I am duly authorised to sign this contract.

NAME (PRINT)

CAPACITY

SIGNATURE

NAME OF FIRM

DATE

WITNESSES	
1
2
DATE:	

CONTRACT FORM - RENDERING OF SERVICES

PART 2 (TO BE FILLED IN BY THE PURCHASER)

1. I..... in my capacity as.....
accept your bid under reference numberdated.....for the rendering of
services indicated hereunder and/or further specified in the annexure(s).

2. An official order indicating service delivery instructions is forthcoming.

3. I undertake to make payment for the services rendered in accordance with the terms and conditions
of the contract, within 30 (thirty) days after receipt of an invoice.

DESCRIPTION OF SERVICE	PRICE (ALL APPLICABLE TAXES INCLUDED)	COMPLETION DATE	B-BBEE STATUS LEVEL OF CONTRIBUTION	MINIMUM THRESHOLD FOR LOCAL PRODUCTION AND CONTENT (if applicable)

4. I confirm that I am duly authorised to sign this contract.

SIGNED AT ON

NAME (PRINT)

SIGNATURE

OFFICIAL STAMP

WITNESSES

1

2

DATE:

DECLARATION OF BIDDER’S PAST SUPPLY CHAIN MANAGEMENT PRACTICES

- 1 This Municipal Bidding Document must form part of all bids invited.
- 2 It serves as a declaration to be used by municipalities and municipal entities in ensuring that when goods and services are being procured, all reasonable steps are taken to combat the abuse of the supply chain management system.
- 3 The bid of any bidder may be rejected if that bidder, or any of its directors have:
 - a. abused the municipality’s / municipal entity’s supply chain management system or committed any improper conduct in relation to such system;
 - b. been convicted for fraud or corruption during the past five years;
 - c. willfully neglected, reneged on or failed to comply with any government, municipal or other public sector contract during the past five years; or
 - d. been listed in the Register for Tender Defaulters in terms of section 29 of the Prevention and Combating of Corrupt Activities Act (No 12 of 2004).
- 4 **In order to give effect to the above, the following questionnaire must be completed and submitted with the bid.**

Item	Question	Yes	No
4.1	<p>Is the bidder or any of its directors listed on the National Treasury’s Database of Restricted Suppliers as companies or persons prohibited from doing business with the public sector?</p> <p>(Companies or persons who are listed on this Database were informed in writing of this restriction by the Accounting Officer/Authority of the institution that imposed the restriction after the <i>audi alteram partem</i> rule was applied).</p> <p>The Database of Restricted Suppliers now resides on the National Treasury’s website(www.treasury.gov.za) and can be accessed by clicking on its link at the bottom of the home page.</p>	Yes <input type="checkbox"/>	No <input type="checkbox"/>
4.1.1	If so, furnish particulars:		
4.2	<p>Is the bidder or any of its directors listed on the Register for Tender Defaulters in terms of section 29 of the Prevention and Combating of Corrupt Activities Act (No 12 of 2004)?</p> <p>The Register for Tender Defaulters can be accessed on the National Treasury’s website (www.treasury.gov.za) by clicking on its link at the bottom of the home page.</p>	Yes <input type="checkbox"/>	No <input type="checkbox"/>
4.2.1	If so, furnish particulars:		
4.3	<p>Was the bidder or any of its directors convicted by a court of law (including a court of law outside the Republic of South Africa) for fraud or corruption during the past five years?</p>	Yes <input type="checkbox"/>	No <input type="checkbox"/>

4.3.1	If so, furnish particulars:		
Item	Question	Yes	No
4.4	Does the bidder or any of its directors owe any municipal rates and taxes or municipal charges to the municipality / municipal entity, or to any other municipality / municipal entity, that is in arrears for more than three months?	Yes <input type="checkbox"/>	No <input type="checkbox"/>
4.4.1	If so, furnish particulars:		
4.5	Was any contract between the bidder and the municipality / municipal entity or any other organ of state terminated during the past five years on account of failure to perform on or comply with the contract?	Yes <input type="checkbox"/>	No <input type="checkbox"/>
4.7.1	If so, furnish particulars:		

CERTIFICATION

I, THE UNDERSIGNED (FULL NAME)
CERTIFY THAT THE INFORMATION FURNISHED ON THIS DECLARATION FORM TRUE AND CORRECT.

I ACCEPT THAT, IN ADDITION TO CANCELLATION OF A CONTRACT, ACTION MAY BE TAKEN AGAINST ME SHOULD THIS DECLARATION PROVE TO BE FALSE.

.....
 Signature

.....
 Date

.....
 Position

.....
 Name of Bidder

CERTIFICATE OF INDEPENDENT BID DETERMINATION

1. This Municipal Bidding Document (MBD) must form part of all bids¹ invited.
2. Section 4 (1) (b) (iii) of the Competition Act No. 89 of 1998, as amended, prohibits an agreement between, or concerted practice by, firms, or a decision by an association of firms, if it is between parties in a horizontal relationship and if it involves collusive bidding (or bid rigging).² Collusive bidding is a *pe se* prohibition meaning that it cannot be justified under any grounds.
3. Municipal Supply Regulation 38 (1) prescribes that a supply chain management policy must provide measures for the combating of abuse of the supply chain management system, and must enable the accounting officer, among others, to:
 - a. take all reasonable steps to prevent such abuse;
 - b. reject the bid of any bidder if that bidder or any of its directors has abused the supply chain management system of the municipality or municipal entity or has committed any improper conduct in relation to such system; and
 - c. cancel a contract awarded to a person if the person committed any corrupt or fraudulent act during the bidding process or the execution of the contract.
4. This MBD serves as a certificate of declaration that would be used by institutions to ensure that, when bids are considered, reasonable steps are taken to prevent any form of bid-rigging.
5. In order to give effect to the above, the attached Certificate of Bid Determination (MBD 9) must be completed and submitted with the bid:

¹ Includes price quotations, advertised competitive bids, limited bids and proposals.

² Bid rigging (or collusive bidding) occurs when businesses, that would otherwise be expected to compete, secretly conspire to raise prices or lower the quality of goods and / or services for purchasers who wish to acquire goods and / or services through a bidding process. Bid rigging is, therefore, an agreement between competitors not to compete.

CERTIFICATE OF INDEPENDENT BID DETERMINATION

I, the undersigned, in submitting the accompanying bid:

(Bid Number and Description)

in response to the invitation for the bid made by:

(Name of Municipality / Municipal Entity)

do hereby make the following statements that I certify to be true and complete in every respect:

I certify, on behalf of: _____ that:
(Name of Bidder)

1. I have read and I understand the contents of this Certificate;
2. I understand that the accompanying bid will be disqualified if this Certificate is found not to be true and complete in every respect;
3. I am authorized by the bidder to sign this Certificate, and to submit the accompanying bid, on behalf of the bidder;
4. Each person whose signature appears on the accompanying bid has been authorized by the bidder to determine the terms of, and to sign, the bid, on behalf of the bidder;
5. For the purposes of this Certificate and the accompanying bid, I understand that the word "competitor" shall include any individual or organization, other than the bidder, whether or not affiliated with the bidder, who:
 - (a) has been requested to submit a bid in response to this bid invitation;
 - (b) could potentially submit a bid in response to this bid invitation, based on their qualifications, abilities or experience; and
 - (c) provides the same goods and services as the bidder and/or is in the same line of business as the bidder
6. The bidder has arrived at the accompanying bid independently from, and without consultation, communication, agreement or arrangement with any competitor. However communication between partners in a joint venture or consortium³ will not be construed as collusive bidding.
7. In particular, without limiting the generality of paragraphs 6 above, there has been no consultation, communication, agreement or arrangement with any competitor regarding:
 - (a) prices;
 - (b) geographical area where product or service will be rendered (market allocation)
 - (c) methods, factors or formulas used to calculate prices;
 - (d) the intention or decision to submit or not to submit, a bid;

- (e) the submission of a bid which does not meet the specifications and conditions of the bid; or
 - (f) bidding with the intention not to win the bid.
8. In addition, there have been no consultations, communications, agreements or arrangements with any competitor regarding the quality, quantity, specifications and conditions or delivery particulars of the products or services to which this bid invitation relates.
 9. The terms of the accompanying bid have not been, and will not be, disclosed by the bidder, directly or indirectly, to any competitor, prior to the date and time of the official bid opening or of the awarding of the contract.
 10. I am aware that, in addition and without prejudice to any other remedy provided to combat any restrictive practices related to bids and contracts, bids that are suspicious will be reported to the Competition Commission for investigation and possible imposition of administrative penalties in terms of section 59 of the Competition Act No 89 of 1998 and or may be reported to the National Prosecuting Authority (NPA) for criminal investigation and or may be restricted from conducting business with the public sector for a period not exceeding ten (10) years in terms of the Prevention and Combating of Corrupt Activities Act No 12 of 2004 or any other applicable legislation.

.....
Signature

.....
Date

.....
Position

.....
Name of Bidder

Joint venture or Consortium means an association of persons for the purpose of combining their expertise, property, capital, efforts, skill and knowledge in an activity for the execution of a contract.



CAPRICORN DISTRICT MUNICIPALITY

C1.1 Form of Offer and Acceptance

Offer

The employer, identified in the acceptance signature block, has solicited offers to enter into a contract for the procurement of:

CONTRACT No: INF-W16/2023/2024

CAPRICORN HOUSEHOLD SANITATION

The Bidder, identified in the offer signature block, has examined the documents listed in the Bid data and addenda thereto as listed in the returnable schedules, and by submitting this offer has accepted the conditions of Bid.

By the representative of the Bidder, deemed to be duly authorized, signing this part of this form of offer and acceptance, the Bidder offers to perform all of the obligations and liabilities of the contractor under the contract including compliance with all its terms and conditions according to their true intent and meaning for an amount to be determined in accordance with the conditions of contract identified in the contract data.

THE OFFERED TOTAL OF THE PRICES INCLUSIVE OF VALUE ADDED TAX IS:

..... Rand (in words);

R (in figures)

This offer may be accepted by the employer by signing the acceptance part of this form of offer and acceptance and returning one copy of this document to the Bidder before the end of the period of validity stated in the Bid data, whereupon the Bidder becomes the party named as the contractor in the conditions of contract identified in the contract data.

Signature Date

Name

Capacity

for the Bidder

(Name and
address of
organization)

.....

.....

Name and

signature

of witness

.....

Acceptance

By signing this part of this form of offer and acceptance, the employer identified below accepts the Bidder's offer. In consideration thereof, the employer shall pay the contractor the amount due in accordance with the conditions of contract identified in the contract data. Acceptance of the Bidder's offer shall form an agreement between the employer and the Bidder upon the terms and conditions contained in this agreement and in the contract that is the subject of this agreement.

The terms of the contract, are contained in:

- Part C1: Agreements and contract data, (which includes this agreement)
- Part C2: Pricing data
- Part C3: Scope of work.
- Part C4: Site information

and drawings and documents or parts thereof, which may be incorporated by reference into Parts 1 to 4 above.

Deviations from and amendments to the documents listed in the Bid data and any addenda thereto as listed in the Bid schedules as well as any changes to the terms of the offer agreed by the Bidder and the employer during this process of offer and acceptance, are contained in the schedule of deviations attached to and forming part of this agreement. No amendments to or deviations from said documents are valid unless contained in this schedule.

The Bidder shall within two weeks after receiving a completed copy of this agreement, including the schedule of deviations (if any), contact the employer's agent (whose details are given in the contract data) to arrange the delivery of any bonds, guarantees, proof of insurance and any other documentation to be provided in terms of the conditions of contract identified in the contract data. Failure to fulfil any of these obligations in accordance with those terms shall constitute a repudiation of this agreement.

Notwithstanding anything contained herein, this agreement comes into effect on the date when the Bidder receives one fully completed original copy of this document, including the schedule of deviations (if any). Unless the Bidder (now contractor) within five working days of the date of such receipt notifies the employer in writing of any reason why he cannot accept the contents of this agreement, this agreement shall constitute a binding contract between the parties.

Signature Date

Name

Capacity

**for the
Employer** **CAPRICORN DISTRICT MUNICIPALITY**
Box 4100
41 Biccard Streets
Polokwane
0700

Name and
signature

of witness Date

.....

Schedule of Deviations

1 Subject

Details

.....

.....

.....

.....

2 Subject

Details

.....

.....

.....

.....

3 Subject

Details

.....

.....

.....

.....

4 Subject

Details

.....

.....

.....

.....

5 Subject

Details

.....

.....

.....

.....

By the duly authorised representatives signing this agreement, the employer and the Bidder agree to and accept the foregoing schedule of deviations as the only deviations from and amendments to the documents listed in the Bid data and addenda thereto as listed in the Bid schedules, as well as any confirmation, clarification or changes to the terms of the offer agreed by the Bidder and the employer during this process of offer and acceptance.

It is expressly agreed that no other matter whether in writing, oral communication or implied during the period between the issue of the Bid documents and the receipt by the Bidder of a completed signed copy of this Agreement shall have any meaning or effect in the contract between the parties arising from this agreement.



CAPRICORN DISTRICT MUNICIPALITY

C1.2 Contract Data

The General Conditions of Contract for Construction Works (2015) published by the South African Institution of Civil Engineering, are applicable to this contract and forms Volume 1 of the Contract Document. Volume 2 is the Contract Drawings Copies of these conditions of contract may be obtained from the South African Institution of Civil Engineering (tel 011-805 5947).

The General Conditions of Contract for Construction Works make several references to the Contract Data for specific data, which together with these conditions collectively describe the risks, liabilities and obligations of the contracting parties and the procedures for the administration of the Contract. The Contract Data shall have precedence in the interpretation of any ambiguity or inconsistency between it and the general conditions of contract.

Each item of data given below is cross-referenced to the clause in the General Conditions of Contract for Construction Works to which it mainly applies.

<p>6.10.6.</p> <p>9.2.1</p>	<p>The variations to the General Conditions of Contract are:</p> <p>Replace the term “Bank” with “Bank or Insurance Company”</p> <p>Replace sub-clause with: The Contractor or anyone on his behalf or in his employ would pay, offer or offer as payment to any person in the employ of the Employer, or in the employ of the Engineer, a gratuity or reward or commission.</p>
	<p>The additional clauses to the General Conditions of Contract are:</p> <p>Payment for the labour-intensive component of the works</p> <p>Payment for works identified in the Scope of Work as being labour-intensive shall only be made in accordance with the provisions of the Contract if the works are constructed strictly in accordance with the provisions of the scope of work. Any non-payment for such works shall not relieve the Contractor in any way from his obligations either in contract or in delict.</p> <p>Linkage of payment for labour-intensive component of works to submission of project data</p> <p>The Contractor’s payment invoices shall be accompanied by labour information for the corresponding period in a format specified by the employer. If the contractor chooses to delay submitting payment invoices, labour returns shall still be submitted as per frequency and timeframe stipulated by the Employer. The contractor’s invoices shall not be paid until all pending labour information has been submitted.</p> <p>Applicable labour laws</p> <p>The current Ministerial Determination (also downloadable at www.epwp.gov.za), Expanded Public Works Programmes, issued in terms of the Basic Condition of Employment Act of 1997 by the Minister of Labour in Government Notice, shall apply to works described in the scope of work as being labour-intensive and which are undertaken by unskilled workers.</p>

1 Introduction

1.1 This document contains the standard terms and conditions for workers employed in elementary occupations on a Special Public Works Programme (SPWP). These terms and conditions do NOT apply to persons employed in the supervision and management of a SPWP.

1.5 In this document –

- (a) “department” means any department of the State, implementing agent or contractor;
- (b) “employer” means any department, implementing agency or contractor that hires workers to work in elementary occupations on a SPWP;
- (c) “worker” means any person working in an elementary occupation on a SPWP;
- (d) “elementary occupation” means any occupation involving unskilled or semi-skilled work;
- (e) “management” means any person employed by a department or implementing agency to administer or execute an SPWP;
- (f) “task” means a fixed quantity of work;
- (g) “task-based work” means work in which a worker is paid a fixed rate for performing a task;
- (h) “task-rated worker” means a worker paid on the basis of the number of tasks completed;
- (i) “time-rated worker” means a worker paid on the basis of the length of time worked.

2 Terms of Work

2.1 Workers on a SPWP are employed on a temporary basis.

2.2 A worker may NOT be employed for longer than 24 months in any five-year cycle on a SPWP.

2.3 Employment on a SPWP does not qualify as employment as a contributor for the purposes of the Unemployment Insurance Act 30 of 1966.

3 Normal Hours of Work

3.1 An employer may not set tasks or hours of work that require a worker to work–

- (a) more than forty hours in any week
- (b) on more than five days in any week; and
- (c) for more than eight hours on any day.

3.2 An employer and worker may agree that a worker will work four days per week. The worker may then work up to ten hours per day.

3.3 A task-rated worker may not work more than a total of 55 hours in any week to complete the tasks allocated (based on a 40-hour week) to that worker.

4 Meal Breaks

4.1 A worker may not work for more than five hours without taking a meal break of at least thirty minutes duration.

4.2 An employer and worker may agree on longer meal breaks.

4.3 A worker may not work during a meal break. However, an employer may require a worker to perform duties during a meal break if those duties cannot be left unattended and cannot be performed by another worker. An employer must take reasonable steps to ensure that a worker is relieved of his or her duties during the meal break.

4.4 A worker is not entitled to payment for the period of a meal break. However, a worker who is paid on the basis of time worked must be paid if the worker is required to work or to be available for work during the meal break.

5 Special Conditions for Security Guards

5.1 A security guard may work up to 55 hours per week and up to eleven hours per day.

5.2 A security guard who works more than ten hours per day must have a meal break of at least one hour or two breaks of at least 30 minutes each.

6 Daily Rest Period

Every worker is entitled to a daily rest period of at least eight consecutive hours. The daily rest period is measured from the time the worker ends work on one day until the time the worker starts work on the next day.

7 Weekly Rest Period

Every worker must have two days off every week. A worker may only work on their day off to perform work which must be done without delay and cannot be performed by workers during their ordinary hours of work ("emergency work").

8 Work on Sundays and Public Holidays

8.1 A worker may only work on a Sunday or public holiday to perform emergency or security work.

8.2 Work on Sundays is paid at the ordinary rate of pay.

8.3 A task-rated worker who works on a public holiday must be paid –

- (a) the worker's daily task rate, if the worker works for less than four hours;
- (b) double the worker's daily task rate, if the worker works for more than four hours.

8.4 A time-rated worker who works on a public holiday must be paid –

- (a) the worker's daily rate of pay, if the worker works for less than four hours on the public holiday;
- (b) double the worker's daily rate of pay, if the worker works for more than four hours on the public holiday.

9 Sick Leave

9.1 Only workers who work four or more days per week have the right to claim sick-pay in terms of this clause.

9.2 A worker who is unable to work on account of illness or injury is entitled to claim one day's paid sick leave for every full month that the worker has worked in terms of a contract.

9.3 A worker may accumulate a maximum of twelve days' sick leave in a year.

9.4 Accumulated sick-leave may not be transferred from one contract to another contract.

9.5 An employer must pay a task-rated worker the worker's daily task rate for a day's sick leave.

9.6 An employer must pay a time-rated worker the worker's daily rate of pay for a day's sick leave.

9.7 An employer must pay a worker sick pay on the worker's usual payday.

9.8 Before paying sick-pay, an employer may require a worker to produce a certificate stating that the worker was unable to work on account of sickness or injury if the worker is –

- (a) absent from work for more than two consecutive days; or
- (b) absent from work on more than two occasions in any eight-week period.

9.9 A medical certificate must be issued and signed by a medical practitioner, a qualified nurse or a clinic staff member authorised to issue medical certificates indicating the duration and reason for incapacity.

9.10 A worker is not entitled to paid sick-leave for a work-related injury or occupational disease for which the worker can claim compensation under the Compensation for Occupational Injuries and Diseases Act.

10 Maternity Leave

10.1 A worker may take up to four consecutive months' unpaid maternity leave.

10.2 A worker is not entitled to any payment or employment-related benefits during maternity leave.

10.3 A worker must give her employer reasonable notice of when she will start maternity leave and when she will return to work.

10.4 A worker is not required to take the full period of maternity leave. However, a worker may not work for four weeks before the expected date of birth of her child or for six weeks after the birth of her child, unless a medical practitioner, midwife or qualified nurse certifies that she is fit to do so.

10.5 A worker may begin maternity leave –

- (a) four weeks before the expected date of birth; or
- (b) on an earlier date –
 - (i) if a medical practitioner, midwife or certified nurse certifies that it is necessary for the health of the worker or that of her unborn child; or
 - (ii) if agreed to between employer and worker; or
- (c) on a later date, if a medical practitioner, midwife or certified nurse has certified that the worker is able to continue to work without endangering her health.

10.6 A worker who has a miscarriage during the third trimester of pregnancy or bears a stillborn child may take maternity leave for up to six weeks after the miscarriage or stillbirth.

10.7 A worker who returns to work after maternity leave, has the right to start a new cycle of twenty-four months employment, unless the SPWP on which she was employed has ended.

11 Family responsibility leave

11.1 Workers, who work for at least four days per week, are entitled to three days paid family responsibility leave each year in the following circumstances -

- (a) when the employee's child is born;
- (b) when the employee's child is sick;
- (c) in the event of a death of –
 - (i) the employee's spouse or life partner;
 - (ii) the employee's parent, adoptive parent, grandparent, child, adopted child, grandchild or sibling.

12 Statement of Conditions

12.1 An employer must give a worker a statement containing the following details at the start of employment –

- (a) the employer's name and address and the name of the SPWP;
- (b) the tasks or job that the worker is to perform; and
- (c) the period for which the worker is hired or, if this is not certain, the expected duration of the contract;
- (d) the worker's rate of pay and how this is to be calculated;
- (e) the training that the worker will receive during the SPWP.

12.2 An employer must ensure that these terms are explained in a suitable language to any employee who is unable to read the statement.

12.3 An employer must supply each worker with a copy of these conditions of employment.

13 Keeping Records

13.1 Every employer must keep a written record of at least the following –

- (a) the worker's name and position; signed contract by both parties
- (b) in the case of a task-rated worker, the number of tasks completed by the worker; or daily attendance register
- (c) Copy of an acceptable worker identity which is certified
- (d) payments made to each worker; signed off by worker.

13.2 The employer must keep this record for a period of at least three years after the completion of the SPWP.

14 Payment

14.1 An employer must pay all wages at least monthly in cash or by cheque or into a bank account.

14.2 A task-rated worker will only be paid for tasks that have been completed.

14.3 A worker may not be paid less than the minimum EPWP wage rate of R102,00 per day or per task and the wage rate for this project will be R170.00 per day. This will be adjusted annually on the 1st of March in line with inflation (available CPI as provided by StatsSA six (6) weeks before implementation.

An employer must pay a task-rated worker within five weeks of the work being completed and the work having been approved by the manager or the contractor having submitted an invoice to the employer.

14.4 A time-rated worker will be paid at the end of each month.

14.5 Payment must be made in cash, by cheque or by direct deposit into a bank account designated by the worker.

14.6 Payment in cash or by cheque must take place –

- (a) at the workplace or at a place agreed to by the worker;
- (b) during the worker's working hours or within fifteen minutes of the start or finish of work;
- (c) in a sealed envelope which becomes the property of the worker.

14.7 An employer must give a worker the following information in writing –

- (a) the period for which payment is made;
- (b) the numbers of tasks completed or hours worked;
- (c) the worker's earnings;
- (d) any money deducted from the payment;
- (e) the actual amount paid to the worker.

14.8 If the worker is paid in cash or by cheque, this information must be recorded on the envelope and

the worker must acknowledge receipt of payment by signing for it

14.9 If a worker's employment is terminated, the employer must pay all monies owing to that worker within one month of the termination of employment.

15 Deductions

15.1 An employer may not deduct money from a worker's payment unless the deduction is required in terms of a law.

15.2 An employer must deduct and pay to the SA Revenue Services any income tax that the worker is required to pay.

15.3 An employer who deducts money from a worker's pay for payment to another person must pay the money to that person within the time period and other requirements specified in the agreement law, court order or arbitration award concerned.

15.4 An employer may not require or allow a worker to –

- (a) repay any payment except an overpayment previously made by the employer by mistake;
- (b) state that the worker received a greater amount of money than the employer actually paid to the worker; or
- (f) pay the employer or any other person for having been employed.

16 Health and Safety

16.1 Employers must take all reasonable steps to ensure that the working environment is healthy and safe.

16.2 A worker must –

- (a) work in a way that does not endanger his/her health and safety or that of any other person;
- (b) obey any health and safety instruction;
- (c) obey all health and safety rules of the SPWP;
- (d) use any personal protective equipment or clothing issued by the employer;
- (e) report any accident, near-miss incident or dangerous behaviour by another person to their employer or manager.

17 Compensation for Injuries and Diseases

17.1 It is the responsibility of the employers (other than a contractor) to arrange for all persons employed on a SPWP to be covered in terms of the Compensation for Occupational Injuries and Diseases Act, 130 of 1993.

17.2 A worker must report any work-related injury or occupational disease to their employer or manager.

17.3 The employer must report the accident or disease to the Compensation Commissioner.

17.4 An employer must pay a worker who is unable to work because of an injury caused by an accident at work 75% of their earnings for up to three months. The employer will be refunded this amount by the Compensation Commissioner. This does NOT apply to injuries caused by accidents outside the workplace such as road accidents or accidents at home.

18 Termination

18.1 The employer may terminate the employment of a worker for good cause after following a fair procedure.

18.2 A worker will not receive severance pay on termination.

18.3 A worker is not required to give notice to terminate employment. However, a worker who wishes to resign should advise the employer in advance to allow the employer to find a replacement.

18.4 A worker who is absent for more than three consecutive days without informing the employer of an intention to return to work will have terminated the contract. However, the worker may be re-engaged if a position becomes available for the balance of the 24-month period.

18.5 A worker who does not attend required training events, without good reason, will have terminated the contract. However, the worker may be re-engaged if a position becomes available for the balance of the 24-month period.

19 Certificate of Service

19.1 On termination of employment, a worker is entitled to a certificate stating –

- (a) the worker's full name;
- (b) the name and address of the employer;
- (c) the SPWP on which the worker worked;
- (d) the work performed by the worker;
- (e) any training received by the worker as part of the SPWP;
- (f) the period for which the worker worked on the SPWP;
- (g) any other information agreed on by the employer and worker.

Part 1: Contract Data completed by the Employer

Clause	
1.1.1.5	Clause 1.1.4 of the GCC is replaced by the following: The "Commencement date" shall be the date the site is handed over to the Contractor.
1.1.1.15	The name of the Employer is the Capricorn District Municipality . The address of the Employer is: Telephone: 015-294-1000 Facsimile: 015-291-5697 Address : 41 Biccard street, Polokwane, 0700 Address : Box 4100, Polokwane, 0700
5.8.1	The special non-working days are public holidays, Saturdays, Sundays and the days on which the contractor grants the majority of his permanent workforce leave around the 15 th December and the first Monday of the subsequent year.
3.1.3	The engineer is required in terms of his appointment with the employer to obtain the following specific approvals from the employer: e.g. 1. Approval of extension of time; 2. Approval of additional costs; 3. Approval of variation orders; 4. Approval of penalties; 5. Approval from Capricorn District Municipality for the utilization of any Contingencies
3.1.3	The Engineer is required to obtain the specific approval of the Employer before executing any of the following functions or duties: 1. Nominating the Engineer's Representative in terms of Clause 3.2.1. 2. Delegation of Engineer's authority in terms of Clause 3.2.4. 3. Providing consent for subcontracting part of the contract in terms of Clause 4.4.1. 4. The issuing of further drawings or instructions in terms of Clause 5.9.1. 5. The issuing of instructions for dealing with fossils and the like in terms of Clause 4.7.1. 6. Authorizing the Contractor to repair and make good excepted risks in terms of Clause 8.2.2. 7. The issuing of a variation order in terms of Clause 6.3.2. 8. Issuing of instructions to carry out work on a day work basis in terms of Clause 6.4.1.4. 9. Granting permission to work during non-working times in terms of Clause 5.8.1. 10. Suspend the progress of the works in terms of Clause 5.11.1. 11. The issuing of an instruction to accelerate progress in terms of Clause 5.7.3. 12. The reduction of a penalty for delay in terms of Clause 5.13.2. 10. The determination of additional or reduced costs arising from changes in legislation in terms of Clause 6.8.4. 11. The giving of a ruling on a contractor's claim in terms of Clause 10.1.5. 12. The agreeing of an extension to the 28 period in terms of Clause 10.1.5.1. 13. The inclusion of credits in the next payment certificate in terms of Clause 10.1.5.2. 14. The agreeing of the adjustment of the sums for general items in terms of Clause 10.1.5.1.
6.2	The time to deliver the Form of Guarantee within 14 days of the Commencement Date. The Form of Guarantee is to contain the wording of the document included in Clause.3 or as supplied by the Employer. The liability for the guarantee shall be for 10% of the contract amount .
5.3	The Works are to be commenced within 14 days of the Commencement Date.
5.6.1	The Works programme is to be delivered within 14 days of the Commencement Date.
8.6	The amount to be included in the sum insured to cover the value of:
8.6.1.1.2	The value of the materials supplied by the Employer to be included in the insurance sum is R0-00
8.6.1.1.3	The amount to cover professional fees for repair or reinstatement of damage to the works to be included in the insurance sum is R0-00

8.6.1.2	Contractor to provide ALL RISK insurance within 14 days of award.
6.5.1.2.3	The percentage allowance to cover overhead charges is 15% .
5.5.1	The works shall be completed within six (06) months exclusive of year end break.
5.13	The penalty for failing to complete the Works is 1.5% of the contract amount per month .
6.8.2	The value of the payment certificates is to be adjusted in accordance with the Contract Price Adjustment Schedule, where: The value of "x" is 0,15 The values of the coefficients are: a = Labour b = Contractor's equipment c = Material d = Fuel The urban area nearest to the Site is Polokwane The base month is the month prior to the closing of the Bid, i.e. October 2020
6.10.1.5	The percentage advance on materials not yet built into the Permanent Works is 80%
6.10.3	The percentage retention on amounts due to the Contractor is 10% of the contract amount .
6.10.4	Minimum amount of interim payment certificate is R 200 000.00
6.10.3	The percentage retention on amounts due to the contractor is 10% of the contract amount .A retention Money Guarantee is not permitted. 10% of each interim payment certificate value will be deducted to completion and released released in terms of the GCC 2015 Third Edition conditions.
7.8	The Defects Liability Period is 12 calendar months after the final completion date
10.5	Dispute resolution is to be my means of adjudication
10.8	Disputes are to be referred for final settlement to arbitration.
Special Clause in terms of RDP	Requirements in terms of government's reconstruction and development programme. Target values In this contract the minimum target values shall be as follows: Labour Maximisation : X% ABE support : 10% HDI Supervisory Staff : 10% The penalties for not reaching the required target values will be calculated at 20% of the difference between the set target values and the actual target values achieved by the contractor at completion of the works . No bonuses for achieving the set target values are applicable.

Part 2: Data provided by the Contractor

Clause																													
1.1.9	The contractor is																												
1.2.1.2	The contractor's address for receipt of communication is: Telephone:..... Mobile phone: Facsimile:..... e-mail: Address:																												
6.5.1.2.3	The percentage allowances to cover all charges for the contractor's and subcontractor's profits, timekeeping, clerical work, insurance, establishment, superintendence and the use of hand tools is%.																												
5.5.1	The Works shall be completed within months as proposed by the contractor.																												
6.8.3	The variation in cost of special materials is: <table border="1" data-bbox="360 1024 1403 1423"> <thead> <tr> <th data-bbox="360 1024 704 1129" rowspan="2">Special material</th> <th colspan="2" data-bbox="704 1024 1117 1129">Unit on which variation will be determined</th> <th data-bbox="1117 1024 1403 1129" rowspan="2">Price for base month ex factory, excluding transport, labour or any other costs.</th> </tr> <tr> <th data-bbox="704 1129 909 1159">Containers</th> <th data-bbox="909 1129 1117 1159">Delivered in bulk</th> </tr> </thead> <tbody> <tr> <td data-bbox="360 1159 704 1209"></td> <td data-bbox="704 1159 909 1209"></td> <td data-bbox="909 1159 1117 1209"></td> <td data-bbox="1117 1159 1403 1209"></td> </tr> <tr> <td data-bbox="360 1209 704 1260"></td> <td data-bbox="704 1209 909 1260"></td> <td data-bbox="909 1209 1117 1260"></td> <td data-bbox="1117 1209 1403 1260"></td> </tr> <tr> <td data-bbox="360 1260 704 1310"></td> <td data-bbox="704 1260 909 1310"></td> <td data-bbox="909 1260 1117 1310"></td> <td data-bbox="1117 1260 1403 1310"></td> </tr> <tr> <td data-bbox="360 1310 704 1360"></td> <td data-bbox="704 1310 909 1360"></td> <td data-bbox="909 1310 1117 1360"></td> <td data-bbox="1117 1310 1403 1360"></td> </tr> <tr> <td data-bbox="360 1360 704 1411"></td> <td data-bbox="704 1360 909 1411"></td> <td data-bbox="909 1360 1117 1411"></td> <td data-bbox="1117 1360 1403 1411"></td> </tr> </tbody> </table> <p data-bbox="360 1423 688 1453">*State unit in appropriate column</p>			Special material	Unit on which variation will be determined		Price for base month ex factory, excluding transport, labour or any other costs.	Containers	Delivered in bulk																				
Special material	Unit on which variation will be determined		Price for base month ex factory, excluding transport, labour or any other costs.																										
	Containers	Delivered in bulk																											



CAPRICORN DISTRICT MUNICIPALITY

C1.3 Form of Guarantee

CONTRACT NO.: INF-W16/2023/2024

WHEREAS The **CAPRICORN DISTRICT MUNICIPALITY** (hereinafter referred to as the Employer”) entered into, a Contract with:

.....

(hereinafter called “the Contactor”) on the day of 20.....,

for the construction of **CONTRACT No.: INF-W16/2023/2024**

CAPRICORN HOUSEHOLD SANITATION (LEPELLE NKUMPI)

AND WHEREAS it is provided by such Contract that the Contractor shall provide the Employer with security by way of a guarantee for the due and faithful fulfilment of such Contract by the Contractor;

AND WHEREAS has / have at the request of the Contractor, agreed to give such guarantee;

NOW THEREFORE WE do hereby guarantee and bind ourselves jointly and severally as Guarantor and Co-principal Debtors to the Employer under renunciation of the benefits of division and execution for the due and faithful performance by the Contractor of all the terms and conditions of the said Contract, subject to the following conditions:

1. The Employer shall, without reference and / or notice to us, have complete liberty of action to act in any manner authorized and/or contemplated by the terms of the said Contract, and/or to agree to any modifications, variations, alterations, directions or extensions of the completion date of the works under the said Contract, and that its rights under this guarantee shall in no way be prejudiced nor our liability hereunder be affected by reason of any steps which the Employer may take under such Contract, or of any modification, variation, alterations of the completion date which the Employer may make, give, concede or agree to under the said Contract.
2. This guarantee shall be limited to the payment of a sum of money.
3. The Employer shall be entitled, without reference to us, to release any guarantee held by it, and to give time to or compound or make any other arrangement with the Contractor.
4. This guarantee shall remain in full force and effect until the issue of the Certificate of Completion in terms of the Contract, unless we are advised in writing by the Employer before the issue of the said Certificate of his intention to institute claims, and the particulars thereof, in which event this guarantee shall remain in full force and effect until all such claims have been paid or liquidated.
5. Our totally hereunder all not exceed the Guaranteed Sum of liability.Rand (in words); R (in figures)
6. The Guarantor reserves the right to withdraw from this guarantee by depositing the Guaranteed Sum with the beneficiary, whereupon our liability hereunder shall cease.

7. We hereby choose our address for the serving of all notices for all purposes arising here from as

.....
.....
.....
.....

IN WITNESS WHEREOF this guarantee has been executed by us at

on this Day of 20

Signature

Duly authorized to sign on behalf of

Address
.....
.....

As witnesses:

1

2



CAPRICORN DISTRICT MUNICIPALITY

C1.4 Occupational Health and Safety

AGREEMENT IN TERMS OF THE OCCUPATIONAL HEALTH AND SAFETY ACT, 1993 (ACT NO 85 OF 1993)

THIS AGREEMENT IS made at

on the day of in the year

Between CAPRICORN DISTRICT MUNICIPALITY (hereinafter called "the Employer") of the one part, herein represented by

In his capacity as

and delegate of the Employer in terms of the Employer's standard powers of delegation pursuant to the provisions of Act No 7 of 1998,

and

(hereinafter called "the Mandatory") of the other part, herein represented by

.....

in his capacity as

and being duly authorized by virtue of a resolution appended hereto as Annexure A;

WHEREAS the Employer requires certain works be constructed, via **CONTRACT NO:INF-W16/2023/2024 CAPRICORN HOUSEHOLD SANITATION (LEPELLE NKUMPI)** and has accepted a Tender by the Mandatory for the construction, completion and maintenance of such Works and whereas the Employer and the Mandatory have agreed to certain arrangements and procedures to be followed in order to ensure compliance by the Mandatory with the provisions of the Occupational Health and Safety Act, 1993 (Act 85 of 1993).

NOW THEREFORE THIS AGREEMENT WITNESSES AS FOLLOWS:

- 1 The Mandatory shall execute the work in accordance with the Contract Documents pertaining to this Contract.
- 2 This Agreement shall hold good from its Commencement Date, which shall be the date of a written notice from the Employer or engineer requiring him to commence the execution of the Works, to either -
 - (a) the date of the Final Certificate issued in terms of Clause 55 of the Committee of Land Transport Officials General Conditions of Contract 1998 (hereinafter referred to as "the GCC"), as contained in Volume 1 of the Contract Documents pertaining to this Contract, or
 - (b) The date of termination of the Contract in terms of Clauses 57, 58 or 59 of the GCC.
- 3 The Mandatory declares himself to be conversant with the following:

- (a) All the requirements, regulations and standards of the Occupational Health and Safety Act (Act 85 of 1993), hereinafter referred to as "The Act", together with its amendments and with special reference to the following Sections of The Act:
 - (i) Section 8 : General duties of Employers to their employees
 - (ii) Section 9 : General duties of Employers and self-employed persons to persons other than employees
 - (iii) Section 37 : Acts or omissions by employees or mandatories
 - (iv) Sub-section 37(2) relating to the purpose and meaning of this Agreement
 - (b) The procedures and safety rules of the Employer as pertaining to the Mandatory and to all his subcontractors.
- 4 In addition to the requirements of Clause 36 of the GCC (as amended by Special Condition of Contract contained in Volume 3 of the Contract Documents pertaining to this Contract) and all relevant requirements of the above-mentioned Volume 3, the Mandatory agrees to execute all the Works forming part of this Contract and to operate and utilize all machinery, Plant and equipment in accordance with the Act.
- 5 The Mandatory is responsible for the compliance with the Act by all his subcontractors, whether or not selected and/or approved by the Employer.
6. The Mandatory warrants that all his and his subcontractors' workmen are covered in terms of the Compensation for Occupational Injuries and Diseases Act, 1993 (Act No 130 of 1993), which cover, shall remain in force whilst any such workmen are present on site. A letter of good standing from the Compensation Commissioner to this effect must be produced to the Employer upon signature of the agreement.
7. The Mandatory undertakes to ensure that he and/or subcontractors and/or their respective employers will at all times comply with the following conditions:
- a) The Mandatory shall assume the responsibility in terms of Section 16.1 of the Act. The Mandatory shall not delegate any duty in terms of Section 16.2 of this Act without the prior written approval of the Employer. If the mandatory obtains such approval and delegates any duty in terms of section 16.2 a copy of such written delegation shall immediately be forwarded to the Employer.
 - b) All incidents referred to in the Act shall be reported by the mandatory to the Department of Labour as well as to the Employer. The Employer will further be provided with copies of all written documentation relating to any incident.
 - c) The Employer hereby obtains an interest in the issue of any formal enquiry conducted in terms of section 32 of the Act into any incident involving the mandatory and/or his employees and/or his subcontractors.

In witness thereof the parties hereto have set their signatures hereon in the presence of the subscribing witnesses:

SIGNED FOR AND ON BEHALF OF THE EMPLOYER :

Witness Witness

(Name) (Name)
 (Print) (Print)

SIGNED FOR AND ON BEHALF OF THE MANDATARY :

Witness Witness

(Name) (Name)
 (Print) (Print)

ANNEXURE A

CERTIFICATE OF AUTHORITY FOR SIGNATORY TO AGREEMENT IN TERMS OF OCCUPATIONAL HEALTH AND SAFETY ACT, 1993 (ACT NO 85 OF 1993)

The signatory for the company that is the Contractor in terms of the above-mentioned Contract and the Mandatory in terms of the above-mentioned Act shall confirm his or her authority thereto by attaching to this page a duly signed and dated copy of the relevant resolution of the board of directors.

By resolution of the board of directors passed at a meeting held on 20.....,

Mr//Ms whose signature

Appears below, has been duly authorised to sign the AGREEMENT IN TERMS OF THE OCCUPATIONAL HEALTH AND SAFETY ACT, 1993 (ACT 85 OF 1993) on behalf of

.....

SIGNED ON BEHALF OF THE COMPANY :

IN HIS/HER CAPACITY AS :

DATE :

SIGNATURE OF SIGNATORY :

WITNESS : WITNESS :

NAME (in capitals): NAME :



CAPRICORN DISTRICT MUNICIPALITY

C2.1 Special Conditions Of Contract

The following special conditions of contract, which include amendments to, omissions of or additions to certain clauses of the "General Conditions of Contract for Construction Works, (2015)", shall be applicable to the works. In the case of conflict with the mentioned general conditions of contract, these special conditions of contract shall be binding and applicable to the contract.

Each clause with the prefix SCC shall refer to the concurrent clause in the general conditions of contract. Such clause shall substitute, supplement or amend the clause with the same number in the general conditions of contract. Where there is no such concurrent clause in the general conditions of contract the SCC clause shall be numbered as a new clause in the special conditions of contract.

1. DEFINITIONS, INTERPRETATIONS AND GENERAL PROVISIONS

SCC 1.1.1.15 EMPLOYER

Add the following to GCC 1.1.1.15:

The employer is the **Capricorn District Municipality**, and includes any persons appointed by the Employer. The official address is:

Capricorn District Municipality
41 Biccard Street
PO Box 4100
POLOKWANE
0700

SCC 1.1.1.16 ENGINEER

Add the following to GCC 1.1.1.16:

The Engineer means the firm **"SUPERIOR QUALITY ENGINEERING AND TECHNOLOGIES 8"**

2. AMBIGUITY IN DOCUMENTS

Add the following to GCC 2.4.1:

The several documents forming the contract shall rank in the following order of precedence:

- a) contract agreement;
- b) tender form and appendix;
- c) special conditions of contract;
- d) project specifications;
- e) general conditions of contract;
- f) drawings;
- g) standardised specifications (SABS 1200) and particular specifications;
- h) schedule of quantities and summary;
- i) statutory regulations and requirements;
- j) standard SABS specifications (not SABS 1200);
- k) other standard specifications.

If the requirements of any part of the tender document contradict any other part, the document in the highest position on the above order of precedence, shall have preference and apply.

3. PROGRAMME OF THE WORKS

SCC 5.6.1 PROGRAMME

Add the following to GCC 5.6.1:

The critical path of the works shall also be stipulated clearly in the programme.

4. INSTRUCTIONS AND DRAWINGS

SCC 5.9.1 DRAWINGS AND INSTRUCTIONS

Add the following to GCC 5.9.1:

The Contractor is entitled to three (3) free sets of paper plans for normal use and one (1) free set of paper plans on which to enter "as built" information. He shall also be supplied with one (1) free copy of the contract document. These drawings and contract document shall be issued to the Contractor, at the time of commencement of the contract, by the Engineer.

SCC 5.9.7 ENGINEER TO APPROVE CONTRACTOR'S DESIGNS AND DRAWINGS

Add the following to GCC 5.9.7:

Although the Engineer may approve plans and designs of the Contractor, this does not exempt the Contractor from his responsibility. The professional responsibility for such designs shall be that of the Contractor and his Engineer.

5. CLEARANCE OF SITE

SCC 5.15.1 CLEARANCE OF SITE ON COMPLETION

Add the following to GCC 5.15.1:

After completion of the works, the Contractor shall obtain certificates from all concerned land owners on whose property works have been executed, stating that they are satisfied with the condition of their property, which will normally include finishing of pipe trenches and structures, clearance and finishing of all stone quarries, borrow pits, diversions, private or tertiary or haulage roads that have been used for the transport of material, waste material, fencing, gates, etc on their properties. These certificates shall all be handed to the Engineer before he issues the certificate of completion. Notwithstanding a certificate of completion will not be issued if the work is not to the satisfaction of the Engineer.

6. CONTRACTOR'S EMPLOYEES

SCC 4.10.1 ENGAGEMENT OF EMPLOYEES

Add the following to clause 4.10.1:

In the event that the Contractor does not pay local labour or any outside agency employed on a monthly basis, the Employer has the automatic right to deduct such wages from the Contractor's next payment certificate. This will be deducted from either monies due to the Contractor or from retention already retained on the project. Payments to the local labour or outside agency will be made by cession.

SCC 4.10 ACCOMMODATION AND CARE OF EMPLOYEES

Add the following sub clause GCC 4.10.1:

The sanitary facilities provided by the Contractor at his own cost, shall comply with the requirements of the statutory authority concerned.

7. MATERIALS, WORKMANSHIP AND CONSTRUCTIONAL PLANT

SCC 7.2.1 QUALITY OF MATERIALS AND WORKMANSHIP

Add the following to GCC 7.2.1:

No second-hand or reject material shall be used without written permission from the Engineer.

SCC 7.4.4 COST OF TEST SPECIMENS AND TESTS

Substitute GCC 7.4.4 with the following:

- (a) It is deemed that the Contractor has made provision in his tender for all such services and tests that are required from him. It is the duty of the Contractor to, at his own cost and by means of the necessary tests, prove to the Engineer that the works and compaction prescribed, comply with the specification.

8. EXAMINATION OF THE WORKS

SCC 7.5.1 EXAMINATION OF WORK BEFORE COVERING UP

Add the following to GCC 7.5.1:

The Contractor shall give the Engineer a reasonable time to accommodate examinations in his programme, in which case a time for inspection can be agreed upon.

SCC 7.5.3 NOTICE TO BE GIVEN

Add the following to paragraph 2 of GCC 7.5.3:

If the Engineer attends with the purpose of examining any part or materials of the works at any time and date as agreed upon with the Contractor, and it is found that the works or materials are not yet ready for inspection, the Contractor shall be responsible for the costs of such a visit by the Engineer.

9. INDEMNIFICATIONS

SCC 8.4 LIABILITY

Add the following to GCC 8.4.2:

The Contractor indemnifies the Employer against any liability in respect of damage to or physical loss of the property of any person or injury to or death of any person due to not complying with the Occupational Health and Safety Act No 85 of 1993.

Attached in the tender document is the form "Contract between Employer and Contractor" to be completed by the successful Contractor.

SCC 8.6 INSURANCES

Add the following to GCC 8.6.1:

The amount shall be per occurrence. The number of occurrences is unlimited.

Add the following to GCC 8.6.6:

Within 14 days of receipt of the letter of acceptance of his tender, the Contractor shall submit proof of payment to the Engineer.

SCC 8.6 CONTRACTOR AND EMPLOYER TO COMPLY

The Contractor and the Employer shall comply with the terms and conditions of the insurance policies.

As soon as a claim arises, the Contractor shall immediately submit the necessary claims on behalf of himself and the Employer. Copies of all claims and relevant documentation shall be submitted to the Engineer.

SCC 8.6.1 TIME TO REPAIR DAMAGES

If any insurance claim arises, the Contractor shall immediately proceed with the necessary repairs after the assessor, irrespective of whether the claim has been settled, has established the damage. No extension of time shall be granted if there is a waiting period for the settlement of the claim and all costs or losses which the Contractor may have regarding lost time, shall be deemed as covered by the insurance claim, or shall be borne by the Contractor himself.

10. VARIATIONS

SCC 6.5 DAYWORK

Add the following to GCC 6.5.1.2.1:

"Total remuneration" shall include the following:

- Basic wage
- Holiday fund stamp
- Unemployment insurance
- Employee's compensation
- Service bonus

Add the following to SCC 6.5.1.2.3:

The percentage allowance stated in the appendix shall also include travelling cost or travelling allowance (transport of workmen with the Contractor's transport vehicles or transport vehicles hired by the Contractor or for which the Contractor paid), and residence allowance and other wages that are payable to the workmen on the date for submission of tenders.

11. SUSPENSION OF THE WORKS

SCC 5.11 SUSPENSION OF THE WORKS

Add the following to GCC 5.11.1:

No payment shall be made for costs incurred by recompiling a construction programme. In the case of suspension of work, either for a change in sequence or as a result of GCC 5.11.1 to 5.11.3, no payment shall be made for such costs resulting from this.

12. EXTENSION OF TIME FOR COMPLETION

SCC 5.12 TIME FOR COMPLETION

Add the following to GCC 5.12.1:

The time for completion shall exclude the period of builder's holidays from 15 December 2022 till 15 January 2023, as well as other special non-working days and public holidays.

SCC 5.12 EXTENSION OF TIME FOR COMPLETION

Add the following to GCC 5.12.1:

Extension of the time for completion as a result of extra or additional work and unfavourable physical conditions shall only be granted if such work or conditions influence work on the critical path of the programme. If no definitive method for extension of time due to weather conditions and rain is specified, extension of time as a result of this shall also only be applicable if it influences the critical path of activities.

SCC 5.12 SOME REASONS FOR EXTENSIONS OF TIME

Add the following to GCC 5.12.2.2:

42.3.2 Abnormal climatic conditions.

No extension of the time for completion shall be granted on the grounds of normal rainfall conditions, but extension of time in terms of clause 42.2 of the general conditions of contract on the grounds of abnormal rainfall or wet conditions shall be calculated separately for each calendar month or part thereof, according to the following formula. It shall be calculated as follows for the time for completion, including any extension thereof:

$$V = (N_w - N_n) + \left(\frac{R_w + R_n}{X} \right)$$

V = Extension of time for calendar days of the calendar month concerned. If the value of V is negative and the absolute value thereof is greater than N_n, V is taken as negative N_n.

N_w = Actual number of days during calendar month on which a rainfall of Y mm or more is recorded.

N_n = Average number of days in the calendar month concerned on which a rainfall of Y mm or more is recorded in terms of existing rainfall data.

R_w = Actual rainfall for the calendar month concerned in mm.

R_n = Average rainfall for the calendar month in mm deduced from existing rainfall data.

The total extension of time is the algebraic sum of the monthly totals for the period concerned. Extension of time for parts of a month shall be calculated by using pro rata values of N_n and R_n . If the algebraic sum of the monthly totals is negative, no reduction of the time for completion as a result of rainfall shall be applicable.

This formula does not take any delays as a result of flood damage, which may cause further or simultaneous delays; into consideration and flood damage shall be treated separately for purposes of extension of time for completion.

The factor $(N_w - N_n)$ is considered as a fair allowance for deviation from the normal for the number of days on which the rainfall exceeds Y mm. The factor $(R_w - R_n)/X$ is considered as a fair allowance for deviation from the normal for the number of days on which the rainfall does not exceed Y mm, but on which wet conditions will hamper or disrupt work.

For the purpose of this contract the values of N_n , R_n , X and Y will be the relevant values of the nearest weather station to the site as supplied by the South African Weather Bureau. It is the sole responsibility of the Tenderer to acquaint himself with the relevant values. These values shall, at the start of the contract be submitted to the Engineer for scrutiny and approval.

SCC 5.12.3 AVAILABILITY OF PETROLEUM PRODUCTS

The tender shall be based on the available supply of petroleum products required for the completion of the works. If, during the contract period, for reasons outside the control of the Contractor, a restriction or breakdown in the supply of petroleum products may occur, which has an actual influence on the execution of the works for a period of at least thirty (30) days, the Contractor shall make all reasonable efforts to complete the works and he shall be entitled to an extension of the time for completion and he shall also be entitled to such an adjustment of the contract price as deemed reasonable by the Engineer, with consideration of all materials and relevant factors directly responsible or having a direct effect on such restriction or breakdown, with the inclusion of the Contractor's site and overhead costs relevant to the contract.

SCC 5.12.1 EXTENSION OF TIME DUE TO SHORTAGE OF MATERIAL

If, during the preparation of his tender or during construction, the Contractor bases his unit prices on prices obtained from specific material or specific suppliers, it will be accepted that the Contractor has ascertained that such material shall be available on a continuous basis for the execution of the contract.

No extension of time shall be granted if material cannot be obtained locally, but is available from other sources in the country, and no additional remuneration shall be granted for increased costs due to obtaining material from sources in other parts of the country.

If suppliers cannot adhere to the quoted delivery dates, any delays resulting from this shall be considered as a matter between the supplier and the Contractor. Extension of time could be granted under such conditions after complete proofs have been submitted to and accepted by the Engineer, but without any financial implications for the Employer.

13. INTERIM PAYMENTS

SCC 6.10.2 VALUATION OF MATERIAL BROUGHT ONTO SITE

Add the following to GCC 6.10.2:

Material or goods for which payment is made in terms of this clause, shall be identified uniquely and be stored in a space approved by the Engineer, and which will only be used for the purposes of the Employer.

SCC 6.10.3 RETENTION MONEY

Add the following to GCC 6.10.3:

No limit of retention money will be applicable only the % as stated in the Contract Data will be applicable on the contract.

SCC 6.10.4 EMPLOYER'S OBLIGATION TO PAY

Replace GCC 6.10.4 with the following:

The Engineer shall deliver to the Employer and the Contractor the payment certificate referred to in clause 6.10.1 within 07 (seven) days after the receipt by the Engineer of the Contractor's said statement, and the Employer shall pay the amount due to the Contractor within 65 (sixty five) days after receipt by the Employer of the payment certificate signed by the Engineer.

SCC 6.10.1 VALUE ADDED TAX

Add the following to GCC 6.10.1.8:

Value added tax (VAT) shall be calculated on each payment certificate, but it shall remain the responsibility of the Contractor to issue a tax invoice for the certified amount. The Contractor is responsible for the payment of VAT.

14. DEFECTS

SCC 7.8.1 MAKING GOOD OF DEFECTS

Add the following to GCC 7.8.1:

If it is deemed necessary in the opinion of the Engineer, the defects liability period after repairs can be extended for a further period of twelve months or for a period to the discretion of the Engineer, as regards the relevant part of the works that is made good.

15. ADD THE FOLLOWING ADDITIONAL CLAUSE/S

SCC 4.3.1 COMPLIANCE WITH APPLICABLE LAWS

The Contractor shall be conversant with all the requirements, regulations, and standards of the Occupational Health and Safety Act, 1993 (Act No. 85 of 1993), hereinafter referred to as “the Act” and undertakes to execute all the works forming part of this Contract and to operate and utilise all machinery, plant, and equipment in accordance with the Act.

The Contractor shall, from the commencement date of the Contract up to completion or termination thereof, be the Employer’s mandatory regarding occupational health and safety for all activities on the site but without derogating from his status in his own right as an employer or a user in accordance with the Act.

The Contractor is responsible for the compliance with the Act by all his subcontractors, whether or not nominated and/or approved by the Employer.

The Contractor shall, when called upon to do so, enter into and execute an Agreement, as provided for under Section 37(2) of the Act, with the Employer. The Agreement in the relevant form shall be prepared at the expense of the Employer.

16. PENALTY FOR DELAY

GCC 5.13.1 If the Contractor fails to complete the Works to the extent which entitles him to receive a Certificate of Practical Completion in terms of Clause 5.14.2, by the Due Completion Date, the Contractor shall be liable to the Employer for the sum stated in the Contract Data as a penalty for every day that elapses between the Due Completion Date and the actual date of Practical Completion, including special non-working days.

The imposition of such penalty shall not relieve the Contractor from his obligation to complete the Works or from any of his obligations and liabilities under the Contract.



CAPRICORN DISTRICT MUNICIPALITY

C3. Schedule of Quantities

C3.1 Preamble to Schedule of Quantities

1. The general conditions of contract, the special conditions of contract (if any), the specifications (including the project specification) and the drawings are to be read in conjunction with the schedule of quantities.
2.
 - a) The schedule comprises items covering the Contractor's profit and costs of general liabilities and of the construction of temporary and permanent works.
 - b) The Contractor is at liberty to insert a rate of his own choosing for each item in the schedule and his attention is drawn to the fact that the Contractor has the right, under various circumstances, to payment for additional works carried out and that the Engineer is obliged to base his assessment of the rates to be paid for such additional work on the rates inserted in the schedule by the Contractor.
 - c) Clause 8 of each standardised specification and the measurement and payment clause of each particular specification, read together with the relevant clauses of the project specification, set out what ancillary or associated activities are included in the rates for the operations specified.
3. Descriptions in the schedule of quantities are abbreviated and the schedule has been drawn up generally in accordance with the latest issue of Civil Engineering Quantities¹. Should any requirement of the measurement and payment clause of the applicable standardised specification², or the project specification², or the particular specification(s)² conflict with the terms of the schedule or, when relevant, Civil Engineering Quantities¹, the requirement of the standardised, project or particular specification, as applicable, shall prevail.
4. Unless otherwise stated, items are measured net in accordance with the drawings, and no allowance has been made for waste.
5. The prices and rates to be inserted in the schedule of quantities are to be the full inclusive prices to the Employer for the work described under the several items, value added tax excluded. Such prices shall cover all costs and expenses that may be required in and for the construction of the work described, and shall cover the cost of all general risks, liabilities and obligations set forth or implied in the documents on which the quotation is based.
6. A price or rate is to be entered against each item in the schedule of quantities, whether the quantities are stated or not. An item against which no price is entered will be considered to be covered by the other prices or rates in the schedule.
7. The Contractor must price each item in the schedule of quantities in **BLACK INK**.
8. **All prices and rates shall exclude value added tax (VAT)**. The Contractor shall calculate value added tax and enter it at the end of the summary of the schedule of quantities.

9. For the purposes of this Schedule of Quantities, the following words shall have the meanings hereby assigned to them:

Unit	:	The unit of measurement for each item of work as defined in the Specifications.
Quantity	:	The number of units of work for each item
Rate	:	The payment per unit of measurement at which the Tenderer tenders to do the work.
Amount	:	The product of the quantity and the rate tendered for an item
Sum	:	An amount tendered for an item, the extent of which is described in the Schedule of Quantities, the specifications or elsewhere but the quantity of work of which is not measured in any units.
Prime Cost (or PC item)	:	A sum fixed by the Engineer and entered in the Schedule of Quantities as the net sum provided to cover the cost of specific goods or materials to be supplied under the contract, or the net sum to be paid by the Contractor to merchants or others for such articles or materials. ¹
Provisional Sum	:	A sum of money fixed by the Engineer and entered in the Schedule of Quantities to provide for work not defined at the tender stage and includes any allowance specifically made for unforeseen contingencies. ¹
Extra Over (or EO)	:	Qualifies an operation (or combination of operations) which is common in a varying degree to a number of other operations and which is scheduled once as "extra over" those other operations in order to avoid a multiplicity of items each reflecting the degree to which the common operations applies. The term "extra over" invariably denoted double measurement, no deduction being made from one on account of the other. ¹

10. The units of measurements indicated in the Schedule of Quantities are metric units.

The following abbreviations are used in the Schedule of Quantities:

mm	=	millimetre
m	=	metre
km	=	kilometre
km-pass	=	kilometre-pass
m ²	=	square metre
m ² -pass	=	square metre-pass
ha	=	hectare
m ³	=	cubic metre
m ³ -km	=	cubic metre-kilometre
/	=	litre
kl	=	kilolitre
kg	=	kilogram
t	=	ton (1 000 kg)
no	=	number
%	=	percentage
kW	=	kilowatt
PC Sum	=	prime cost sum
Prov. Sum	=	provisional sum
kPa	=	kilopascal
R/only	=	Rate only
W/day	=	Work day

-
- 1) The standard system of measurement of Civil Engineering Quantities of South Africa published by the South African Institution of Civil Engineers.
- 2) See definition in sub clause 2.1 of Part 1 of SABS 0120 : Format and Contents.
- 3) Those parts of the contract to be constructed using labour-intensive methods have been marked in the bill of quantities with the letters LI in a separate column or as a prefix or suffix against every item so designated. The works, or parts of the works so designated are to be constructed using labour-intensive methods only. The use of plant to provide such works, other than plant specifically provided for in the scope of works, is a deviation from the contract. The

items marked with the letters 'LI' are not necessarily an exhaustive list of all the activities which must be done by hand, and this clause does not over-ride any of the requirements in the generic labour intensive specification in the Scope of Works.

- 4) Where minimum labour intensity is specified by the design the contractor is expected to use their initiative to identify additional activities that can be done labour-intensively in order to comply with the set minimum labour intensity target.
- 5) Payment for items which are designated to be constructed labour-intensively (either in this schedule or in the scope of works) will not be made unless they are constructed using labour-intensive methods. Any unauthorised use of plant to carry out work, which was to be done labour-intensively will not be condoned, and any works so constructed will not be certified for payment.
- 6) The contractor's payment invoices shall be accompanied by labour information for the corresponding period in a format specified by the employer. If the contractor chooses to delay submitting payment invoices, labour return shall still be submitted as per frequency and timeframe stipulated by the employer. The contractor's invoice shall not be paid until all pending labour information has being submitted in order for the employer to report on EPWPRS monthly.

DAY WORK LIST

GENERAL

Contractors must complete this list, which will be used to assess the value of work that the Engineer instructs in writing to be done on a day work basis, all in agreement with clause 6.5 of the General Conditions of Contract for Construction Works, Second Edition, 2010 and coupled Special Conditions of Contract. All the rates are fixed and shall be binding till the issuing of the final certificate, except for statutory increases that are announced from time to time.

LABOUR COSTS

Rates for labour as listed below shall include all the allowances as specified in the General Conditions of Contract for Construction Works, Second Edition, 2010 and Special Conditions of Contract. The extra allowance, applicable on Labour costs listed below, is given in the tender appendix and must not be taken into account in this list.

Overtime costs incurred by this contract shall be paid in the same proportion as the amounts actually paid to the employees.

DESCRIPTION	UNIT	RATE
Unschoolled labour	Hour	R
Half- Schooled labour	Hour	R
Pipe layer	Hour	R
Ganger	Hour	R
Foreman / Section leader	Hour	R
Brick layer	Hour	R
Plumber	Hour	R

EQUIPMENT COSTS

Full comprehensive hourly rates, which also include the cost of operators, must be listed below. Rates must also include all the costs of consumable items, maintenance, depreciation, tools, and all other coincidences that shall be necessary to operate the equipment for the purpose it is designed for. The rates must also include all the overhead costs, profits, site supervision, insurance, holidays with payment, travelling costs (or travelling allowances) and residence allowances of operators and any other allowances that are applicable on equipment. The Tenderer must list under each heading the make and specification of the equipment available.

DESCRIPTION	UNIT	RATE
1. Excavators	Hour Hour Hour
2. Front-end loaders	Hour Hour Hour Hour
3. Trucks (m ³ specified)	Hour Hour Hour Hour
4. Water truck (litres specified)	Hour Hour Hour Hour
5. Tractor & Trailer	Hour Hour Hour
6. Compressor	Hour Hour Hour Hour

DESCRIPTION	UNIT	RATE
7. Concrete mixer (litres specified)	Hour Hour Hour Hour
8. "Dumper"(m ³ specified)	Hour Hour Hour Hour
9. Water pumps 75mm..... 100mm..... 150mm.....	Hour Hour Hour
10. Compactors Plate	Hour Hour Hour Hour
11. Other equipment	Hour Hour Hour Hour



CAPRICORN DISTRICT MUNICIPALITY

SUMMARY OF BILLS OF QUANTITIES

PROJECT NO.	SUMMARY OF QUANTITIES	
INF-W16/2023/2024	CAPRICORN HOUSEHOLD SANITATION PROJECT	
SECTION REFERENCE	DESCRIPTION	TENDERED AMOUNT
A1	PRELIMINARY AND GENERAL - FIXED CHARGE AND VALUE RELATED OBLIGATIONS	
A2	PRELIMINARY AND GENERAL - TIME RELATED OBLIGATIONS	
A3	PRELIMINARY AND GENERAL - PROVISIONAL SUMS	
SCHEDULE A		
B1	EARTHWORKS FOR TOILET PITS	
B2	CONCRETE AND MASONRY WORKS	
SCHEDULE B		
SUB-TOTAL A		
ALLOW FOR 10% CONTIGENCIES		
SUB-TOTAL B		
VALUE ADDED TAX [15%]:		
TOTAL TO FORM OF OFFER		

SCHEDULE OF QUANTITIES		CONTRACT No.:		SECTION No.:	
		INF-W16/2023/2024		A1	
ITEM No.	DESCRIPTION	UNIT	QUANTITY	RATE	TOTAL AMOUNT
A1	PRELIMINARY AND GENERAL - FIXED CHARGE AND VALUE RELATED OBLIGATIONS				
1,1	Contractual Requirements:				
1.1.1	Fixed charge contractual requirements.	Sum	1,00		-
1.1.2	Value related contractual requirements.	Sum	1,00		-
1,2	Facilities for Engineer:				
1.2.1	Furnished office - 1 No.	No	1,00		-
1.2.2	Name boards	No	2,00		-
1,3	Facilities for Contractor:				
1.3.1	Offices and storage sheds	Sum	1,00		-
1.3.2	Living accommodation	Sum	1,00		-
1.3.3	Ablution and latrine facilities	Sum	1,00		-
1.3.4	Tools and equipment	Sum	1,00		-
1.3.5	Water supplies, electric power and communications	Sum	1,00		-
1.3.6	Access	Sum	1,00		-
1.3.7	Plant	Sum	1,00		-
1.3.8	Materials on site storage and protection.	Sum	1,00		-
1,4	Other Fixed Charge Obligations:	Sum	1,00		-
1,5	Removal of Site Establishment:	Sum	1,00		-
1,6	Occupational Health & Safety				
1.6.1	Compliance with Occupational Health and Safety ACT including COVID-19 safety compliance	Sum	1,00		-
		TOTAL CARRIED TO SUMMARY			-

SCHEDULE OF QUANTITIES CAPRICORN HOUSEHOLD SANITATION PROJECT		CONTRACT No.:			
		INF-W16/2023/2024			
ITEM No.	DESCRIPTION	UNIT	QUANTITY	RATE	TOTAL
A2	PRELIMINARY AND GENERAL - TIME RELATED OBLIGATIONS				
2,1	Contractual Requirements:				
2.1.1	Time related contractual requirements.	Month	6,00		-
2,2	Facilities for Engineer:				
2.2.1	Furnished office - 1 No.	Month	6,00		-
2.2.2	Telephone	Month	6,00		-
2.3	Facilities for Contractor:				
2.3.1	Offices and storage sheds.	Month	6,00		-
2.3.4	Living accommodation.	Month	6,00		-
2.3.5	Ablution and latrine facilities.	Month	6,00		-
2.3.6	Tools and equipment.	Month	6,00		-
2.3.7	Water supplies, electric power and communications.	Month	6,00		-
2.3.8	Access.	Month	6,00		-
2.3.9	Plant.	Month	6,00		-
2.4	Occupational Health & Safety				
2.4.1	Compliance with Occupational Health and Safety ACT	Month	6,00		-
		TOTAL CARRIED TO SUMMARY			-

SCHEDULE OF QUANTITIES			CONTRACT No.:		INF-W16/2023/2024
CAPRICORN HOUSEHOLD SANITATION PROJECT			INF-W16/2023/2024		
ITEM No.	DESCRIPTION	UNIT	QUANTITY	RATE	TOTAL AMOUNT
PRELIMINARY AND GENERAL - PROVISIONAL SUMS					
3,1	Community Liaison Officer:				
3.1.1	Provision for the employment of CLO for each village	Prov.Sum	1,00	54 000,00	54 000,00
3.1.2	Overheads, charges and profit on item 3.1.1.	%	54 000,00		-
3,2	PSC Attendance at Site Meeting:				
3.2.1	Provision for the attendance of PSC members.	Prov.Sum	1,00	7 200,00	7 200,00
3.2.2	Overheads, charges and profit on item 3.2.1.	%	7 200,00		-
3,3	Basic Skills and Construction Training:				
3.3.1	Provision for basic skills and construction site safety training.	Prov. Sum	1,00	120 000,00	120 000,00
3.3.2	Overheads, charges and profit on item 3.3.1.		120 000,00		-
3,4	Community Development				
3.4.1	Specialist hygiene training, providing training and facilitation to beneficiaries (i.e compensation for community reps, user education materials, health & hygiene workshops) .	Prov. Sum	1,00	250 000,00	250 000,00
	Overheads, charges and profit on item 3.4.1.	%	250 000,00		-
3,5	Student training				
3.5.1	Nominated student	Prov sum	1,00	30 000,00	30 000,00
3.5.2	Overheads, charges and profit on item 3.4.2	%	30 000,00		-
3,6	Provision for numbering of VIP's				
3.6.1	numbering of units as approved by engineers	sum	1,00	20 000,00	20 000,00
		TOTAL CARRIED TO SUMMARY			

		SCHEDULE OF QUANTITIES			CONTRACT No.:	SECTION No.:	
		CAPRICORN HOUSEHOLD SANITATION PROJECT			INF-W16/2023/2024	B1	
LIC	ITEM No.	DESCRIPTION	UNIT	QUANTITY	RATE	NO.OF VIPS	TOTAL AMOUNT
	B1	EARTHWORKS FOR TOILET PITS					
	1,1	Site Clearance:					
LIC	1.1.1	Digging up and removing rubbish, debris, vegetation, hedges, shrubs and trees not exceeding 200mm girth, bush, etc	m ²	4,00		515	-
LIC	1.1.2	Stripping average 100mm thick layer of top soil and dump to a suitable dumping site to be located by the contractor	m ²	4,00		515	-
	1,2	Excavations					
		<i>Excavate in earth not exceeding 2m deep below natural. elevated or reduced around level for</i>					
LIC	1.2.1	Pit excavation and foundation trench	m ³	10,00		515	-
LIC	1.2.2	Extra over all excavations for carting away surplus material from 'excavations and /or stockpile on site to a dumping site to be located by the contractor	m ³	2		160	-
	1.2.3	Extra over all excavations in soft rock in pits and foundation trenches	m ³	2,50		120	-
	1.2.4	Provision for excavation in hard rock	m ³	6		80	-
	1,3	Excavation Ancillaries;					
	1.3.1	Allow for risk of collapse top sides of hole exceeding 1.5m deep	m ²	2,00		80	-
	1,4	Backfill and Compaction:					
LIC	1.4.1	Backfill and compact trenches using labour intensive methods From the excavations, spread, well watered, levelled and compacted in layers not exceeding 150mm thick in back filling around the pit to 95% MOD.AASHTO density at optimum moisture content	m ³	2,00		515	-
	1.4.2	Provision for compaction tests as approved by the engineer	Sum	1,00			15 000,00
				TOTAL CARRIED TO SUMMARY			

		SCHEDULE OF QUANTITIES			CONTRACT No.:	SECTION No.:	
		CAPRICORN HOUSEHOLD SANITATION PROJECT			INF-W16/2023/2024	B2	
LIC	ITEM No.	DESCRIPTION	UNIT	QUANTITY	RATE	NO. OF VIPs	TOTAL AMOUNT
	B2	CONCRETE AND MASONRY WORKS					
		CONCRETE, FORMWORK AND REINFORCEMENT					
		(Finishing top surfaces of concrete smooth with wood float)					
	2,1	FOUNDATIONS					
		(Concrete foundation of PIT to be 130mm thick by 250mm wide)					
LIC	2.1.1	Concrete with a coarse aggregate of 19mm and a minimum compressive strength of 20Mpa at 28 days	m ³	0,65		515	-
		Extra over item 2.1.1	m ³	0,25		80	-
	2,2	CONCRETE TESTS BLOCK					
	2.2.1	Provison for making and testing 150 x150x150mm concrete strength test cubes	Sum	1			8 000,00
	2,3	CONCRETE SUNDRIES					
LIC	2.3.1	Concrete slabs	m ³	2,80		50	-
	2.3.2	Provison for walkways as instructed by engineer	sum	1,00			42 000,00
	2,4	MASONRY					
		Description for brickwork shall be deemed to include for					
		brickforce specified every three course					
		LINED PITS					
		BRICKWORK					
		Brickwork in M4 Blocks/Maxi bricks with cement mortar 1:5 mix					
		All joints grouted in solid with cement mortar					
LIC	2.4.1	140mm Thick wall	m ²	15,00		515,00	-
	2.4.2	Brickforce 220mm wide	m	40,00		515,00	-
			SUMMARY CARRIED FORWARD				

			BALANCE BROUGHT FORWARD			
	2.5	PLASTERING				
LIC	2.5.1	Plaster inside of pit using 1:1:1 cement, plasters and & key-cote sealant mixture.	m ²	14,00	80,00	-
LIC	2.5.2	Extra over item for 2.4.3.1 sealant dealing with high water table,Plaster to height of 1m from bottom.	m ²	5,00	80,00	-
	2.6	SOILCRETE				
LIC	2.6.1	Soilcrete backfill to sides of pit using 7% 32.5 CEM II Portland cement. 'Concrete slab for dealing with high water table(Incl.100mm of soilcrete to be used on the surround of the pit) NB! The area measured for payment shall be determined from the drawings.	m ³	2,50	5	-
	2.7	SUPERSTRUCTURE				
		APPROVED PRECAST PANELS				
31		All precast panels to be purchased from approved suppliers ONLY.				
		Procure and install complete concrete top structure (inclusive of all panels, base & cover slabs, galvanized door, pedestal, seat & lid, vent pipe and fly screen, handwash basin, 10l reservoir, 250 micron DPC for soak pit, all pipe work, fittings and seals) with 25mm concrete screed on top of pre-casted slabs				
	2.7.1	Supply and installation of precast concrete VIP superstructure	No	1,00	505,00	-
	2.7.2	Supply and installation of precast concrete VIP superstructure(Disabled Persons)	No	1,00	10,00	-
			TOTAL CARRIED TO SUMMARY			



CAPRICORN DISTRICT MUNICIPALITY

C4.1 Scope of Work

4.1.1 Employer's objectives

The employer's objectives are to deliver public infrastructure using labour intensive method in accordance with EPWP Guidelines, whereby the local community benefit throughout the entire project and also in doing so provide work place training opportunities to learners who have a Learner-ship Agreements with the Construction Education and Training Authority.

(1) Labour-Intensive works

Labour-intensive works shall be constructed/maintained using local workers who are temporarily employed in terms of the scope of works

(2) Contractors shall engage supervisory and management staff in labour-intensive works that have completed the skills programme including Foremen/Supervisors at NQF "National Certificate: Supervision of Civil Engineering Construction Processes" and Site Agent/Manager at NQF level 5 "Manage labour-intensive Construction Processes" or equivalent QCTO qualifications.

The actual work involved in this contract includes the following:

Construction of 515 VIP toilets within the LEPELLE NKUMPI Local Municipality

4.1.2 Overview of the works

On this Contract the aim is to provide a basic level of services, with regards to improve aspects of the current conditions. The Contract will entail a provision of the services as listed in the Project Specification. Also with regards to EPWP requirements, labour-intensive works comprise the activities described in SANS 1921-5, Earthworks activities which are to be performed by hand, and its associated specification data. Such works shall be constructed using local workers who are temporarily employed in terms of this Scope of Work. Time is of the essence for this contract. The Tenderer shall state the time in calendar months required by him/her to complete the Works. Tenderers offering early completion dates will generally be more favourably received, other things being equal.

4.1.3 Labour-Intensive Works

All the relevant tasks/works shall be constructed using Labour-Intensive Construction Methods only.

4.1.4 Location of the works

The area is situated approximately 80 km from Polokwane and is part of LEPELLE NKUMPI Local Municipality in the jurisdiction of Capricorn District Municipality of Limpopo Province with the following coordinates:

Locality Details

- Province : Limpopo Province
- District : Capricorn District Municipality
- Municipality : LEPELLE NKUMPI Local Municipality

4.1.5. Temporary works

The Contractor shall provide, erect, maintain and remove on completion of the Contract, ample temporary offices and sheds for the proper storage of perishable materials and for the use of his workmen.



CAPRICORN DISTRICT MUNICIPALITY

C4.2 Drawing Descriptions

The following drawings are applicable to the contract:

4.2.1 Key plans

All key plans for this type of project are included in the tender document as "Part C.8 Drawings".

4.2.2 Typical details

All typical details for this type of project are included in the tender document as "Part C.8 Drawings".

4.2.3 Civil engineering drawings

The drawings used for setting up the Bills of Quantities are as indicated above in paragraph 4.2.1 and 4.2.2.



CAPRICORN DISTRICT MUNICIPALITY

C4.3 Procurement

3.4.1 Preferential procurement procedures

The works shall be executed in accordance with the conditions attached to preferences granted in accordance with the referencing schedule.

3.4.2 Scope of mandatory subcontract work

The following portions of the works shall be subcontracted to CIDB registered contractors in accordance with the subcontracting procedures described hereunder:

Competitive Bids shall be invited in respect of each of the above portions of the works in accordance with the relevant provisions of the latest edition of the CIDB Standard for Uniformity in Construction Procurement. The Contract Data in the associated procurement documents shall be based on the use of BIFSA Non-Nominated Subcontract for use with the JBCC Series 2000 Principal Building Agreement / CIDB Standard subcontract (labour only) / JBCC series 2000 Nominated / Selected Subcontract Agreement / SAFCEC General conditions of subcontract (2003 edition) (select appropriate option) / NEC Engineering and Construction Subcontract / NEC Engineering and Construction Short Subcontract with minimal project specific variations and amendments that do not change their intended usage.

The Employer together with the Contractor shall evaluate the Bids received in accordance with the provisions of the Standard Conditions of Bid contained in Annex F of Standard for Uniformity in Construction Procurement. The evaluation panel shall comprise equal representatives from the Employer and from the Contractor.

The Contractor shall without delay enter into contract with the successful Bidding subcontractor based on their accepted Bid submission. The Contractor shall remain responsible for providing the subcontracted portion of the works as if the work had not been subcontracted.



CAPRICORN DISTRICT MUNICIPALITY

C4.4 Construction

4.4.1 Setting out of Works (Sub clause 5.1.1)

The Employer shall arrange for the Contractor to be given sufficient reference pegs from which to work. The value of all bench marks shall be given in writing. The Contractor shall bear the cost of any re-survey and the cost of re-establishment or checking of any pegs, bench marks, etc. disturbed, destroyed or interfered with in any way and the cost of any survey to prove the accuracy of the setting out after any disturbance of or interference with any peg or bench mark. All surveys or re-survey shall be by Surveyors appointed by the Employer."

4.4.2 Applicable national and international standards

SABS 1200

4.4.3 Particular / generic specifications

The relevant provisions of the SABS 1200 (1981 edition) shall apply to the contract with the following amendments:

1115 Replace clause with the following:

The general conditions of contract are the General Conditions of Contract for Construction Works (2015) as published by the South African Institution of Civil Engineering read in conjunction with the Contract Data.

1202 Replace "Clause 15" with "Clause 12".

1206 Replace the first sentence with the following:

The contractor shall comply with all legal provisions in regard to surveying and setting out work.

4.4.4 EPWP labour intensive specification

4.4.4.1 GENERIC LABOUR-INTENSIVE SPECIFICATION

The Generic Labour-intensive specification below is the same as SANS 1921-5, Construction and management requirement for works contracts- Part 5: Earth works activities which are to be performed by hand and should be included in the scope of works without amendment or modification as set out below.

SCOPE

This specification establishes general requirements for activities which are to be executed by hand involving the following:

- a) trenches having a depth of less than 1.5 metres
- b) stormwater drainage
- c) low-volume roads and sidewalks

PRECEDENCE

Where this specification is in conflict with any other standard or specification referred to in the Scope of Works to this Contract, the requirements of this specification shall prevail.

HAND EXCAVATEABLE MATERIAL

Hand excavateable material is material:

- a) Granular materials:
 - i) whose consistency when profiled may in terms of table 1 be classified as very loose, loose, medium dense, or dense; or
 - ii) where the material is a gravel having a maximum particle size of 10mm and contains no cobbles or isolated boulders, no more than 15 blows of a dynamic cone penetrometer is required to penetrate 100mm;
- b) cohesive materials:
 - i) whose consistency when profiled may in terms of table 1 be classified as very soft, soft, firm, stiff and stiff / very stiff; or
 - ii) where the material is a gravel having a maximum particle size of 10mm and contains no cobbles or isolated boulders, no more than 8 blows of a dynamic cone penetrometer is required to penetrate 100mm;

Note:

- 1) A boulder, a cobble and gravel is material with a particle size greater than 200mm, between 60 and 200mm.
- 2) A dynamic cone penetrometer is an instrument used to measure the insitu shear resistance of a soil comprising a drop weight of approximately 10 kg which falls through a height of 400mm and drives a cone having a maximum diameter of 20mm (cone angle of 60° with respect to the horizontal) into the material being used.

Table 1: Consistency of materials when profiled

GRANULAR MATERIALS		COHESIVE MATERIALS	
CONSISTENCY	DESCRIPTION	CONSISTENCY	DESCRIPTION
Very loose	Crumbles very easily when scraped with a geological pick.	Very soft	Geological pick head can easily be pushed in as far as the shaft of the handle.
Loose	Small resistance to penetration by sharp end of a geological pick.	Soft	Easily dented by thumb; sharp end of a geological pick can be pushed in 30-40 mm; can be moulded by fingers with some pressure.
Medium dense	Considerable resistance to penetration by sharp end of a geological pick.	Firm	Indented by thumb with effort; sharp end of geological pick can be pushed in up to 10 mm; very difficult to mould with fingers; can just be penetrated with an ordinary hand spade.
Dense	Very high resistance to penetration by the sharp end of geological pick; requires many blows for excavation.	Stiff	Can be indented by thumbnail; slight indentation produced by pushing geological pick point into soil; cannot be moulded by fingers.
Very dense	High resistance to repeated blows of a geological pick.	Very stiff	Indented by thumbnail with difficulty; slight indentation produced by blow of a geological pick point.

TRENCH EXCAVATION

All hand excavateable material in trenches having a depth of less than 1,5 metres shall be excavated by hand.

COMPACTION OF BACKFILLING TO TRENCHES (AREAS NOT SUBJECT TO TRAFFIC)

Backfilling to trenches shall be placed in layers of thickness (before compaction) not exceeding 100mm. Each layer shall be compacted using hand stampers

- a) to 90% Proctor density;
- b) such that in excess of 5 blows of a dynamic cone penetrometer (DCP) is required to penetrate 100 mm of the backfill, provided that backfill does not comprise more than 10% gravel of size less than 10mm and contains no isolated boulders, or
- c) such that the density of the compacted trench backfill is not less than that of the surrounding undisturbed soil when tested comparatively with a DCP.

EXCAVATION

All hand excavateable material including topsoil classified as hand excavateable shall be excavated by hand. Harder material may be loosened by mechanical means prior to excavation by hand.

The excavation of any material which presents the possibility of danger or injury to workers shall not be excavated by hand.

CLEARING AND GRUBBING

Grass and small bushes shall be cleared by hand.

SHAPING

All shaping shall be undertaken by hand.

LOADING

All loading shall be done by hand, regardless of the method of haulage.

HAUL

Excavation material shall be hauled to its point of placement by means of wheelbarrows where the haul distance is not greater than 150 m.

Table 1: Skills programme for supervisory and management staff

Personnel	NQF level	Unit standard titles	Skills programme description
Team leader / supervisor	2	Apply Labour Intensive Construction Systems and Techniques to Work Activities	This unit standard must be completed, and any one of these 3 unit standards
		Use Labour Intensive Construction Methods to Construct and Maintain the Pump Station	
		Use Labour Intensive Construction Methods to Construct and Maintain Water and Sanitation Services	
		Use Labour Intensive Construction Methods to Construct, Repair and Maintain Structures	
Foreman/ supervisor	4	Implement labour Intensive Construction Systems and Techniques	This unit standard must be completed, and any one of these 3 unit standards
		Use Labour Intensive Construction Methods to Construct and Maintain the Pump Station	
		Use Labour Intensive Construction Methods to Construct and Maintain Water and Sanitation Services	
		Use Labour Intensive Construction Methods to Construct, Repair and Maintain Structures	
Site Agent / Manager (i.e. the contractor's most senior representative that is resident on the site)	5	Manage Labour Intensive Construction Processes	Skills Programme against this single unit standard

4.4.4.2 Employment of unskilled and semi-skilled workers in labour-intensive works

4.4.4.2.1 Requirements for the sourcing and engagement of labour.

4.4.4.2.1.1 Unskilled and semi-skilled labour required for the execution of all labour intensive works shall be engaged strictly in accordance with prevailing legislation and SANS 1914-5, Participation of Targeted Labour.

4.4.4.2.1.2 The rate of pay set for the SPWP is **R160,00 per task or per day**.

4.4.4.2.1.3 Tasks established by the contractor must be such that:

- a) the average worker completes 5 tasks per week in 40 hours or less; and
- b) the weakest worker completes 5 tasks per week in 55 hours or less.

4.4.4.2.1.4 The contractor must revise the time taken to complete a task whenever it is established that the time taken to complete a weekly task is not within the requirements of 3.4.4.2.1.3.

4.4.4.2.1.5 The Contractor shall, through all available community structures, inform the local community of the labour intensive works and the employment opportunities presented thereby. Preference must be given to people with previous practical experience in construction and / or who come from households:

- a) where the head of the household has less than a primary school education;
- b) that have less than one full time person earning an income;
- c) where subsistence agriculture is the source of income.
- d) those who are not in receipt of any social security pension income

4.4.4.2.1.6 The Contractor shall endeavour to ensure that the expenditure on the employment of temporary workers is in the following proportions:

- a) 60 % women;
- b) 55 % youth who are between the ages of 18 and 25; and
- c) 2% on persons with disabilities.

4.4.4.2.2 Specific provisions pertaining to SANS 1914-5

4.4.4.2.2.1 Definitions

Targeted labour: Unemployed persons who are employed as local labour on the project.

4.4.4.2.2.2 Contract participation goals

4.4.4.2.2.2.1 There is no specified contract participation goal for the contract. The contract participation goal shall be measured in the performance of the contract to enable the employment provided to targeted labour to be quantified.

4.4.4.2.2.2.2 The wages and allowances used to calculate the contract participation goal shall, with respect to both time-rated and task rated workers, comprise all wages paid and any training allowance paid in respect of agreed training programmes.

4.4.4.2.2.3 Terms and conditions for the engagement of targeted labour

Further to the provisions of clause 3.3.2 of SANS 1914-5, written contracts shall be entered into with targeted labour.

4.4.4.2.2.2.4 Variations to SANS 1914-5

4.4.4.2.2.2.4.1 The definition for net amount shall be amended as follows:

Financial value of the contract upon completion, exclusive of any value added tax or sales tax which the law requires the employer to pay the contractor.

4.4.4.2.2.2.4.2 The schedule referred to in 5.2 shall in addition reflect the status of targeted labour as women, youth and persons with disabilities and the number of days of formal training provided to targeted labour.

4.4.4.2.2.2.5 Training of targeted labour

4.4.4.2.2.2.5.1 The contractor shall provide all the necessary on-the-job training to targeted labour to enable such labour to master the basic work techniques required to undertake the work in accordance with the requirements of the contract in a manner that does not compromise worker health and safety.

4.4.4.2.2.2.5.2 The cost of the formal training of targeted labour, will be funded by the provincial office of the Department of Labour. This training should take place as close to the project site as practically possible. The contractor, must access this training by informing the relevant provincial office of the Department of Labour in writing, within 14 days of being awarded the contract, of the likely number of persons that will undergo training and when such training is required. The employer must be furnished with a copy of this request.

4.4.4.2.2.2.5.3 A copy of this training request made by the contractor to the DOL provincial office must also be faxed to the EPWP Training Director in the Department of Public Works, Fax Number 012 328 6820 or email cinderella.makunike@dpw.gov.za Tel: 083 677 4026.

4.4.4.2.2.2.5.4 The contractor shall be responsible for scheduling the training of workers and shall take all reasonable steps to ensure that each beneficiary is provided with a minimum of six (6) days of formal training if he/she is employed for 3 months or less and a minimum of ten (10) days if he she is employed for 4 months or more.

4.4.4.2.2.5.5 The contractor shall do nothing to dissuade targeted labour from participating in training programmes.

4.2.2.5.4 An allowance equal to 100% of the task rate or daily rate shall be paid by the contractor to workers who attend formal training, in terms of 4.4.4.2.2.5.4 above.

4.4.4.2.2.5.5 Proof of compliance with the requirements of 4.4.4.2.2.5.2 to 4.4.4.2.2.5.6 must be provided by the Contractor to the Employer prior to submission of the final payment certificate.

4.4.4.3.1 Contractor's default in payment to Labourers and Employees

- (a) Any dispute between the Contractor and labourers, regarding delayed payment or default in payment of fair wages, if not resolved immediately may compel the Employer to intervene.
- (b) The Employer may, upon the Contractor defaulting payment, pay the moneys due to the workers not honoured in time, out of any moneys due or which may become due to the Contractor under the Contract.

4.4.4.3.2 Provision of Handtools

- (a) The Contractor shall provide his labour force with hand tools of adequate quality, sufficient in numbers and make the necessary provisions to maintain the tools in good and safe working conditions

4.4.4.3.3 Reporting

The Contractor shall submit monthly returns/reports as specified below:

- (a) Signed Master rolls/pay sheets of temporary workers (separate) and permanent staff detailing the number, category, gender, rate of pay and signed daily attendance register.
- (b) Copies of certified identity documents of workers
- (c) Number of persons who have attended training including nature and duration of training provided; provide training attendance register.
- (d) Assets created, rehabilitated or maintained in accordance with indicators in the EPWP M&E framework.
- (e) Plant utilization returns
- (f) Progress report detailing production output compared to the programme of works

4.4.5 Plant and equipment

Add Subclause 4.4.5: Restriction on the use of plant.

"Except for the type of plant, and to the extent permitted in terms of the project specification or approved by the Engineer, in writing, the Contractor shall use only hand tools and equipment in the construction of the Works, or portion(s) of the Works, that are required in terms of the project specification to be constructed using labour intensive methods.

Failure by the Contractor to adhere to this clause will put him in breach of contract. The provisions contained in this contract with regard to labour content and labour intensive construction, are binding, and will be enforced accordingly."

The plant and equipment used on the site shall not be inferior to that described in the Schedule of Plant and Equipment.



CAPRICORN DISTRICT MUNICIPALITY

C4.5 Management

4.5.1 Applicable SANS 1921 standards

The following parts of SANS 1921 Construction works standards and associated specification data are applicable to the works:

- 1) SANS 1921-1:2004
- 2) SANS 1921-2:2004
- 3) SANS 1921-6:2004

The abovementioned South African National Standards make several references to the Specification Data for data, provisions and variations that make these standards applicable to this contract. The Specification Data shall have precedence in the interpretation of any ambiguity or inconsistency between it and these standards.

Each item of Specification Data given below is cross-referenced to the clause in the standard to which it mainly applies.

The associated Specification Data is as follows:

SANS 1921-1, Construction and management requirements for works contracts – Part 1: General engineering and construction works	
Clause	Specification data
Essential data	
4.1.7	There are no requirements for drawings, information and calculations for which the contractor is responsible
4.2.1	The responsibility strategy assigned to the contractor for the works is A.
4.3.1	The planning, programme and method statements are to comply with the following: <ul style="list-style-type: none"> • format of programme, • critical path activities and their dependencies, • frequency of updating,
4.3.3	The notice period for inspection is 5 Days
4.7.3	The over break allowances for blasting are provided for in the scope of work.
4.9.3	The trees and shrubs which are not to be disturbed are identified in the scope of work.
4.12.2	The samples of materials, workmanship and finishes that the contractor is to provide and deliver to the employer are: <ol style="list-style-type: none"> 1) concrete works 2) pressure testing results done.
4.14.3	The office accommodation, equipment, accommodation for site meetings and other facilities for use by the employer and his agents are: <ol style="list-style-type: none"> 1) Site office which shall be used for site meetings and for the contractor's use. Such an office shall comprise a minimum of 20m² in area and 3 m high, be ventilated, have good lamination, must be reasonably sound proof, and have a hard floor construction. It shall be furnished with a desk on which drawings can be rolled open and on which there is sufficient writing space and sufficient temporary chairs or benches to accommodate all persons present at site meetings.
4.14.5	The Contractor is required to provide latrine and ablution facilities.
4.14.6	The requirements for the provision and erection of separate sign boards for consultants and subcontractors are: <ol style="list-style-type: none"> 1) The boards must comply with the official standard type signboard of the Employer and be at least 2750 x 1800 mm high. 2) The boards must be constructed with a firm flat exposed face using suitable material of firm construction, painted and lettered according to the standard drawings available from the Employer on request and mounted on sturdy pipe-standards at a height of 1800 mm above natural ground level.
4.17.1	The requirements for the termination, diversion or maintenance of existing services are: <ol style="list-style-type: none"> 1) Water 2) Electricity 3) Sanitation
4.17.3	Services which are known to exist on the site are: <ol style="list-style-type: none"> 1) Water 2) Sanitation 3) Electricity

Additional clauses

1 Site meetings and procedures

The Employer's Representative and the Contractor shall hold meetings relating to the progress of the works at regular intervals and at other such times as may be necessary. The Contractor shall attend all site meetings and shall ensure that all persons under his jurisdiction are notified timeously of all site meetings should the Employer's Representative require their attendance at such meetings.

The Contractor shall keep on site a set of minutes of all site meetings, daily records of resources (people and equipment employed), a site instruction book, a complete set of contract working drawings and a copy of the procurement document and make these available at all reasonable times to all persons concerned with the contract.

2 Water

The Contractor is to provide, and remove and make good upon completion, all the necessary temporary plumbing connections and purchase water from the local authority for the works at his own cost.

3 Electricity

The Contractor is to provide, and remove and make good upon completion, all the necessary temporary electrical connections and installations and purchase electricity from the local authority / Eskom for the works at his own cost.

4.5.2 Particular / generic specifications

The management of the site shall be in accordance with the provisions of the COLTO Standard Specification for Road and Bridge Works for State Authorities (1998 edition), obtainable from the South African Institution of Civil Engineering.

4.5.3 Recording of weather

The Contractor shall erect an effective rainfall gauge on the site and record the daily rainfall figures in a book. Such book shall be handed to the employer's representative for his signature no later than 12 days after rain that is considered to justify an extension of time occurs.

4.5.4 Unauthorised persons

The Contractor shall keep unauthorized persons from the works at all times. Under no circumstances may any person except guards be allowed to sleep on the building site.

4.5.5 Management meetings

Site meetings will be held on a monthly basis. The following parties are required to attend these meetings: the Employer's Representative, the Engineer and/or Representative, the Contractor and/or Representative, the Community Liaison Officer, the Health and Safety Officer and all members of the Project Steering Committee.

4.5.6 Forms for contract administration

These forms will be issued to the Contractor as required.

4.5.7 Electronic payments

Proof of all electronic payments must on request be supplied to the Employer.

4.5.8 Daily records

All accidents and incidents shall be recorded daily in a site diary. Apart from the site diary the Contractor shall provide a site instruction notebook for use by the Engineer. The notebook shall be signed by both the Engineer and the Contractor whenever a site instruction is issued by the Engineer. The Contractor must ensure daily attendance register by temporary workers is signed.

4.5.9 Payment certificates

Contractor to submit claims for the work done. All claims are subjected to verification by the Engineer. Contractor to submit the following documents when submitting the claim for work done to be verified by the Engineer:

- EPWPRS-Data tool template obtained from the Capricorn District Municipality
- Signed temporary contracts for all temporary workers on site
- Certified ID copies for all temporary workers
- Signed daily attendance registers by all temporary workers
- Signed monthly payment register by all temporary workers

4.5.10 Permits

Contractor to ensure that no unauthorised persons are permitted to site

4.5.11 Proof of compliance with the law

Contractor to submit copies of the CIDB Registration and the Company Registration Certificates



CAPRICORN DISTRICT MUNICIPALITY

C5. Project Specification

SCOPE

This project specification is set out in two parts. Portion 1 cover a general description of the project, the facilities available, and the requirements to be met. Portion 2 covers variations and additions to standardised or particular specifications that are applicable to the contract.

The numbering method in portion 2 of this project specification deviates as follows from the method suggested in Code of Practice SABS 1200.

Each clause with the prefix PS shall refer to the congruent clause in the appropriate section of the standardised or particular specification. Such clause shall either substitute, or supplement, or amend the clause with the same number. Where there is no such congruent clause in the standardised or particular specification, the PS clause shall be a new clause in the project specification. Any clause that is referred to in the standardised specification will also include the appropriate project specification

PROJECT SPECIFICATION

PORTION 1: THE WORKS

PS 1 GENERAL DESCRIPTION OF WORKS

Scope of work for Capricorn Household Sanitation (Lepelle Nkumpi) comprises of the following:

- Construction of 515 VIP Toilets within the Lepelle Nkumpi Local Municipality

Tenderers must note that certain rates in this tender are fixed and based on prices that the successful Tenderer shall undertake the complete construction of such installations. Tenderers are also to take note of the fact that the bulk of the work is to be executed by means of labour intensive construction (LIC) methods, where feasible. The execution of the work will be done using the two following methods:

- (i) Established contractor to employ people from the communities where the work is to be done.
- (ii) Nominated emerging sub-contractors, which are to be employed and trained by the established contractor with the assistance of an approved training institution.

The tenderers must take note of the fact that it will be expected of the successful Tenderer to enter into a formal agreement with the Nominated Emerging Contractors (NEC) and all local labour to be employed on the project. The established/main contractor (MC) will be responsible for the quantity and progress of the work of the nominated emerging contractors.

The work to be carried out during the contract period may be given as separate tasks. Each task to be undertaken will be issued as a written instruction by the Engineer and will consist of a detail scope of work and relevant drawings for each particular task.

PS 2 DESCRIPTION OF THE SITE AND ACCESS

Refer to the "PART C.6 Site Information".

PS 3 DOCUMENTATION

PS 3.1 The Provisional Bill of Quantities is included in this document and *must be completed and handed in with the tender*.

PS 3.2 The drawings, for tender purposes, listed under part C3.2 are applicable to this contract

PS 3.3 The Tenderer shall check the Bills of Quantities for missing or duplicated pages or drawings and should any be missing or duplicated, or the reproduction be indistinct, or if any doubt exists as to the full intent or meaning of any particulars or description, or this Bills of Quantities contain any obvious errors, the Tenderer shall notify the Engineer at once who shall promptly give a written directive. No liability whatsoever will be admitted in respect of errors in any tender due to the abovementioned causes.

No alteration, erasure, omission or addition is to be made in the text and conditions of these Bills of Quantities or other documents. Should any such alterations, amendment, note or addition is made, it will not be recognised and the text of the Bills of Quantities or other documents as prepared by the Representative must be adhered to.

PS 3.4 The Tenderer shall examine all documents and shall thoroughly acquaint himself with the nature and extent of the Works and the manner in which they are to be executed as no claim for extra payment in this connection will be entertained.

PS 4 NATURE OF GROUND AND SUBSOIL CONDITIONS ON SITE

No bore tests or investigation of the in-situ material were done.

The water table may be relatively high during the summer months and provision must be made for effective draining of excavations.

It is the Contractor's responsibility to supply and deliver all material that complies with the minimum standards as well as for the building and maintaining of access roads to the works on site, haul areas or dumping sites. No additional payment will be applicable to the above-mentioned, other than the relevant items in the schedule of quantities.

No trial holes were dug along the network layout. Note that the prospective tenderers shall acquaint themselves with the nature of materials on site.

PS 5 DETAILS OF THE CONTRACT

PS 5.1 MAIN CONTRACTS

Work included in this contract involves the scope of work as per paragraph PS1.

The other main components of the work under this contract are:

- a) Establishment of the Contractor's camp.
- b) Site clearance and earthworks.
- c) Provision of all materials, special fittings and accessories as required, to complete the work as prescribed.
- d) Excavation and backfill compacted as specified, of pipe trenches and the removal of all excess material.
- e) Laying, bedding and installation of all pipes and accessories.
- f) Concrete work associated with the abovementioned equipment.
- g) Construction of concrete anchor blocks associated with the above.
- h) Commissioning of the works.
- i) Maintenance on the works for a twelve month period.

PS 6 CONSTRUCTION PROGRAM AND METHODS

The construction site is situated in a built-up area; the Contractor shall ensure the least possible disruption of movement of the public during construction.

Construction methods must be of such a nature that no property or life is endangered. The Employer accepts no responsibility for work that is done without consent by the Engineer outside the site boundaries. The Contractor himself is responsible for liaison and arrangements with the Local Authority in connection with the finalisation and approval of the construction program.

The Contractor is responsible for liaison and the necessary arrangements with the relevant road authorities in respect of the finalisation and approval of the works programme.

Sufficient photos of existing structures, walls, and areas that have to be crossed must be taken by the Contractor and handed over to the Engineer before such operations commence. No payment will be made in this regard and it shall be deemed to be covered in the Preliminary and General items.

Local labourers must do the trench preparation, bedding, handling, laying and backfilling of pipes and fittings. The contractor is responsible to liaise with the Labour Desk for labourers.

No separate payment shall be made for any arrangements with relative local authorities for closing off the current water supply or for the distribution of notices to the public.

The compilation of the construction programme and any amendments thereto during the course of construction shall be at the cost of the Contractor and shall not be measured elsewhere in this contract. The contract has to be completed within the time specified in the "Contract Data" of this document, excluding the builder and public holidays.

PS 7 SITE FACILITIES AVAILABLE

PS 7.1 SOURCES OF WATER SUPPLY, POWER SUPPLY, SANITATION, AND COMMUNICATION

Water for construction purposes will be for the account of the contractor at the ruling tariff and will be supplied at a suitable point, from where the contractor will be responsible to convey the water to the point of usage. Water for human consumption will be from the existing network at the ruling tariff. Electrical power is available from the existing reticulation at ruling tariffs. The Contractor shall make his own arrangement for any water or power he may require. Any extension of time due to delays resulting from these facilities will not be granted.

The Contractor must supply and maintain at his own cost a sufficient number of portable chemical toilets, one of which must be situated at the campsite and the rest in the area of the site.

No waste or sludge must be left uncovered until it is removed. The contractor must operate an efficient solid waste removal system to the satisfaction of the engineer for the duration of the contract.

The Contractor must make his own arrangement for communication and a telephone service.

PS 7.2 LOCATIONS OF CAMP AND DEPOT

A site for the Contractor's camp and depot will be pointed out during the site inspection. No trees may be removed and the Contractor must provide his own firewood.

PS 7.3 HOUSING FOR CONTRACTOR'S EMPLOYEES

No housing is available for the Contractor's employees, and the Contractor shall make his own arrangements for housing his employees or transporting them to and from the site. The Contractor is in all respects responsible for the housing and transporting of his employees, and for the arrangement thereof, and no extension of time due to any delays resulting from this, will be granted.

PS 8 SITE FACILITIES REQUIRED

No housing is required for the Engineer. Other facilities such as an office, telephone, name board, survey equipment, etc. required for the Engineer, are described under the relevant sections.

PS 9 FEATURES REQUIRING SPECIAL ATTENTION

PS 9.1 CONTROL OF WATER

The Contractor is in all respects responsible for the handling of storm water from higher-laying areas, adjacent to the works for the handling of possible sub-surface water and for the handling of spoiled water when disconnecting existing connections or valves. No separate payment shall be made for this, as all costs related thereto shall be deemed to be included elsewhere in the tendered rates.

PS 9.2 "AS BUILT" DRAWINGS

As the work progresses, the Contractor shall keep full records of all amendments to and deviations from the drawings as issued to the Contractor at the start of the contract. The true positions, invert levels and ground levels of all services shall be indicated on the drawings, for which purpose the Contractor shall receive a separate complete set of drawings from the Engineer, at no cost.

The completion certificate shall only be issued after the Engineer has received a properly completed set of "AS-BUILT" drawings from the Contractor. No separate payment shall be made for this service, as all costs related thereto shall be deemed to be included in the related items.

PS 9.3 FINISHING AND TIDYING

Progressive and systematic finishing and tidying will form an essential part of this contract. Under no circumstances shall spoil, rubble, materials, equipment or unfinished operations be allowed to accumulate unnecessarily and in the event of this occurring the Engineer shall have the right to withhold payment for as long as necessary in respect of the relevant works in the area(s) concerned.

PS 9.4 SURVEY BEACONS

No setting out of the pipeline route was done. All proposed pipelines shall be parallel (at least 2,5 m away) to the existing yard boundaries. No separate payment shall be made for this, as all costs related thereto shall be deemed to be included elsewhere in the tendered rates.

PS 9.5 CONSTRUCTION MODUS OPERANDI

Labour-based or labour-intensive construction may be defined as the economically efficient employment of as much labour as is technically feasible to produce as high a standard of construction as demanded by the specification and allowed by the funding available. In other words, projects based on labour-intensive principles aim at devoting the highest feasible proportion of projects costs to unskilled, semi-skilled and skilled labour without jeopardising the technical quality of the product demanded by the specification.

The following regulations must be adhered to so as to ensure that the construction methods used are labour intensive.

- i) The remuneration to local labour for hourly-rated employees and/or daily-based work shall be in accordance with the terms and conditions of Proclamation R1841 of Government Gazette 16833 dated 24 November 1995 or its latest amendment.
- ii) The name, identification number, task performed, and hours worked per day for each labourer shall be recorded by the Contractor. These records shall be submitted to the secretary of the Project Steering Committee on the second working day of each week following the recounted week.

The employment of local labour must be at least **30%**, if at all possible, of the total contract amount. The 30% must be divided as follows:

Percentage of labour	Description
60%	Women
55%	Youth (Above school, but under 36)
2%	Disabled persons

PS 9.6 LOCALLY BASED SUB-CONTRACTORS

Tenderers are encouraged to utilise the services of locally based sub-contractors.

PS 10 TRAINING

PS 10.1 General

A suitably capable Training consultant is to be employed on this project.

Their duty is to identify suitable persons and train them for the following:

- i) Employee Training – community based labour
- ii) Employer Training – community based contractors
- iii) Committee Training – maintenance and operation of the Works (this however falls outside the scope of this Contract)

This project is a project using community-based labour and community based contractors as far as possible.

The Contractor using the necessary plant and labour as he sees fit shall carry out conventional construction. However, the Contractor may only bring in key staff from outside the area that has the necessary skills not available among the local community. Other than key staff, all other labour must be employed from the local communities. As a guideline, key staff would include general foreman, foreman, site managers, buyers, quantity surveyors, etc.

The Training Consultant will provide the necessary training so that the local labourers will have the necessary skills to carry out this work. In this respect, the contractor and the Training Consultant will have to work closely together to identify what skills are required, how many labourers in each trade are required and when this labour will be required, so that the necessary training can be given timeously.

Typical training that is envisaged at this stage includes shuttering, concrete work, reinforcing, team leaders, etc.

The other part of the Contract is work that will be carried out by community-based contractors.

The Training Consultant will identify persons, with the assistance of the Project Steering Committee, and train these persons to establish small community based contracting firms, who will employ local labour. These firms will tender to carry out this work and successful Tenderers will be appointed by the Contractor as nominated sub contractors to execute this work.

Typical training that will be given by the Training Consultant is:

- i) Community based contractors
 - Preparation phase – using a calculator, numeracy, using a scale ruler, reading a building plan, handling administrative tasks in the building industry.
 - Estimating and tendering – marketing the services of a company, seeking, selecting, collecting and studying tender documents, investigating and assessing a site, developing a bill of quantities from building plants, calculating the cost of a project, finalizing tender prices, completing and submitting a tender.
 - Project planning – introducing to planning techniques, pre-tender planning, planning contract activities, contract planning, executing a contract programme.
 - Executing the project – managing the finances of the company, managing materials, administering record systems, managing manpower, completion and handover.

- ii) Community based labour
Local labour will be taught the following skills:
- Excavation if possible, bedding, selected backfill and backfill
 - Pipe laying, valves and fittings
 - Valve boxes, manholes, anchor blocks etc.

Again the Contractor and Training Consultant will have to work closely together to identify what their requirements are and when this labour is needed.

Community based labour training will take place on site before actual production starts. No allowance needs to be made for wages, food or travelling during training.

Training of community-based contractors will take place at a central point. The Provincial Sum allowed in the Schedule of Quantities, makes allowance for travelling and meals for the training of community based contractors.

PS 10.2 Construction and Materials Management

This section applies only to work to be carried out by community-based contractors.

The contractor shall provide construction and material management to the community-based contractors. In this respect, each party has the following responsibilities.

- i) Community Based Contractors
- To tender on the labour-based sub contract work and enter into a contract with the Contractor.
 - To carry out the work according to specification and on time using community based labour.
 - To liaise and co-operate with the contractor regarding specifications, programme, progress, delivery of material, quality of work etc.
 - To provide wheelbarrows, hand tools, clothing, safety equipment, etc. to enable his labourers to carry out the work. All material (pipes, fittings, valves, etc.) to be provided by the Contractor.
 - To receive material required for the task, store it and provide the necessary security until the material is built into the works.
 - To provide the necessary transport for this labour force.
 - To carry out a task in its entirety until final approval and acceptance. In other words there will be no split responsibility. For example a community based contractor will excavate, provide the bedding, selected backfill, backfill, lay pipes, valves and fittings, build valve boxes, manholes, anchor blocks etc. and test the pipes in conjunction with the Contractor.
 - To pay his labourers. VAT etc. and finalize the final account.
- ii) Contractor
- In conjunction with the Training Consultant, establish the needs, training and programming of the work.
 - To assist the Training Consultant in drawing up the agreements of association between the Contractor and the community based contractors where applicable.
 - To enter into nominated sub contracts with the community based contractors.
 - To provide the necessary skills transfer and construction management for the community based contractors to successfully complete this work. This includes setting out of the work, quality control over the work, programming of the work, progress, testing and acceptance thereof.
 - To provide the necessary materials to execute the work. This includes purchasing the required materials, transporting them to the camp site, storage at the campsite, transporting of materials as required from camp site to the sites of the various community based contractors, handling over of the materials.
 - To pay the community based contractors as the work progresses and the Contractor must make allowance in his Tender for this. Retention monies will be as for this Contract. No sureties will be required from the community-based contractors.

- To measure the work and finalize the final account.
- Complete copies of the emerging contractor's contracts to be given to the Engineer for endorsement prior to the contract being signed.

Candidate selection would be according to the requirements for a particular discipline. A Certificate of Achievement should be awarded to a student who has attained a prescribed level of competency.

A provisional amount for training has been recorded in both sections under the Item "Training", in the Preliminary and General portions in the Schedule of Quantities.

PS 11 APPLICABLE STANDARDISED SPECIFICATIONS

Although not bound in nor issued with this document, the following standardised specifications shall form part of the contract and, notwithstanding the provisions of sub clause 2.2 of SABS 1200 A, the editions specified below shall apply:

SABS 1200 A	-	1986	General
SABS 1200 AB	-	1986	Engineers Office
SABS 1200 C	-	1986	Site Clearance
SABS 1200 DB	-	1989	Earthworks (Pipe Trenches)
SABS 1200 L	-	1983	Medium pressure pipe lines
SABS 1200 LB	-	1983	Bedding (Pipes)

PS 10.2 Particular Specification

PSVC : Security Fencing (Removal of Fencing)

PSW : Pumps, Tanks and Valves

The newest additions of above specifications up to and including the month of this tender will prevail.

PROJECT SPECIFICATION

PORTION 2: VARIATIONS AND ADDITIONS TO STANDARDISED SPECIFICATIONS

SABS 1200 A: GENERAL

PS A 3 MATERIALS

PS A 3.1 QUALITY

Substitute the second sentence of the first paragraph of A 3.1 with the following:

Materials shall bear the official mark of the appropriate standard.

Substitute the second paragraph with the following:

The Contractor is responsible for the cost of all testing to ascertain that the materials do comply with the relevant minimum requirements and all such costs shall be deemed to be included in the tendered rates. The cost of control tests done by the Engineer and of which the results do not comply with the minimum requirements shall be for the Contractor's account.

The Contractor shall inform the Engineer of any control testing to be done at least 48 hours before such tests are required and must allow in his program for the time necessary for the tests and the processing of the results thereof.

The handling, storage, transport, and erection of equipment, machinery, and materials shall be strictly in accordance with the requirements of the supplier and/or manufacturer.

All materials shall be new and of the best quality available unless otherwise specified. They must function satisfactorily under prevailing climate and weather conditions at the place of installations.

PS A 4 PLANT

PS A 4.2 Contractor's Offices, Stores and Resources

Add the following to A 4.2:

No housing is available for the contractor's employees and the contractor must make his own arrangements for accommodation and transport of his employees.

PS A 4.3 Hand Tools

The contractor shall provide and maintain all hand tools required for the execution of the Works.

PS A 5 CONSTRUCTION

PS A 5.1 SURVEY

PS A 5.1.1 setting out of the Works

Substitute the first sentence in A 5.1.1 with the following:

Setting out of the works is the sole responsibility of the Contractor and shall be done from the layouts given to him. The proposed network pipes must be placed 2,0m away from the erf boundaries in the road reserve. Any discrepancy shall immediately be reported in writing to the Engineer. Any costs or subsequent costs arising from discrepancies, which had not been reported to the Engineer, shall be the sole responsibility of the Contractor. *The exact position*

of the network pipes shall be determined on site in conjunction with the Engineer and must be approved before construction of the specific section starts.

The Engineer may alter any part of the works to suit local conditions. The Contractor must therefore contact the Engineer immediately after the preliminary setting out of any part of the works before starting with detail setting out, or construction. Only after the Engineer has approved a specific site or part of the works, may the detail setting out and construction commence.

PS A 5.2 WATCHING, BARRICADING, LIGHTING AND TRAFFIC CROSSINGS

Add the following to A 5.2:

The crossing of existing tar and dirt roads must be done in half widths, while the total traffic is accommodated on the other lane.

Road traffic signs shall comply with the requirements of the "South African Road Traffic Signs Manual" and shall be approved by the Engineer before construction commences.

PSA 7 TESTING

PS A 7.4 STATISTICAL ANALYSIS OF CONTROL TESTS

Substitute A 7.4 with the following:

Test results shall not be evaluated by statistical methods. All results shall comply with the specified minimum requirements of the materials concerned.

PS A 8 MEASUREMENT AND PAYMENT

PS A 8.2 PAYMENT

PS A 8.3 Fixed-Charge and Value-Related Items

PSA 8.3.1 Contractual Requirements..... Unit: Sum

The sum shall cover the Contractor's initial costs of providing sureties, insurance of the works and plant, third party or public liability insurance and unemployment insurance to cover his compliance with the requirements of the Workmen's Compensation Act, 1941 (Act NO. 30 of 1941) and any other initial financing obligations of a preliminary and general nature, such as contributions to the CEITB..

The tendered amounts for fixed-charge and value-related items will not be increased, if extension of time for the completion of the works is awarded.

PS A 8.3.2 Establishment of Facilities on the Site

PS A 8.3.2.1 Facilities for Engineer

- a) Furnished office (No) Unit: Sum
- b) Nameboards (1 No.) Unit: Sum

PS A 8.3.2.2 Facilities for Contractor

- (a) Offices, workshop and storage sheds Unit: Sum
- d) Living accommodation Unit: Sum
- e) Ablution and latrine facilities Unit: Sum
- g) Access Unit: Sum

PS A 8.3.3 Other Fixed-Charge Obligations..... Unit: Sum

This item as listed under Schedule A of the bill of quantities is as specified in the standardised specification SABS 1200 A.

PS A 8.3.4 Removal of Site Establishment..... Unit: Sum

The sum shall cover the cost of the demolition on and the removal from the surface of the site of all items established in terms of 8.3.2 and 8.3.3, and shall provide for the making good and the restoring of the Site to the satisfaction of the Engineer

PS A B.8.3.5 OCCUPATIONAL HEALTH AND SAFETY

PS A B.8.3.5.1 Contractor's initial obligations in respect of the Occupation Health and Safety Act and Contractual Regulations..... Unit: Sum

The full amount will be paid on the scheduled rate on condition that:

- (a) The contractor has notified the Provincial Director of the Department of Labour in writing of the project.
- (b) The contractor has made the required initial appointment of Employees and sub- contractors
- (c) The client has approved the contractor's Health and safety plan
- (d) The contractor has set up his Health and safety File and Safety Plan.
- (e) The Contractor has appointed a Health and Safety officer.

The provincial sum shall represent full compensation for that part of the contractor's general obligations in terms of Occupational Health and Safety Act and the Construction Regulation which are mainly a function of time. The sum for the supply of all safety equipment, safety clothing, first aid kit, etc. in order to adhere to the Occupational, Health and Safety Act specifications. The Contractor must familiarise himself with the conditions as per Occupational, Health and Safety Act and adhere thereto. The rate shall cover the Contractor's overheads, changes, and profit on payments for the Service Provider. Contractor to note that this item covers the costs for the preparation and submission of Health and Safety plan and file.

Payment shall be as specified for item 1.3 in the standard specifications

PS A B.8.3.5.2 Occupational, Health and Safety Act..... Unit: Sum

Handling cost in respect of sub-item 8.3.5. A percentage of the payment made to the Occupational health and safety act will be paid to the Contractor under this section. The rate shall cover the Contractor's overheads, changes, and profit on payments for the Occupational health and safety act.

(a) Provision for safety officer

The Contractor should appoint the safety officer who will be full time responsible for all safety issuers on site, and he or she should be full time on site.

The tendered rates include the full compensation for that part of the provision of safety officer in terms of the Occupational Health and Safety Act and the construction regulation which are mainly a function of time. Payment shall be made monthly.

(b) Handling cost in respect of sub-item 8.3.5.2 (a). A percentage of the payment made to the Safety Officer will be paid to the Contractor. The rate shall cover the Contractor's overheads, changes, and profit on payments for the Safety Officer.

PS A B.8.3.5.3 Contractor's time related obligation in respect of the OH&S Act and Construction regulation

The tendered lump sum shall represent full compensation for that part of the contractor's general obligations in terms of Occupational Health and Safety Act and the Construction Regulations which are mainly a function of time. The lump sum will be paid monthly only after payment for item 1.3.3 and item 1.1.5 has been made Payment of the lump sum shall be made monthly (calculated by the division of the lump sum by the number of months remaining)

PS A 8.2.2 Time-Related Items

The tendered amount for a time-related item will be increased; if an extension of time for the completion of the works is awarded on the condition that the activity related to the item tendered for must be sustained during the extended period.

The ratio between the increased amount for a time-related item and the tendered amount must be the same as the ratio between the extension of the time period for the completion of the works and the original time period allowed for completion of the works.

If the works is completed before the end of the original time period allowed for completion of the works, the tendered amount of a time related item that is influenced by the earlier completion would be reduced similarly.

PS A 8.4 SCHEDULED TIME RELATED ITEMS

PS A 8.4.2.1 Facilities for Engineer

- a) Furnished offices Unit: Sum
- b) Telephone for engineer's representative..... Unit: Prov. Sum

PSA 8.4.2.2 Facilities for Contractor..... Unit: Sum

The sum shall cover the Contractor's initial costs of providing sureties, insurance of the works and plant, third party or public liability insurance and unemployment insurance to cover his compliance with the requirements of the Workmen's Compensation Act, 1941 (Act NO. 30 of 1941) and any other initial financing obligations of a preliminary and general nature, such as contributions to the CEITB. Establishment of Facilities on the Site Facilities for Engineer

PSA 8.4.3 Supervision for Duration of Construction..... Unit: Sum

The sum shall cover the costs of on-site supervision and such local administration as the Contractor considers necessary for the proper completion of the Works, and shall cover the cost of the salaries, wages and allowances paid to the site agent, general foreman, section foremen (where applicable), site surveyors, timekeepers, assistants and other site supervisory staff, and of transport incurred in connection with such staff. Plant (designated plant or plant for designated operations or plant for use during Supervision for Duration of Construction

PSA 8.4.4 Company and Head Office Overhead Cost's for the Duration of the Contract.... Unit: Sum

The sum shall cover the Contractor's company and head office overhead costs.

PS A 8.5 SUMS STATED PROVISIONALLY BY ENGINEER

PS A 8.5(a) 1 Community Liaison Officer Unit : P/Sum

The Contractor must pay a salary to a person appointed as the Community Liaison Officer for the project. The amount of payment and payment dates will be determined as soon as the Community Liaison Officer is appointed.

PSA 8.5 (a) 2 PSC Meetings Attendance Unit: P/Sum

The tendered rate shall cover the compensation of all members of Project Steering Committee for attending meetings. The amount of payment and payment dates will be determined on the commencement date of the project. The Engineer should authorise payment before it is made. Proof of payment has to be submitted to Engineer before claim can be certified.

PS A 8.5(a)3 Overheads, charges and profit on (1) above Unit : %

Handling cost and profit in respect of sub-item 8.5(a)1& 1. A percentage of the payment made to the Community Liaison Officer and PSC Meeting attendance will be paid to the contractor. The rate shall cover the Contractor's overheads, charges, and profit on payments for the Community Liaison Officer and PSC members. No payment will be made under this item before payment to the Community Liaison Officer and PSC members.

PS A 8.5(b)1 Training Unit : Sum

Provisional sum for training services supplied by the Training Company. The name and contact details of the Training Company, to be appointed by the Contractor, will be supplied to the Contractor by the Employer or Engineer.

PS A 8.5(b)2 Overheads, changes and profit on (1) above

Unit : %

Handling cost and profit in respect of sub-item 8.5(b)1. A percentage of the payment made to the Training Company will be paid to the Contractor. The rate shall cover the Contractor's overheads, changes, and profit on payments for the Training Company. No payment will be made under this item before any payment is made to the Training Company.

PS C 8.5 EXISTING SERVICES

The services parallel to the pipeline routes must only be removed and re-erected at the positions as indicated and approved by the Engineer and repaired where it was damaged. When the pipeline routes cross fencing or gates temporary wire gates must be provided that must be kept closed. After completion of the work these fences or gates must be repaired to the same condition as before commencement of the work.

PS A 8.5(c)2 Overheads, changes and profit on (1) above

Unit : %

Handling cost in respect of sub-item 8.5(c)1. A percentage of the payment made to the Service Provider will be paid to the Contractor. The rate shall cover the contractor's overheads, changes, and profit on payments for the Service Provider.

PS A 8.7 DAYWORK

Replace A 8.7 with the following:

Daywork will be paid according to the percentage allowance method. For calculating the total remuneration the General Conditions of Contract for Construction Works, Second Edition, 2010 shall apply, with the amendments as in the appropriate special conditions of contract, which is bound into this document. A daywork schedule will be provided for filling in the necessary information.

A 8.8 TEMPORARY WORKS

PS A 8.8.2 Accommodation Of Traffic

Unit: Sum

Add the following to A 8.8.2:

The rate shall cover all costs pertaining to the provision, erection, moving, re-erection and maintenance of all temporary barricades, road signs, lights, flagmen, etc. as required, for the guarding and protection of the works, for the construction, gravelling and maintenance of access roads and detours to the site of the works, borrow pits or spoil sites, as well as for the later removal or the cleaning and tidying up thereof.

PROJECT SPECIFICATION

PORTION 2: VARIATIONS AND ADDITIONS TO STANDARDISED SPECIFICATIONS

SABS 1200 AB: ENGINEER'S OFFICE

PS AB 3 MATERIALS

PS AB 3.1 NAME BOARDS

Substitute "South African Institution of Civil Engineers" in the first paragraph of AB 3.1 with "South African Association of Consulting Engineers".

PS AB 3.2 OFFICE BUILDING

Replace AB 3.2 with the following:

Prior to commencing with work, the contractor shall provide and furnish for the use of the engineer's representative and his staff one office (3.0 x 4.5m Wendy House Type with veranda) in an approved position. The Engineer will indicate the position. All plans shall be submitted to the engineer for approval, before the commencement of erection.

The office with a minimum floor area of 13.50m² (the smaller dimension at least 3.0m) with a ceiling height of minimum 2.1m, shall also have one toilet apart from the office building for the exclusive use of the engineer's representative.

The office shall be provided with lined walls and boarded ceilings and floor and suitable door with secure locks. The office shall be ventilated, weather proof and waterproof and shall have windows with an area to at least 20% of the floor area. The office shall be insulated to provide comfortable working conditions.

Internal furnishings shall include:

- One desk (1,5m long x 1,0m wide x 0,9m high) with lockable drawers with keys
- One drawing table
- Eight desk chairs
- One table (2,0m long x 1,0m wide x 0,9m high) with smooth top.

PS AB 4 PLANT

PS AB 4.1 TELEPHONE AND FAX

Replace AB 4.1 with the following:

The Contractor shall supply the Engineer with a cellular telephone service for the exclusive use of the Engineer and Engineers Representative for official purposes for the duration of the contract.

PS AB 5 CONSTRUCTION

PS AB 5.1 NAME BOARDS

Add the following to AB 5.1:

The name boards with EPWP logo as per EPWP guidelines shall be erected within a month of the commencement date of the contract and shall be placed at the position indicated by the Engineer. Any damage to these boards shall be repaired within seven days of a written instruction issued by the Engineer. No payment shall be made in terms of the contract prior to the erection of the name boards.

The Contractor will be permitted to erect a maximum of two of his own name boards, in positions approved by the Engineer. The Engineer reserves the right to order the removal of these boards if they are not kept in good repair.

PS AB 5.5 SURVEY ASSISTANTS

Substitute "two or more suitably educated survey labourers" in the first sentence of PS 5.5 with "two semi-skilled labourers."

PS AB 5.6 SURVEY EQUIPMENT

The Contractor shall provide the following tested and approved survey equipment on site for the duration of the contract and for the use of the Engineer whenever needed:

- a) one tachometer capable of reading to minimum 20 seconds and maximum 6 seconds of arc, plus tripod;
- b) one automatic level plus tripod;
- c) two tachometer staffs and one level staff, all graduated metrically;
- d) one 5m and one 100 m tape measure; and
- e) diverse surveyors necessities like paint, pegs, etc.

The above-mentioned equipment may by arrangement be shared between the Contractor and the Engineer's representative.

The Contractor shall keep the equipment continuously insured against any loss, damage, or breakage, and he shall indemnify the Engineer and the Employer against any claims in this regard.

The Contractor shall maintain the equipment in good working order and keep it clean throughout the contract period.

PS AB 8 MEASUREMENT AND PAYMENT

PS AB 8.2 PAYMENT

PS AB 8.2.2(a) Office buildings Unit: Sum

The rate shall cover all time-related costs pertaining to the office building as prescribed in PS AB 3.2.

PS AB 8.2.2(b) Telephone and fax Unit: Sum

The rate shall cover all time-related costs pertaining to the telephone and fax as prescribed in PS AB 4.1.

PS AB 8.2.2(c) Name boards (2 off) Unit: Sum

The rate shall cover all time-related costs pertaining to the name board/s as prescribed in PS AB 5.1.

PS AB 8.2.2(d) Survey assistance and equipment Unit: Sum

The rate shall cover all time-related costs pertaining to the survey assistants and equipment as prescribed in PS AB 5.6.

PROJECT SPECIFICATION

PORTION 2: VARIATIONS AND ADDITIONS TO STANDARDISED SPECIFICATIONS

SABS 1200 C: SITE CLEARANCE

PS C 3 MATERIAL

PS C 3.1 DISPOSAL OF MATERIAL

Substitute the first sentence of C 3.1 with the following:

Material obtained from clearing and grubbing shall be disposed of at the site indicated at the site inspection. If such a site is indicated at tender stage, the cost of transporting material and debris will be included under 8.2.1.

Loading and off-loading should be done by hand and the contractor must price accordingly under item 8.2.1.

PS C 5 CONSTRUCTION

PS C 5.1 AREAS TO BE CLEARED AND GRUBBED

Substitute the first sentence of C 5.1 with the following:

Unless otherwise indicated by the Engineer, clearing and grubbing are limited to a 2,5m wide strip along the pipe route. Measurement and payment for clearing and grubbing shall only occur for areas as required in writing by the Engineer.

The Contractor may proceed with clearing and grubbing after the handing over of the site.

PS C 5.2 CUTTING OF TREES

PS C 5.2.3 Preservation of Trees

PS C 5.2.3.2 Individual trees

Add the following to C 5.2.3.2:

Trees outside pipeline routes must be left standing and undamaged, except where otherwise ordered in writing by the Engineer.

A penalty of **R15 000,00** per tree for trees damaged and/or removed will be charged.

PSC 5.3 EXISTING FENCING

The fencing parallel to the pipeline routes must only be removed and re-erected at the positions as indicated and approved by the Engineer and repaired where it was damaged. When the pipeline routes cross fencing or gates temporary wire gates must be provided that must be kept closed. After completion of the work these fences or gates must be repaired to the same condition as before commencement of the work.

PS C 8 MEASUREMENT AND PAYMENT

PS C 8.2 SCHEDULED ITEMS

PS C 8.2.1 Clear and grub (1.0m wide) Unit: m

The removal of all rocks and boulders on site over 0,15 m³ will be paid under sub clause D 8.3.2(b). The removal of hard rock other than boulders will be paid under sub clause PS DB 8.3.2(b).

PSC 8.2.2 Remove and grub large trees and tree stumps of girth

- a) over 1 m and up to and including 2 m Unit: No
- b) over 2 m and up to and including 3 m Unit: No

The girth of a tree or stump will be measured at the narrowest point of the tree or stump in the first metre of its height above ground level. Trees and stumps of girth exceeding 1 m will be measured individually and classified according to site in increments of 1 m as indicated above.

The rate shall cover the cost of clearing and grubbing trees and stumps of all sizes, cutting branches, backfilling holes, and removing, transporting, and disposing of all such trees, stumps, and branches and associated material.

PSC 8.2.3 Remove and grub all trees and tree stumps regardless of girth Unit: No

In exceptional circumstances, where construction is carried out through plantations or where the quantity of trees or girth exceeding 1 m renders individual measurement impracticable the project specification may provide that the clearing and grubbing of trees be measured in hectares. If this method of measurement is used the areas to which it is applicable will be defined clearly on the drawings and the reason for adopting the method of measurement will be stated in the project specification.

The rate shall cover the cost of all operations specified in .8...2.2.

PSC 8.2.5 Take down existing fence..... Unit: m

The rate shall cover the cost of taking down the fences, coiling wire, sorting and stacking all material at sites indicated by the Engineer and the cost of loading, transporting and offloading such material.

PROJECT SPECIFICATION

**PORTION 2: VARIATIONS AND ADDITIONS TO
STANDARDISED SPECIFICATIONS**

SABS 1200 DB: EARTHWORKS (PIPE TRENCHES)

PSDB 1 SCOPE

This specification covers earthworks for trenches for all types and sizes of pipes. It covers excavation, the preparation of a trench bottom, backfilling and the reinstatement of surfaces.

PS DB 3 MATERIALS

PS DB 3.1 CLASSIFICATION FOR EXCAVATION PURPOSES

PS DB 3.1.1 Method of Classifying

Substitute DB 3.1.1 and DB 3.1.2(a), (b) and (c) with the following:

The Engineer shall classify excavated materials as Soft Class and Rock will be measured individually as extra-over items.

TABLE 1 : CLASSIFICATION OF MATERIALS

CLASSIFICATION	DESCRIPTION
Soft	All material other than rock
Rock	Material which cannot be economically fragmented and loosened for removal by hand implements and pneumatic tools, except by drilling and blasting or the use of rock breaking equipment.

In the first instance, the classification shall be based on the descriptions given in Table 1. In the event of disagreement between the Contractor and the Engineer, the Engineer shall reclassify the material in accordance with relevant specifications and without being unreasonable to the Contractor. The decision of the Engineer on the classification shall then, subject to the provisions of the Contract, be final and binding.

The Contractor shall notify the Engineer of the presence of what he considers to be rock immediately upon discovery thereof. The Engineer will inspect the material and decide whether or not it warrants the use of pneumatic tools or rock breaking equipment. In the case of isolated boulders set in a soil matrix, the Engineer may order the Contractor to either widen the excavation or roll the boulders sideways or lift the boulders out from the trenches.

In the event that the Engineer decides that the use of pneumatic tools, rock breaking equipment, or blasting is necessary, he will classify the material accordingly and arrange for the quantity thereof to be measured. The Construction Manager will supply necessary pneumatic equipment and arrange for others to break up rock into manageable pieces.

PS DB 3.5 BACKFILL MATERIALS

- a) Substitute "from trenches" in DB 3.5(a) with "from trenches and street excavations".

Add the following to DB 3.5(b):

- c) Road crossings, access to services, farms and camps and any section that fall within the road reserve shall be classified as areas subject to loads from road traffic and must be compacted accordingly to the top of the trench (natural ground level).

PS DB 3.7 SELECTION OF MATERIAL FOR REPAIR WORK

If the excavation of a pipeline damages an existing road surface, the Contractor must stockpile material from the top 200mm of such a road surface in order to reuse it as sub base for the repairing of the road crossing.

If necessary gravel material that is suitable for the reparation of road surfaces must be imported.

The Contractor must make provision in his tariffs for compaction in road reserves for the selection of excavated material as specified above.

PS DB 4 PLANT

PS DB 4.1 EXCAVATION EQUIPMENT

Add the following to DB 4.1:

An adequate number of suitable tools, including hand stampers, wheelbarrows and hosepipes shall be provided by the Contractor. The Contractor will supply mechanical compaction equipment and when required pneumatic and rock breaking equipment.

All excavations exceeding the specified widths shall be backfilled with approved selected material. No payment shall be made for this and all relevant costs shall be deemed to be included in the tendered rates.

PSDB 5 CONSTRUCTION

PSDB 5.1 PRECAUTIONS

PS DB 5.1.1.1 Water in Trenches

Water in pipe trenches may cause movement of the pipes as a result of flotation and backfilling must therefore be executed as quickly as possible. If movement of the pipes does occur the contractor must, unless otherwise instructed by the Engineer, remove the pipes from the trench and reinstall it at his own expense.

PS DB 5.4 EXCAVATION

Add the following to DB 5.4:

"Excavation and backfilling of pipe trenches on sidewalks in the residential area shall be done in such a manner as to ensure the least possible disruption to the public and access to the properties. No additional payment shall be made for this and all relevant costs shall be deemed to be included in the tendered rates.

PS DB 5.5 TRENCH BOTTOM

Substitute "90 %" in the second paragraph of DB 5.5 with "93 %".

PS DB 5.5.1 Over Excavation of Trenches

Where pipe trenches are excavated deeper than specified or shown on the drawings, these excavations must be backfilled with suitable approved selected material in layers of not more than 150mm uncompacted thickness and must be compacted to the thickness of the adjoining in-situ material or as prescribed by the Engineer.

PS DB 5.6 BACKFILLING

PS DB 5.6.1 General

Backfilling in road reserves must be compacted in 100mm layers up to natural ground level.

Where prescribed by the Engineer all surplus material must be neatly piled over the real trench width to a height not more than 150mm higher than the adjoining level.

PS DB 5.6.3 Disposal of Soft Excavation Material

Add the following to DB 5.6.3:

All surplus and unsuitable material as described in DB 5.6.3 shall be disposed of at the spoil site, (as described in PS D 5.2.2.3) and levelled.

PS DB 5.7 COMPACTION

PS DB 5.7.2 Areas Subject To Traffic Loads

Add the following to DB 5.7.2:

All pipe trenches within road crossings, accesses to services, farms and camps that fall within the road reserve, will be regarded as areas subject to traffic loads. Backfilling of trenches that are subject to traffic loads will be executed in layers of 100mm as follows:

Item	% mod AASHTO	Final Layer Thickness
Approved Backfill	93%	200mm
Main Backfill up to road layers	96%	200mm
Sub-base	97%	200mm
Base	98%	175mm

PS DB 5.9 REINSTATEMENT OF SURFACE

PS DB 5.9.2 Private Property and Commonage

Add the following to DB 5.9.2:

Gardens and lawns shall be repaired to the original standard where they were crossed. Grass and plants shall be taken out of the ground, temporarily stocked, watered during construction, and replanted after backfilling.

PSDB 8 MEASUREMENT AND PAYMENT

PSDB 8.2 COMPUTATION OF QUANTITIES

PS DB 8.2.4 Shoring

Add the following to DB 8.2.4:

Shoring will only be measured and paid for, if the Engineer gives written approval before it is installed.

PSDB 8.3.2 Excavation

(a) Excavation in all material for trenches, backfill, compact and dispose of surplus material..... Unit (m)

Item will be provided for various pipe diameters in steps not greater than those specified in 5.2 and various depths in increments of 1.0 m measured to the bottom of the bedding layer (see Drawing DB 2, DB 3, and DB 4). Where measured volumetrically in terms of 8.1.2 (a), the volume of excavation will be computed in accordance with 8.2.2 and 8.2.3

The rate shall cover the cost of the same operation in heading where the Contractor elects to use such a method of excavation. The volume or length will be measured for payment on the assumption that normal trench excavation has been carried out. The volume or length in the undisturbed prism of material between the top of the tunnel and ground level will be classified as soft excavation in terms of 3.1. No additional payment will be made for such headings and no deductions will be made for reduced excavation quantities.

(b) Extra-over item (a) above for:

- 1. Intermediate excavation Unit: m³
- 2. Hard rock excavation..... Unit: m³
- 3. Hand excavation and backfill where ordered by the engineer. Unit: m³
- 4. Soil Crete backfilling where directed by the engineer. Unit: m³

Separate items will not be provided for depth increment, volume will be computed from the trench width determined in accordance with 8.2.3 and the depth from the top of the intermediate or hard rock excavation, as the case may be, either to the bottom of the same material or to the bottom of the trench as specified in (a) above, whichever is the lesser (see Drawing DB 5

The rates shall cover the additional cost of the excavation and hauling of the more difficult material of unsuitable material.

c) Excavate and dispose of unsuitable material from trench bottom (provisional)..... Unit: m³

The volume will be computed from the trench width determined in accordance with 8.2.3 and m³ the additional depth ordered.

The rate shall cover the cost of the excavation of the additional depth in any material, the disposal of the unsuitable material as specified for soft: excavation in 5.6.3 within freehaul distance and the backfilling of the additional depth with suitable material from the side of the trench.

PSDB 8.3.3 EXCAVATION ANCILLARIES

PSDB 8.3.3.1 Make up deficiency in backfill material

- a) from other necessary excavations on site Unit: m³
- b) by importation from-designated borrow pits Unit: m³
- c) by importation from commercial or off-site sources selected by the Contractor Unit: m³

Items (b) and (c) above will not be measured for payment unless importation has been ordered in writing. The volume will be computed from the trench width determined in accordance with 8.2.3 and the depth from the top of the backfill to the top of the bedding as shown on Drawing DB-1 or the actual depth of backfill used to make up the deficiency or the depth of additional excavation ordered in terms of B.3.2(c), as applicable.

The rate for material from other necessary excavations on site shall cover the cost of selection of suitable material, the moving of the material to points alongside the trench spaced to suit the Contractor's method of working, and the disposal of the material that is replaced, all within freehaul distance.

The rate for material from designated borrow pits shall cover the cost of royalties, if applicable, excavation and selection of suitable material, the moving of the material to points alongside the trench spaced to suit the Contractor's methods of working, and the disposal of the material that becomes surplus as a result of the importation, all within freehaul distance.

The rate for material from commercial or off-site sources selected by the Contractor shall cover the cost of the acquisition of the material (including royalties, if applicable), the moving of the material to points alongside the trench spaced to suit the Contractor's methods of working, and the disposal of the material that becomes surplus as a result of the importation, all within freehaul distance (see Subclause 5.2.5.1 of SABS 1200 D or Subclause 5.2.6.1 of SABS 1200 DA, as applicable).

PSDB8.3.3.2 Opening up and closing down of designated borrow pitUnit: Sum

This item will only be scheduled when a new borrow pit has to be established or when access to an existing borrow pit has to be established.

With the exception of the cost of the removal and spreading back of the topsoil (if scheduled), the sum shall cover the cost of opening up and of restoring the Site as specified in Subclause 5.2.2.2 of SABS 1200 D or Subclause 5.2.2(f) of SABS 1200 DA, as applicable.

PSDB 8.3.5 Existing Services

Existing Services-that Intersect or Adjoin a Pipe Trench (see Sub-clauses 5.1.2 and 8.3.8 of SABS 1200 D or Sub-clauses 5.1.3 and 8.3.5 of SABS 1200 DA, as applicable.)
(See Subclauses 5.1.2 as applicable.)

- (a) Services that intersect a trench (angles between centre-lines in plan of 45-90°)..unit (No)

Except where water pipes are to be recovered, existing water pipes, sewers, stormwater pipes, concrete-lined channels and drains, box culverts, electric cables, ducts, kerbs, channels, erf connections and various sizes of pipes and services that intersect a trench of specified width and require various degrees of care, whether or not their presence is known before they are uncovered, will be measured separately. The unit refers to one service, but services that are so grouped that they can be contained within a horizontal dimension of 200 mm measured at right angles to the axis of the services will be measured as one unit.

- (b) Services that adjoin a trench (parallel to or at an angle between centre-lines in plan of less than 45O) Unit⊗No)

In a case where a trench of specified width

1 runs parallel to or at an angle (in plan) of less than 45° to an existing service, and is such that the nearer side of the bottom of the trench lies at least partly between a vertical plane and a plane that lies at an angle of 45° below the horizontal, both planes passing through the axis of the service, the length of service within the minimum base width of the trench, determined in accordance with 5.2, will be measured for payment under this item and the remaining length, the side of the trench which, in the opinion of the Engineer, is rendered liable to collapse because of the existence of such service, will be measured for shoring (see 8.3.4(a)). The rate for an item scheduled in terms of (a) and (b) above shall cover the additional cost of

- i) care in excavation necessitated by the presence of such service in or across the trench;
- ii) protecting and maintaining such service in operation by means of temporary supports or shoring, as necessary;
- iii) delays and disruption of the progress of the work due to the existence of the service¹ and
- iv) repairs necessitated by damage caused by the Contractor.

PS DB 8.3.6 Finishing

PS DB 8.3.6.1 Reinstate road surfaces complete with all courses

Unit: m²

Replace DB 8.3.6.1 with the following:

- a) Gravel

Unit: m²

The area will be calculated from the length of finished road or paved surfaces as applicable and with the trench width taken as 0,8m. Payment for finishing will be additional to that for excavation covered by 8.3.2.

The rate shall cover the cost, selective excavation (including the equipment that is required to break up, remove and, if necessary, stockpile the original surface material), and subsequently of reinstating and compaction and shall include the cost of delays and the cost of any risk of having to repair damage as specified in DB 5.10. Compaction to be according to PS DB 5.7.2

PROJECT SPECIFICATIONS

PORTION 2: VARIATIONS AND ADDITIONS TO STANDARDISED SPECIFICATIONS

SABS 1200 GA: CONCRETE (SMALL WORKS)

PSG1 SCOPE

This specification covers the requirements for concrete (plain and reinforced) for small works associated with pipelines, roads, railways, pump stations, etc. It covers the basic materials, the plant and formwork required, the quality, manufacture, and curing of concrete, tolerances in workmanship, testing, and the methods by which the finished structure is to be measured for the purposes of payment

PSGA 3 MATERIAL

PSGA 3.2.1 Applicable Specifications

Add the following to G 3.2.1:

Portland cement that conforms to SABS 471

PSGA 3.2.2 Storage of Cement

Add the following to G 3.2.2:

Consignments of cement shall be used in the same sequence as that in which they are delivered to site. No cement shall be used which has been stored on site for a longer period than 6 (six) weeks. All cement so stored for a longer period than 6 (six) weeks, all cement damaged in any way, and all cement which does not comply with the specification, shall be removed immediately and permanently from the site.

PSGA 4 PLANT

PSGA 4.4 Formwork

PSGA 4.3.3 Ties

Add the following to G 4.4.3:

No ties will be allowed in vertical walls and permanent metal ties shall have a minimum concrete cover of 40 mm. Tie holes shall be filled with an approved non-shrink epoxy grout.

PSGA 5 CONSTRUCTION

PSGA 5.1 REINFORCEMENT

PSGA 5.1.3 Cover

Substitute G 5.1.3 with the following:

The cover of concrete over reinforcement, unless otherwise indicated on the drawings, shall be not less than 40 mm.

PSGA 5.2 FORMWORK

PSGA 5.2.1 Classification of Finishes

Add the following to G 5.2.1:

The following surface conditions are required in the various portions of the finished concrete:

(a) **Rough**

Concealed surfaces and surfaces lower than 100 mm below finished ground level.

(b) **Smooth**

All surface finishes not classified as "rough" in paragraph (a) shall be classified as "smooth". All exposed edges unless otherwise indicated on the drawings, shall be chamfered 20 mm x 20 mm by means of triangular fillets fixed to the formwork.

PSGA 5.4 CONCRETE

PSGA 5.4.1 Quality

PSGA 5.4.1.2 Consistency

Add the following to sub clause G 5.5.1.2(a):

The slump of concrete used in water retaining structures may not be less than 30mm and not more than 60mm.

PSGA 5.4.1.5 Strength concrete

Add the following to G 5.5.1.7:

The grade of strength concrete and the maximum nominal size of coarse aggregate for each portion of the works, unless otherwise indicated on the drawings, shall be as follows:

(a) Blinding layers and encasing of pipes	15 MPa/19 mm
(b) Benching	20 MPa/19 mm
(c) Screeds	20 MPa/10 mm
(d) Reinforced concrete	25 MPa/19 mm

PSGA 5.4.1.7 Durability

Concrete shall be so proportioned to ensure that the water/cement ratio does not exceed 0,5 and, to ensure workability, water-reducing admixtures of approved manufacture shall be used in preference to increasing the cement content.

PSGA 5.4.8 Concrete Surfaces

Add the following to GA 5.4.8.1:

Concrete surfaces under screeds, granolithic finishes or benching shall be brought up to a plane, uniform surface with a suitable screed board.

PSGA 5.4.11 Construction Joints

The use of construction joints must be minimised and may only be placed as shown on the drawings or at positions as approved by the Engineer.

At all construction joints in walls a PVC water stop without a centre bulb must be placed as shown on the drawings.

Alternative materials with similar properties may be proposed but may only be installed after approval of the Engineer.

PSGA 5.5.10.4 Wood-floated finish

Where wood floating is specified or scheduled, the surface shall first be given a finish as specified in G 5.5.10.1 and after the concrete has hardened sufficiently; it shall be floated to a uniform surface free from trowel marks. The screed surface shall be wood-floated, either by hand or machine, only sufficiently to produce a uniform surface free from screed marks.

PSGA 5.5.10.5 Steel-floated finish

Where steel floating is specified or scheduled, the surface shall be treated as specified in PS G 5.5.10.4 except that, when the moisture film has disappeared and the concrete has hardened sufficiently to prevent laitance from being worked to the surface, the screed surface shall be steel-trowelled under firm pressure to produce a dense, smooth, uniform surface free from trowel marks.

PSGA 8 Measurements and Payment

PSGA 8.1.1 Formwork

Formwork, other than formwork covered by 8.1.1.2 and 8.1.4, will be measured as the net area of the face of the concrete to be supported during the deposition of concrete. No deduction will be made for fillets and splays of size up to 50 mm x 50 mm or for openings of diameter up to 0,7 m or of area up to 0.5 m².

Formwork in continuous lengths of narrow widths and of fillets or splays over 20 mm x 20 mm will be measured by length, the width or range of widths being stated in the schedule. Boxing-out, the forming of holes, and other such operations will be measured by number, basic dimensions, perimeters, or drawing references, as stated in the schedule.

The unit rate shall cover the cost of all parts of formwork in contact with the concrete, and the necessary bearers, struts, and other supports, plus the labour and plant necessary to erect and strike such formwork.

PSGA 8.1.2 Reinforcement

Steel for normal reinforced concrete will be measured net by mass of all bars, including supporting steel detailed on the reinforcing schedules. The mass will be computed from the nominal bar size and nominal mass per unit length. No allowance will be made for cutting, waste, spacer devices (materials other than steel bars), or binding wire.

Steel reinforcement for precast concrete units will not be measured unless so scheduled (see 8.6).

Welded mesh will be measured by area as shown on the drawings, No allowance being made for cutting, waste, laps, or deductions for end cover. The areas measured will be those of the concrete floor or slab being reinforced by means of mesh. In the case of continuous unit partly reinforced by mesh, the area will be computed from the outside

dimensions of the area covered by mesh regardless of whether or not additional reinforcing steel is present in the same area.
Steel off cuts resulting from the cutting and bending of reinforcement in accordance with the bending schedules shall be deemed to be the property of the Contractor.

PSGA 8.1.3 Concrete

a) Concrete will be measured net to the dimensions shown on the drawings or to the dimensions cast, whichever are the smaller. Structural elements that are undersized will be measured for payment only if they are accepted by the Engineer

b) No allowance will be made for concrete required to make up overbreak in soft excavation, but payment will be made for additional concrete or formwork, or both, ordered in writing by the Engineer to replace unsuitable material or overbreak in hard rock or in intermediate excavation (see (d) below).

The unit rates shall cover the cost of the provision of concrete (made with ordinary portland cement unless otherwise scheduled), mixing, testing, placing, compacting, the forming of stop-ends and unforeseen construction joints, striking of for levelling as applicable, and curing and repairing where necessary, together with the cost of all parts of formwork in contact with the concrete and the necessary bearers, struts, and other supports, plus the layout and plant necessary to erect and strike such formwork.

PROJECT SPECIFICATION

PORTION 2: VARIATIONS AND ADDITIONS TO STANDARDISED SPECIFICATIONS

SABS 1200 L: MEDIUM PRESSURE PIPELINES

PSL 1 SCOPE

This specification covers the supply and installation of pipelines of diameter up to 1 000 mm, Complete with ancillary works, for transporting water and sewage under working pressures of up to 2.5 MPa.

PSL 3 MATERIAL

PSL 3.1 GENERAL

Replace the first sentence of L 3.1 with the following:

Duraflow mPVC and uPVC pipes, where relevant, will be used in the water pipelines.

Pipes and fittings shall be of the types specified in the schedule or in the project specification and, unless otherwise required in terms of the project specification, they and their couplings shall be capable of withstanding the applicable test pressure specified in 7.3.1. All pipes and fittings shall be supplied complete with couplings and jointing material.

Satisfactory temporary end covers shall be provided for the protection of threads, flanges, and prepared ends of plain-ended pipes and fittings, and to prevent damage to internal lining during transportation and during handling on Site.

Pipeline materials shall be so transported, stored, and handled that pipes are not overstressed at any time and fittings are not damaged in any way. PVC pipes to be stored under shade for the period between delivery to site and pipe laying and backfilling. All thin-walled, flexible, and soft-coated pipes shall be handled with particular care and shall be so stored that they are not subject to concentrated pressure from stones or other objects. Pipes damaged or cracked in any way shall be removed from the Site.

PSL 3.9 CORROSION PROTECTION

PSL 3.9.2 Protection of Steel Pipes and Accessories

All the pipe items of steel with diameters from 100mm and more must, unless otherwise specified be provided of three coats of epoxy paint (KSIR 88 or similar) to provide a final film of 300 micron dried thickness. Application must be according to the suppliers' prescription and must be on the inside and outside. Steel pipe items with diameters smaller than 100mm must be protected using galvanising or epoxy paint.

PSL 3.10 VALVES

All valves must be painted according to an approved method with epoxy paint (KSIR 88 or similar), to provide a final film of 300 micron dried thickness, after manufacturing and testing. Complete technical information of all valves must be submitted to the Engineer for approval before purchase.

PSL 3.10.1 Gate Valves

All gate valves shall be of the AVK type, shall comply with the requirements of SABS 664 and shall be suitable for a working pressure of 1,6 MPa (Class 16), or as indicated on the detail drawings. All gate valves must be supplied with a square spindle nut, suitable to be used with a valve key, or with a hand wheel as indicated on the detailed drawings. One valve key per nut size must be provided and will be included in the rate for valves.

All gate valves shall be flanged and drilled according to SABS 1123 or B.S. 4504 Table 16, unless shown differently on the drawings, and shall be right hand closing. The direction for opening and closing shall be permanently displayed on the valves. Valves shall have non-rising spindles.

Compression shut-off valves with rubber protected gate and smooth finish without recess inside, may be used.

The spindle seal shall consist of at least two O-rings located in a corrosion resistant housing. A wiper ring to prevent ingress of dirt shall be provided. The spindle nut may be loose or fixed in the gate.

The valves shall be provided with a straight, unobstructed body passage without any pocket and the gate shall be completely clear of the waterway in the fully open position. The sealing and gate guide areas shall be designed to eliminate deposits in the valve body. The gate guides shall be of substantial design to support the gate until the point of closure.

All components shall be interchangeable between valves of one size.

The rated working pressure shall be as detailed on the drawings. The valves are required to seal drop tight from zero to a test pressure of 1,1 times the rated working pressure under test and field conditions.

The valve shall be capable of being opened and closed under an unbalanced pressure equal to the rated working pressure.

Pipes shall not be tested against a closed valve. Thrust blocks for test sections shall be approved by the Engineer prior to testing of pipes.

PSL 3.10.2 Air Valves

All air valves to be Double orifice type. Rate shall include all accessories required as per tender drawing.

PSL 5 CONSTRUCTION

PSL 5.1 LAYING

PSL 5.1.1 General

Where connecting to the existing pipeline the position of the existing pipeline must be established by excavating test holes (hand excavation) before any trench excavation to the planned connection point is undertaken. The Contractor will not be compensated for excavation and any other work that is executed and proves to be unnecessary because this specification was not followed.

PSL 5.4 CONCRETE ENCASING

Replace the first sentence of L 5.4 with the following:

Concrete encasing with concrete with strength of 20 MPa/19mm, must be provided at positions indicated by the Engineer. Provision must be made to keep the pipe in position during the placement of the concrete encasing. The length of concrete encasing will be determined by means of site instructions from the Engineer.

PSL 5.4.1 Soil Crete Encasing

Add the following:

A mixture of Portland cement and gravel of base quality that is mixed in a ratio of 1:10 must be provided at positions indicated by the Engineer. Provision must be made to keep the pipe in position during the placement of the soilcrete encasing. The length of soilcrete encasing will be determined by means of a site instruction from the Engineer.

PSL 5.5 ANCHOR BLOCKS

Delete "15 Mpa/37,5mm" in the second sentence and replace with "20Mpa/19mm"

PSL 5.6 VALVE CHAMBERS

PSL 5.6.1 General

Substitute the first sentence of L 5.6.1 with the following:

The drawings of valve chambers, which are bound into the document, shall supersede the corresponding drawings in the standard specification.

Valve chambers, to the relevant specified sizes and specifications, shall be installed at all the new positions as indicated on the detailed drawings.

PSL 5.10 CLEANING OF PIPE

Sub clauses (a), (b) and (c) must be adhered to.

PSL 5.11 PIPE MARKERS

Pipe markers shall be installed at 50m intervals on the pipeline route, at all the newly installed isolation and scour valves as indicated on the detailed drawings as well as at all positions where the pipeline route deviates from the horizontal.

PSL 7 TESTING

PSL 7.3 STANDARD HYDRAULIC PIPE TEST

PSL 7.3.1 Test pressure and time of test

Add the following to L 7.3.1.1:

Pipes shall not be tested against isolating valves. Special blank flanges or end caps, fully anchored, shall be provided for testing.

PSL 8 MEASUREMENT AND PAYMENT

PSL 8.2 SCHEDULED ITEMS

PSL 8.2.1 Supply, Lay and Bed Pipes complete with couplingsUnit: m

PSL 8.2.1.1 uPVC Class 9 Pipes

The pipes should be the type with a spigot at one end and a socket with lying rubber at the other. Contractor has an option to supply mPVC piping of same class and diameter if he so wishes, on condition the rate of cost used is that of uPVC. All pipes to have the class and diameter clearly marked, in addition to Manufacturer's details.

PSL 8.2.1.2 Steel Pipes

The pipes should be threaded at both ends and supplied fitted with one threaded socket. The pipes will thus be jointed using threaded sockets except on advice of Engineer or where drawings details indicate otherwise.

PSL 8.2.2 Extra-over 8.2.1 for the Supplying, Laying, and Bedding of Specials Complete with CouplingsUnit: No

These shall be measured and paid for per installation, complete with the inclusion of the cutting of pipes, couplings, extra excavation and all extra material and labour that is required, including tees, fittings complete as shown on the drawings.

PSL 8.2.2.1 Extra-over 8.2.1.1 for the Supplying, Laying, and Bedding of Specials Complete with Couplings for Steel pipes and adaptors to PVC

Bends, Tees and Reducers shall be steel, be flanged and drilled to Table 16 at all ends. End caps to be flanged at the open end. Bends to be long radius. Steel - uPVC Adaptors to be flanged at end linking to the steel pipe and spigot ended at end linking the PVC pipe. The spigot end to match the diameter of PVC piping. Separate flanges to be drilled to Table 16 with threading to match the steel pipe threading.

PSL 8.2.2.2 Extra-over 8.2.1.2 for the Supplying, Laying, and Bedding of Specials Complete with Couplings for uPVC pipes

All bends, reducers, tees, end caps etc for uPVC sections to be uPVC, unless indicated on the drawings. All bends to be long radius with one end socketed and the other spigot end. The rest of the fittings/ specials to be socketed at all ends, unless the drawings or Engineer suggests otherwise.

PSL 8.2.3 Extra-over 8.2.1 for the Supply, Fixing and Bedding of Valves Unit: No

Add the following to L 8.2.3:

Valves are measured and paid for per installation, complete with the inclusion of the cutting of pipes, couplings, extra excavation and all extra material and labour that is required, including tees, fittings complete as shown on the drawings.

PSL 8.2.4 Cut Into and Connect To Existing Mains Unit: No

The number of each type and diameter of pipe cut into shall measure the cutting into existing mains.

The Tendered rate shall include full compensation for all arrangements with the relevant authorities, isolating the main, cutting into the main to accommodate the connecting fitting, dewatering, excavating, removing of excess material, taking steps to prevent the ingress of soil, stones and other material into the main as well as all material and labour to connect the pipe.

PS L 3.10 VALVES

PS L 3.10.1 Gate Valves

(a) 200mm isolation valve..... unit (No.)

All gate valves shall comply with the requirements of SANS 664 – Figure 2 and shall be suitable for a working pressure of 1.0 MPa. All gate valves shall be supplied with hand wheels, unless shown otherwise on the drawings.

Gate valves shall have flanged ends unless shown otherwise on the drawings and shall open clockwise. The direction for opening and closing shall be permanently displayed on the valves. Valves shall have non-rising spindles.

Spindles, spindle nuts, gate rings and body rings shall all be of bronze.

All flanged gate valves shall be drilled according to SANS 1123 Table 1600/3.

PSL8.2.10 Temporary Valves,

Payment for the supply or loan of temporary valves, end caps, blank flanges, or other isolating devices ordered by the Engineer in terms of 7.3.1.1 will be made at daywork rates or at a price to be agreed by the Engineer, unless the method of payment for the work has been dealt with in the project specification and a suitable item included in the schedule.

PSL 8.2.11 Anchor/Thrust Blocks

Unit: m³

Substitute L 8.2.11 with the following:

Anchor and thrust blocks shall be measured per cubic metre concrete and the Tendered rate shall include for all formwork and reinforcement (where specified) for the required dimensions.

“The concrete will be measured net by volume to the specified width and depth in excess of the external volume of the pipe (i.e. the volume of the pipe will be deducted).

The rate shall cover the cost of formwork and concrete.”

PSL 8.2.13 VALVE CHAMBERS

Valve and hydrant chambers, manholes, etc., will be measured as complete units.

The rate shall cover additional excavation (see Subclauses 8.2.2 and 8.2.3 of SADS 1200 LIB), materials, plant, and labour necessary for the complete construction including the installation of the surface boxes or covers.

Valve chambers will be measured and paid for by number and the tariff must include all excavation, installation, finishing and numbering of the chamber, all materials as well as labour as described in PS L 5.12.

PSL 8.2.17 Soil Crete Casing

Unit: m³

The soilcrete (1:10 ratio) is measured by volume according to the specified width and depth that exceeds the outside volume of the pipe (the volume of the pipe detracted).

The tariff includes the cost of shuttering and soilcrete mixture.

PSL 8.2.18 Pipe Markers

Unit: No

Pipe markers will be measured and paid for by number and the tariff must include all excavation, installation, and paint and numbering of marker, concrete as well as labour as described in PS L 5.11.

PROJECT SPECIFICATION

PORTION 2: VARIATIONS AND ADDITIONS TO STANDARDISED SPECIFICATIONS

SABS 1200 LB: BEDDING (PIPES)

PS LB 1 SCOPE

PS LB 1.1 SCOPE

Add the following to LB 1.1:

This specification also covers the bedding required for sleeve pipes.

PS LB 3 MATERIALS

PS LB 3.1 SELECTED GRANULAR MATERIAL

Substitute LB 3.1 with the following:

Selected granular material shall be an aggregate, sand or granular material, all of a non-cohesive nature and free from any organic material, of which the grading analysis shows 100 % passing a 13, 2 mm sieve and not more than 5 % passing a 0,075 mm sieve.

Only if approved by the Engineer may sand from the trench excavations be used as selected material

PS LB 3.2 SELECTED FILL MATERIAL

Substitute LB 3.2 with the following:

The requirements of PS LB 3.1 shall apply *mutatis mutandis*.

PS LB 3.3 BEDDING

Add the following to LB 3.3:

All pipes shall be classified as flexible pipes and shall have a bedding of selected granular material and selected fill material.

PS LB 3.4 SELECTION

PS LB 3.4.1 Suitable Material from Trench Excavation Available

Replace the first sentence of LB 3.4.1 with the following:

Notwithstanding the requirements DB 3.7 and LB 3.4.1 relating selected excavation methods, the Contractor must follow selected excavation methods and provide or use plant that will prevent material that is suitable and necessary for bedding being contaminated.

PS LB 5 CONSTRUCTION

PS LB 5.1 GENERAL

PS LB 5.1.4 Compacting

Substitute "90 % of Mod. AASHTO" in LB 5.1.4 with "93 % of Mod. AASHTO.

If sand is used the compaction grade must be 100% Mod. AASHTO

PS LB 8 MEASUREMENT AND PAYMENT

PS LB 8.1 PRINCIPLES

PSLB 8.1.1 Provision of Bedding from Trench Excavation

a) Selected granular materialUnit: m 3

b) Selected fill material..... Unit: m

The rates shall cover the cost of acquiring, from within 0,5 km, bedding that complies with the relevant requirements of the specification, of delivering it to points alongside the trench spaced to suit the Contractor's methods of working, and of disposing of displaced material within a freehaul distance of 0,5 km.

In terms of the standardized specifications covering pipelines, the rate for the supply and laying of pipelines covers the cost of handling bedding material from alongside the trench and placing it under and around the pipeline.

PSLB 8.1.2 Supply only of Bedding by Importation

From other necessary excavations

a) Selected granular materialUnit: m

b) Selected fill material..... Unit: m

PSLB 8.1.4 From commercial sources

a) Selected granular material..... Unit: m

b) Selected fill material..... Unit: m

The rate shall cover the cost of acquiring, regardless of distance, the required bedding from commercial sources (see Subclause 8.3.4 of SABS 1200 D or Subclause 8.3.4 of SABS 1200 DA, as relevant), of delivering it to points alongside the trench spaced to suit the Contractor's methods of working, and of delivering it to points alongside the trench spaced to suit the Contractor's methods of working, and of disposing of material displaced by such importation, within a freehaul distance of 0,5 km.

PSLB 8.1.6 Encasing of Pipes in Concrete..... Unit:

Separate items will be scheduled for each size of pipe and for each grade of concrete specified.

The volume will be computed from the dimensions of the concrete as given on the drawing.

The rate shall cover the cost of dealing with any excavation (in all materials including disposal of surplus) that is additional to that measured under the item for pipe trench excavation, the cost of encasing the pipe in concrete including the cost of formwork (if any), etc., and the cost of formwork to form flexible joints at 4 m centres.

PS LB 8.2.5 Overhaul of material for Bedding cradle and selected fill blanket

Unit: m³.km

Substitute LB 8.2.5 with the following:

a) Limited overhaul (0,5 km to 1,0 km) Unit: m³

b) Long overhaul..... Unit: m³.km

Except that the volume is calculated according to LB 8.1.3, the requirements of D 8.3.6 or DA 8.3.3, as applicable, shall apply for overhaul.

PROJECT SPECIFICATION

PORTION 2: VARIATIONS AND ADDITIONS TO STANDARDISED SPECIFICATIONS

SABS 1200 VC: FENCING

PSVC 1SCOPE

This specification covers the erection of a new 2.4m high fence with 1 x motor gate 2.4 x 2.4m.

PSVC 4.2 SECURITY FENCING

Add this item to cover the erection of a new 2.4m high fence

PSVC 4.2.1 Material

(a) Straining posts, stays, standards and droppers

Straining posts, stays, standards and droppers shall be of the type and size indicated on the drawings. Steel sections shall comply with the requirements of CKS 82 and timber posts with the requirements of SABS 457. Timber posts shall be treated with a preservative in accordance with the requirement of subclause 5402 (b)(i)

Droppers shall be 0.56 kg/m ridgeback pattern droppers

Tubular straining posts and stays shall be galvanized in accordance with SABS 763 for class B1 articles, or shall be painted as specified in section 8400 as may be required on the drawings, and shall have a wall thickness of at least 2.95 mm. Unless otherwise shown on the drawing, all tubular posts shall be provided with a 230 mm x 230 mm footplate and a pressed steel or cast-iron cap. Tubular stays shall have a nominal bore of at least 60 mm.

Rolled steel section shall be provided with a protective coating of tar or other approved material.

(b) Bolts for stays

Bolts shall be galvanized steel bolts of the required length and a diameter which shall not be less than 12 mm. All the necessary bolts, nuts and washers, shall be supplied with each post.

B 5507 Erecting fence wire

All fence wire shall be tied to the sides of standards or posts to prevent the wires from being displaced or becoming loose. The wire shall be carefully tensioned without sagging and true to line, care being exercised not to tension the wire to such an extent that it will break, or that end, corner, straining or gate posts will be pulled out or that it will be easily damaged during veld fires.

Each strand of fencing wire shall be securely tied in the correct position hard up to each standard with soft galvanized tying wire. The tying wire for each strand shall pass through a hole or notch in the standard, while the ends of the tying wire shall be wound at least four times around the fencing wire to prevent it from moving in a vertical direction

B 5513 GENERAL REQUIREMENTS

The completed fence shall be plumb, taut, true to line and ground contour, with all posts, standards and stays firmly set. The height of the lower fencing wire above the ground at posts and standards shall not deviate by more than 25 mm from that shown on the drawings. Other fencing wires shall not deviate by more than 10 mm from their prescribed vertical positions.

B 5514 MEASUREMENT AND PAYMENT

Item	Unit
55.01 Cleaning the fence line 2 m wide strip.....	m(m)

The removal of trees and stumps with a girth exceeding 1 m shall be paid as specified in section 1700

B 55.02 Supply and erect new fencing material for new fence and for supplementing material in existing fences which are being repaired or removed:

(a) Zinc-coating barbed wire 3 mild steel grade, double stand 2.5 mm diameter unidirectional twist(SABS 675).....m (m)

(b) Zinc-coating smooth wire 2.24mm diameter. High tensile fencing wire (SABS 675).....m (m)

The unit of measurement shall be erected as specified in the drawings completely drilled with steel cap and base plate and painted. The price shall also include full compensation for the excavation of 300mm x 300mm x 800mm deep holes and the backfill with concrete.

Gate

Single motor gate (2.4 x 2.4 mm)Unit (No.)

The unit of measurement shall be the number of new gate erected. The two wings of the double gates shall be considered as one gate. The tendered rate shall include full compensation for the procurement and supply of all material including gates, gate posts, hinges, bolts, mesh, binding wire, concrete, etc., as well as the erection of the gates as specified and indicated on the drawings.

PROJECT SPECIFICATION

PORTION 2: VARIATIONS AND ADDITIONS TO STANDARDISED SPECIFICATIONS

SABS 1200 VC: MECHANICAL & ELECTRICAL PROJECT SPECIFICATIONS

PS PME 1 PUMPS

PS PME 1.1 SCOPE

This section covers the following electrically driven pumps with all accessories as specified:

- a) 167kw, 1480 per minute motors pump.

PS PME 5.2 ELECTRICAL SUPPLY AND EARTH CONNECTION

The supply to the existing main switchboard is 3-phase 400/230 V at 50 Hz.

The contractor shall install a circuit breaker in the main switchboard, rated for the required power supply to the new switch, as well as a power cable from the main switchboard to the new switchboard.

Once connected, the Contractor must ensure that the supply in terms of voltage and earthing is in order before switching power onto his equipment. Claims for damage arising from non-compliance will not be accepted.

PS PME 5.4 GENERAL ELECTRIC INSTALLATIONS

PS PME 5.4.1 Cables

Tenderers must allow for the supply and installation of all necessary cables of appropriate size to all the electrical equipment specified in accordance with Clause PMA 4.9 in this document.

Cables must be installed in lengths of surface mounted galvanised conduit to prevent them from sagging, or on cable trays.

ELECTRICAL EQUIPMENT

QUALITY SPECIFICATION

PS PME 4.1 GENERAL

This specification covers the general items of equipment for electrical installations. All materials and installation of such materials shall comply with the following:

1. The latest edition of the "Code of Practice for Wiring of Premises" SANS 10142-1 by the SA Bureau of Standards.
2. The Occupational Health and Safety Act (Act 85 of 1993).
3. The Local Supply Authority's Regulations and Fire Insurance Regulations.
4. Any special conditions implied in this specification.



CAPRICORN DISTRICT MUNICIPALITY

C6. OHS Specifications for construction projects

6.1 Specification

1. PREAMBLE

In terms of Construction Regulation 4(1)(a) of the Occupational Health and Safety Act, 1993 (Act 85 of 1993), the Capricorn District Municipality, as the Client, shall be responsible to prepare Health & Safety Specifications for any intended construction project and provide any Principal Contractor who is making a bid or appointed to perform construction work for the Client on its behalf with the same.

The Client's further duties are as described in The Act and the Regulations made there-under. The Principal Contractor shall be responsible for the Health & Safety Policy for the site in terms of Section 7 of the Act and in line with Construction Regulation 5 as well as the Health and Safety Plan for the project.

This 'Health and Safety Specifications' document is governed by the "Occupational Health and Safety Act, 1993 (Act No. 85 of 1993), hereinafter referred to as 'The Act'. Notwithstanding this, cognisance should be taken of the fact that no single Act or its set of Regulations can be read in isolation. Furthermore, although the definition of Health and Safety Specifications stipulates 'a documented specification of all health and safety requirements pertaining to associated works on a construction site, so as to ensure the health and safety of persons', it is required that the entire scope of the Labour legislation, including the Basic Conditions of Employment Act be considered as part of the legal compliance system. With reference to this specification document this requirement is limited to all health, safety and environmental issues pertaining to the site of the project as referred to here-in. Despite the foregoing it is reiterated that environmental management shall receive due attention.

Due to the wide scope and definition of construction work, every construction activity and site will be different, and circumstances and conditions may change even on a daily basis. Therefore, due caution is to be taken by the Principal Contractor when drafting the Health and Safety Plan based on these Health and Safety Specifications. Prior to drafting the Health and Safety Plan, and in consideration of the information contained here-in, the contractor shall set up a Risk Assessment Program to identify and determine the scope and details of any risk associated with any hazard at the construction site, in order to identify the steps needed to be taken to remove, reduce or control such hazard. *This Risk Assessment and the steps identified will be the basis or point of departure for the Health and Safety Plan.* The Health and Safety Plan shall include documented 'Methods of Statement' (see definitions under Construction Regulations) detailing the key activities to be performed in order to reduce as far as practicable, the hazards identified in the Risk Assessment.

2. SCOPE OF HEALTH AND SAFETY SPECIFICATION

The Health and Safety Specifications pertaining to this project; cover the subjects contained in the index and is intended to outline the normal as well as any special requirements of the Client pertaining to the health and safety matters (including the environment) applicable to the project in question. These Specifications should be read in conjunction with the Act, the Construction Regulations and all other Regulations and Safety Standards which were or will be promulgated under the Act or incorporated into the Act and be in force or come into force during the effective duration of the project. The stipulations in this specification, as well as those contained in all other documentation pertaining to the project, including contract documentation and technical specifications shall not be interpreted, in any way whatsoever, to countermand

or nullify any stipulation of the Act, Regulations and Safety Standards which are promulgated under, or incorporated into the Act.

3. PURPOSE

The Client is obligated to implement measures to ensure the health and safety of all people and properties affected under its custodianship or contractual commitments, and is further obligated to monitor that these measures are structured and applied according to the requirements of these Health and Safety Specifications.

The purpose of this specification document is to provide the relevant Principal Contractor with any information other than the standard conditions pertaining to construction sites which might affect the health and safety of persons at work and the health and safety of persons in connection with the use of plant and machinery; and to protect persons other than persons at work against hazards to health and safety arising out of or in connection with the activities of persons at work during the carrying out of construction work for the Capricorn District Municipality. The Principal Contractor is to be briefed on the significant health and safety aspects of the project and to be provided with information and requirements on inter alia:

- a) Safety considerations affecting the site of the project and its environment;
- b) Health and safety aspects of the associated structures and equipment;
- c) Submissions on health and safety matters required from the Principal Contractor and,
- d) The Principal Contractor's health & safety plan.

To serve to ensure that the Principal Contractor is fully aware of what is expected from him/her with regard to the Occupational Health and Safety Act, 1993 (Act No. 85 of 1993) and the Regulations made thereunder including the applicable safety standards, and in particular in terms of Section 8 of the Act.

To inform the Principal Contractor that the Occupational Health and Safety Act, 1993 (Act 85 of 1993) in its entirety shall apply to the contract to which this specification document applies. The Construction Regulations shall apply to any person involved in construction work pertaining to this project, as will the Act.

4. DEFINITIONS

"Purpose of the Act" –

To provide for the health and safety of persons at work and the health and safety of persons in connection with the use of plant and machinery; the protection of persons other than persons at work against hazards to health and safety arising out of or in connection with the activities of persons at work; to establish an advisory council for occupational health and safety; and to provide for matters connected therewith.

"Agent" –

Means any person who acts as a representative for a client;

"Client" –

Means any person for whom construction work is performed;

“Construction Work” is defined as any work in connection with –

- (a) the erection, maintenance, alteration, renovation, repair, demolition or dismantling of or addition to a building or any similar structure;
- (b) the installation, erection, dismantling or maintenance of a fixed plant where such work includes the risk of a person falling;
- (c) the construction, maintenance, demolition or dismantling of any bridge, dam, canal, road, railway, runway, sewer or water reticulation system or any similar civil engineering structure; or
- (d) the moving of earth, clearing of land, the making of an excavation, piling, or any similar type of work;

“Contractor” –

means an employer, as defined in Section 1 of the Act, who performs construction work and includes Principal Contractors;

“Health and Safety File” –

means a file, or other record in permanent form, containing the information required a contemplated in the regulations;

“Health and Safety Plan” –

means a documented plan which addresses hazards identified and includes safe work procedures to mitigate, reduce or control the hazards identified;

“Health and Safety Specification” –

means a documented specification of all health and safety requirements pertaining to the associated works on a construction site, so as to ensure the health and safety of persons;

“Method Statement” –

means a document detailing the key activities to be performed in order to reduce as reasonably as practicable the hazards identified in any risk assessment;

“Principal Contractor” –

means an employer, as defined in section 1 of the Act who performs construction work and is appointed by the client to be in overall control and management of a part of or the whole of a construction site;

“Risk Assessment” –

means a program to determine any risk associated with any hazard at a construction site, in order to identify the steps needed to be taken to remove, reduce or control such hazard.

5. OCCUPATIONAL HEALTH & SAFETY MANAGEMENT

5.1 Structure and Organisation of OH&S Responsibilities

5.1.1. Overall Supervision and Responsibility for OH&S

- The Client and/or its Agent on its behalf to ensure that the Principal Contractor, appointed in terms of Construction Regulation 4(1)(c), implements and maintains the agreed and approved H&S Plan. Failure on the part of the Client or Agent to comply with this requirement will not relieve the Principal Contractor from any one or more of his/her duties under the Act and Regulations.
- The Chief Executive Officer of the Principal Contractor in terms of Section 16 (1) of the Act to ensure that the Employer (as defined in the Act) complies with the Act.
- All OH&S Act (85 /1993), Section 16 (2) appointee/s as detailed in his/her/their respective appointment forms to regularly, in writing, report to their principals on matters of health and safety per routine and ad hoc inspections and on any deviations as soon as observed, regardless of whether the observation was made during any routine or ad hoc inspection and to ensure that the reports are made available to the principal Contractor to become part of site records (Health & Safety File).
- The Construction Supervisor and Assistant Construction Supervisor/s appointed in terms of Construction Regulation 6 to regularly, in writing, report to their principals on matters of health and safety per routine and ad hoc inspections and on any deviations as soon as observed, regardless of whether the observation was made during any routine or ad hoc inspection and to ensure that the reports are made available to the principal Contractor to become part of site records (Health & Safety File).
- All Health and Safety Representatives (SHE-Reps) shall act and report as per Section 18 of the Act.

5.1.2. Legal Appointments

Several appointments or designations of responsible and /or competent people in specific areas of construction work are required by the Act and Regulations. The following competent appointments, where applicable, in terms of the Construction Regulations are required to ensure compliance to the Act, Regulations and Safety Standards.

Required appointments as per the Construction Regulations:-

Item	Regulation	Appointment	Responsible Person
1.	4(1)(c)	Principal contractor for each phase or project	Client
2.	5.(3)(b)	Contractor	Principal Contractor
3.	5(11)	Contractor	Contractor
4.	6(1)	Construction supervisor	Contractor
5.	6(2)	Construction supervisor sub-ordinates	Contractor
6.	6(6)	Construction Safety Officer	Contractor

Item	Regulation	Appointment	Responsible Person
7.	7(1)	Person to carry out risk assessment	Contractor
8.	7(4)	Trainer/Instructor	Contractor
9.	8(1)(a)	Fall protection planner	Contractor
10.	10 (a)	Formwork & support work supervisor	Contractor
11.	10(e) + (f)	Formwork & support work examiner	Contractor
12.	11(1)	Excavation supervisor	Contractor
13.	11(3)(b)(ii)(b)	Professional engineer or technologist	Contractor
14.	11(3)(k)	Explosives expert	Contractor
15.	12(1)	Supervisor demolition work	Contractor
16.	12(2) + (3)	Demolition expert	Contractor
17.	12(11)	Explosives expert	Contractor
18.	14(2)	Scaffold supervisor	Contractor
19.	15(1)	Suspended platform supervisor	Contractor
20.	15(2)(c)	Compliance plan developer	Contractor
21.	15(8)(c)	Suspended platform expert	Contractor
22.	15(13)	Outrigger expert	Contractor
23.	17(8)(a)	Material hoist inspector	Contractor
24.	18(1)	Batch plant supervisor	Contractor
25.	18(7)	Batch plant operator	Contractor
26.	19(2)(b)	Power tool expert	Contractor
27.	19.2 (g) (i)	Power tool controller	Contractor
28.	20(f)	Tower crane operator	Contractor
29.	21(1)(d)(i)	Construction vehicle and mobile plant operator	Contractor
30.	21(1)(j)	Construction vehicle and mobile plant inspector	Contractor
31.	22(d)	Temporary electrical installations inspector	Contractor
32.	22 (e)	Temporary electrical installations controller	Contractor
33.	26 (a)	Stacking and storage supervisor	Contractor
34.	27 (h)	Fire equipment inspector	Contractor

This list may be used as a reference or tool to determine which components of the Act and Regulations would be applicable to a particular site. This list must not be assumed to be exclusive or comprehensive.

5.2 Communication & Liaison

5.2.1 OH&S Liaison between the Employer, the Principal Contractor, the other Contractors, the Designer and other concerned parties shall be through the project Committee as per the procedures determined by the project Committee.

5.2.2 In addition to the above, communication may be directly to the Client or his appointed Agent, verbally or in writing, as and when the need arises.

- 5.2.3 Consultation with the workforce on OH&S matters will be through their Supervisors and H&S Representatives ('SHE – Reps')
- 5.2.4 The Principal Contractor will be responsible for the dissemination of all relevant OH&S information to the other Contractors e.g. design changes agreed with the Client and/or its Agent on its behalf and the Designer, instructions by the Client and/or his/her agent, exchange of information between Contractors, the reporting of hazardous/dangerous conditions/situations etc.

6. RESPONSIBILITIES

6.1 Client

- 6.1.1 The Client or his appointed Agent on his behalf will appoint each Principal Contractor for this project in writing for assuming the role of Principal Contractor as intended by the Construction Regulations and determined by the Bills of Quantities.
- 6.1.2 The Client or his appointed Agent on his behalf shall discuss and negotiate with the Principal Contractor the contents of the health and safety plan of the both Principal Contractor and Contractor for approval.
- 6.1.3 The Client or his appointed Agent on his behalf, will take reasonable steps to ensure that the health and safety plan of both the Principal Contractor and Contractor is implemented and maintained. The steps taken will include periodic audits at intervals of at least once every month.
- 6.1.4 The Client or his appointed Agent on his behalf, will prevent the Principal Contractor and/or the Contractor from commencing or continuing with construction work should the Principal Contractor and/or the Contractor at any stage in the execution of the works be found to:
- have failed to have complied with any of the administrative measures required by the Construction Regulations in preparation for the construction project or any physical preparations necessary in terms of the Act;
 - have failed to implement or maintain their health and safety plan;
 - have executed construction work which is not in accordance with their health and safety plan; or
 - act in any way which may pose a threat to the health and safety of any person(s) present on the site of the works or in its vicinity, irrespective of him/them being employed or legitimately on the site of the works or in its vicinity.

6.2 Principal Contractor

- 6.2.1 The Principal Contractor shall accept the appointment under the terms and Conditions of Contract. The Principal Contractor shall sign and agree to those terms and conditions and shall, before commencing work, notify the Department of Labour of the intended construction work in terms of Regulation 3 of the Construction. The Principal Contractor shall submit the notification in writing prior to commencement of work and inform the Client or his Agent accordingly.
- 6.2.2 The Principal Contractor shall ensure that he is fully conversant with the requirements of this Specification and all relevant health and safety legislation. *This Specification is not intended to*

supersede the Act nor the Construction Regulations or any part of either. Those sections of the Act and the Construction Regulations which apply to the scope of work to be performed by the Principal Contractor in terms of this contract will continue to be legally required of the Principal Contractor to comply with. The Principal Contractor will in no manner or means be absolved from the responsibility to comply with all applicable sections of the Act, the Construction Regulations or any Regulations proclaimed under the Act or which may perceivable be applicable to this contract.

- 6.2.3 The Principal Contractor shall provide and demonstrate to the Client a suitable and sufficiently documented health and safety plan based on this Specification, the Act and the Construction Regulations, which shall be applied from the date of commencement of and for the duration of execution of the works. This plan shall, as appendices, include the health and safety plans of all Sub-contractors for which he has to take responsibility in terms of this contract.
- 6.2.4 The Principal Contractor shall provide proof of his registration and good standing with the Compensation Fund or with a licensed compensation insurer prior to commencement with the works.
- 6.2.5 The Potential Principal Contractor shall, in submitting his tender, demonstrate that he has made provision for the cost of compliance with the specified health and safety requirements, the Act and Construction Regulations.
- 6.2.6 The Principal Contractor shall consistently demonstrate his competence and the adequacy of his resources to perform the duties imposed on the Principal Contractor in terms of this Specification, the Act and the Construction Regulations.
- 6.2.7 The Principal Contractor shall ensure that a copy of his health and safety plan is available on site and is presented upon request to the Client, an Inspector, Employee or Sub-contractor.
- 6.2.8 The Principal Contractor shall ensure that a health and safety file, which shall include all documentation required in terms of the provisions of this Specification, the Act and the Construction Regulations, is opened and kept on site and made available to the Client or Inspector upon request. Upon completion of the works, the Principal Contractor shall hand over a consolidated health and safety file to the Client.
- 6.2.9 The Principal Contractor shall, throughout execution of the contract, ensure that all conditions imposed on his Sub-contractors in terms of the Act and the Construction Regulations are complied with as if they were the Principal Contractor.
- 6.2.10 The Principal Contractor shall from time to time evaluate the relevance of the Health and Safety Plan and revise the same as required, following which revised plan shall be submitted to the Client and/or his/her Agent for approval.

7. SCOPE OF WORK

These specifications are applicable to the specific scope of work pertaining to the project as detailed in the tender documents. *Refer to Project specification.*

8. HEALTH AND SAFETY FILE

The Principal Contractor must, in terms of Construction Regulation 5(7), keep a Health & Safety File on site at all times that must include all documentation required in terms of the Act and Regulations and must also include a list of all Contractors on site that are accountable to the Principal Contractor and the agreements between the parties and details of work being done.

The Health and Safety File will remain the property of the Client and/or its Agent on its behalf throughout the period of the project and shall be consolidated and handed over to the Client and/or its Agent on its behalf at the time of completion of the project.

The safety file shall contain the following documentations:

- Safety reports,
- Notification documents,
- Appointment letters,
- Records of incidents,
- Records of training,
- Records of safety meetings,
- Records of PPE provision,
- And any other document related to safety issues on site.

9. MONITORING AND REVIEWING OH&S PERFORMANCE

The Principal Contractor is required to maintain acceptable incident rate and report on this to the Client and/or its Agent on its behalf on a monthly basis. The frequency rates must reflect permanent disability, lost workdays, restricted workdays, medical treatment and first aid treatment.

10. HAZARD IDENTIFICATION AND RISK ASSESSMENT

The Principal Contractor is required to develop Risk Assessments, Standard Working Procedures (SWP) and Method Statements for each activity executed in the contract or project. The identification of hazards is over and above the hazards identification program and those hazards identified during the drafting of the Health and Safety Plan. Hazard identification should be conducted continuously over and above the baseline risk assessment.

11. ARRANGEMENTS FOR MONITORING AND REVIEW

11.1 Monthly Audit by Client

The Client and/or its Agent on its behalf will be conducting Periodic Audits at times agreed with the Principal Contractor Audit to comply with Construction Regulation 4(1)(d) to ensure that the principal Contractor has implemented, is adhering to and is maintaining the agreed and approved OH&S Plan.

11.2 Other audits and inspections

The Client and/or its Agent on its behalf reserves the right to conduct any other ad hoc audits and inspections as it and/or its Agent on its behalf deem necessary.

A representative of the Principal Contractor and the relevant Health and Safety Representative(s) (SHE-Reps) must accompany the Client and/or its Agent on its behalf on all Audits and Inspections and may conduct their own audit/inspection at the same time. Each party will, however, take responsibility for the results of his/her own audit/inspection results. The Client and/or its Agent on its behalf may require to be handed a copy of the minutes of the previous Health and Safety Committee meeting reflecting possible recommendations made by that committee to the Employer for reference purposes and any other health and safety related issues..

11.3 Reports

12.3.1 The Principal Contractor shall report all incidents where an employee is injured on duty to the extent that he/she dies, becomes unconscious, loses a limb or part of a limb, is injured or becomes ill to such a degree that he/she is likely either to die or to suffer a permanent physical defect or likely to be unable for a period of at least 14 days either to work or continue with the activity for which he/she was usually employed, or where a major incident occurred, the health or safety of any person was endangered, where a dangerous substance was spilled, the uncontrolled release of any substance under pressure took place, machinery or any part of machinery fractured or failed resulting in flying, falling or uncontrolled moving objects, machinery ran out of control, to the Provincial Director of the Department of Labour within seven days and at the same time to the Client and/or its Agent on its behalf.

12.3.2 The Principal Contractor is required to provide the Client and/or its Agent on its behalf with copies of all statutory reports required in terms of the Act and the Regulations.

12.3.3 The Principal Contractor is required to provide the Client and/or its Agent on its behalf with a monthly "SHE Risk Management Report".

12.3.4 The Principal Contractor is required to provide the Client and/or its Agent on its behalf with copies of all internal and external accident/incident investigation reports. As soon as the occurrence of any accident/incident of whatever nature comes to the notice of the Principal Contractor, it shall be reported immediately to any of the following:

11.4 Review

The Principal Contractor is to review the Hazard Identification, Risk Assessments and Standard Work Processes at each Production Planning and Progress Report meeting as the construction work develops and progresses and each time changes are made to the designs, plans and construction methods and processes. The Principal Contractor must provide the Client and/or its Agent on its behalf, and all other concerned parties with copies of any changes, alterations or amendments

11.5 Site Safety Rules

11.5.1 Site OH&S Rules

The Principal Contractor must develop a set of site-specific OH&S rules that will be applied to regulate the Health and Safety Plan and associated aspects of the construction. When required for a site by law, visitors and non-employees upon entering the site shall be issued with the proper Personal Protective Equipment (PPE) as and when necessary.

11.5.2 Security Arrangements

The Principal Contractor must establish site access rules and implement and maintain these throughout the construction period. Access control must include the rule that non-employees shall at all times be provided with fulltime supervision while on site. The Principal Contractor must develop a set of Security rules and procedures and maintain these throughout the construction period.

If not already tasked to the H&S Officer appointed in terms of Construction Regulation 6(6), the Principal Contractor must appoint a competent Emergency Controller who must develop contingency plans for any emergency that may arise on site as indicated by the risk assessments. These must include a monthly practice/testing program for the plans

11.6 Training

The Principal Contractor shall ensure that all employees under the his or her control are informed, instructed and trained by a competent person regarding any hazard and the related work procedures before any work commences, and thereafter at such times as may be determined in the risk assessment.

The Principal Contractor shall ensure that all labourers are informed regarding any hazard as stipulated in the risk assessment before any work commences, and thereafter at such times as may be determined in the risk assessment.

The Principal Contractor shall ensure that as far as is reasonably practicable, ergonomic related hazards are analysed, evaluated and addressed in the risk assessment.

No Principal Contractor shall allow or permit any employee to enter any site, unless such person has undergone health and safety induction training pertaining to the hazards prevalent on the site at the time of entry.

The Principal Contractor shall ensure that all visitors to a construction site undergoes health and safety instruction pertaining to the hazards prevalent on the site and shall be provided with the necessary personal protective equipment: Provided that where visits are made only to the site office which is not in direct contact with the construction work activities, those health and safety instructions and the provision of personal protective equipment may not apply.

The contents and syllabi of all training required by the Act and Regulations including any other related or relevant training as required must be included in the Principal Contractor's Health and Safety Plan and Health and Safety File.

11.6.1 General Induction Training

The Principal contractor must ensure that the employees on site are conversant with the general health and safety requirements on site. All employees of the Principal and other Contractors must be in possession of proof of General Induction training.

11.6.2 Site Specific Induction Training

All employees of the Principal and other Contractors must be in possession of Site Specific Occupational Health and Safety Induction or other qualifying training.

11.6.3 Other Training

All operators, drivers and users of construction vehicles, mobile plant and other equipment must be in possession of valid proof of training. All employees in jobs requiring training in terms of the Act and Regulations must be in possession of valid proof of training as follows:

- General Induction (Section 8 of the Act)
- Site/Job Specific Induction (also visitors) (Sections 8 & 9 of the Act)
- Site/Project Manager
- Construction Supervisor
- OH&S Representatives (Section 18 (3) of the Act)
- Training of the Appointees indicated in 12.6.1 & 12.6.2 above
- Operation of Cranes (Driven Machinery Regulations 18 (11))
- Operators & Drivers of Construction Vehicles & Mobile Plant (Construction Regulation 21)
- Basic Fire Prevention & Protection (Environmental Regulations 9 and Construction Regulation 27)
- As a minimum basic First Aid to be upgraded when necessary (General Safety Regulations 3)
- Storekeeping Methods & Safe Stacking (Construction Regulation 26)
- Emergency, Security and Fire Coordinator

11.7 Accident and Incident Investigation

The Principal Contractor is responsible to oversee the investigation of all accidents/incidents where employees and non-employees were injured to the extent that he/she/they had to receive first aid or be referred for medical treatment by a doctor, hospital or clinic, (General Administrative Regulation 9). The Principal Contractor is responsible for the investigation of all non-injury incidents as described in Section 24 (1) (b) & (c) of the Act and keeping a record of the results of such investigations including the steps taken to prevent similar incidents in future.

The Principal Contractor is responsible for the investigation of all road traffic accidents relating to the construction site and keeping a record of the results of such investigations including the steps taken to prevent similar accidents in future. Notwithstanding the requirements of Section 24 of the Act, ALL incidents shall be investigated and reported on in writing, irrespective of whether such incident gave rise to injury or damage.

11.8 H&S Representatives and H&S Committees

11.8.1 Designation of H&S Representatives

Where the Principal Contractor employs more than 20 persons (including the employees of other Contractors (sub-contractors) he has to appoint one H&S Representative for every 20 employees or part thereof. (Section 17 of the Act and General Administrative Regulation 6. & 7.) H&S Representatives have to be designated in writing and the designation shall be in accordance with the Collective Agreement as concluded between the parties as is required in terms of General Administration Regulation 6.

11.8.2 Duties and Functions of the H&S Representatives

The Principal Contractor must ensure that the designated H&S Representatives conduct at least a weekly inspection of their respective areas of responsibility using a checklist and report thereon to the Principal Contractor, after which these reports shall be consolidated for submission to the Health and Safety Committee. H&S Representatives must be included in and be part of accident/incident investigations. H&S Representatives shall be members of at least one H&S Committee and must attend all meetings of that H&S committee.

11.8.3 Establishment of H&S Committee(s)

The Principal Contractor must establish H&S Committees consisting of designated H&S Representatives together with a number of Employers Representatives appointed as per Section 19(3) that are not allowed to exceed the number of H&S Representatives on the committee. The persons nominated by the employer on an H&S Committee must be designated in writing for such period as may be determined by the project period. The H&S Committee shall co-opt advisory (temporary) members and determine the procedures of the meetings including the chairmanship.

12. HOUSE KEEPING

Good housekeeping will be maintained at all times as per Construction Regulation No. 25. Poor housekeeping contributes to three major problems, namely, costly or increased accidents, fire or fire hazards and reduction in production. Good housekeeping will enhance production time.

Particular emphasis is to be placed on the following crucial elements of a construction site:

- Phase priorities and production/plant layout
- Enclosures
- Pits, openings and shoring
- Storage facilities
- Effective, sufficient and maintained lighting or illumination
- Principal sources of injuries e.g. stairways, runways, ramps, loose building material
- Oil, grease, water, waste, rubble, glass, storm water
- Color coding
- Demarcations
- Pollution
- Waste disposal
- Ablution and hygiene facilities
- First aid disposals
- Hazardous chemical substances

This list must not be taken to be exclusive or exhaustive.

In promotion of environmental control all waste, rubble, scrap etc, will be disposed of at a registered dumping site and records will be maintained. Where it is found to be impractical to use a registered dump site or it is not available, the Principal Contractor will ensure that the matter is brought to record with the client or his representative, after which suitable, acceptable alternatives will be sought and applied. Dross and refuse from metals, and waste matters or by-products whose nature is such that they are poisonous or capable of fermentation, putrefaction or constituting a nuisance shall be treated or disposed of by methods approved of by an inspector.

13. OPERATIONAL CONTROL

The Principal Contractor shall take reasonable steps to ensure that necessary control measures are taken to promote safe working environment during all operational works. Routine safety inspections shall be carried out to ensure plant; machinery and tools are safe enough for employees to work with. Operational control measures shall be taken for the following activities and plant or machinery where applicable:

- Fall protection;
- Excavation work;
- Scaffolding;
- Mobile plants;
- Electrical installation and machinery; and
- Other associated activities.

14. SUB CONTRACTORS

The Principal Contractor shall ensure that agreements are entered into by all sub-contractors on site, and ensure that all sub-contractors are in compliance with the health and safety standards on site. Particulars of sub-contractors involved in specialised work such as blasting, concrete works and electrical installations must be submitted to the designers for approval and their safety plans submitted to the Client for approval.

15. OFFENCES AND PENALTIES

Any contractor, who does not comply with the requirements of the Act, will be penalised or punished as per Section 38 of the Act. The principal contractor must also note that the Client may stop the execution of construction work if it is not in accordance with the health and safety plan or if it poses a threat on the health and safety of employees and the public.



CAPRICORN DISTRICT MUNICIPALITY

C7. Site Information

7.1 General

This section describes the site at the time of the tender in order to enable the tenderer to price his tender accordingly and to decide upon his method of working, programming and risks.

The tenderer shall inform him / herself on the nature of the site and inspect the site.

The Employer will consider a tender only if the site inspection and/or tenderer's meeting arranged by the Engineer has been attended by a representative who must:

- Be suitably qualified to comprehend the implications of the work involved, and
- Be the tenderer him/herself or a person in the direct employ of the tenderer

7.2 Site location

The project is located in the Limpopo Province, approximately 60 km from Polokwane and is part of **LEPELLE NKUMPI Local Municipality** in the jurisdiction of **Capricorn District Municipality**.

The area is situated with the following coordinates:

Locality Details

- Province : Limpopo Province
- District : Capricorn District Municipality
- Municipality : LEPELLE NKUMPI Local Municipality

The climate is very dry with an average annual rainfall below 500mm. General vegetation cover consists of sparse grasses and thorn trees scattered over the site. With thin vegetation cover, the area is susceptible to flood damage caused by sheet flow during heavy rains.

7.3 Access to site and restrictions

The construction sites are situated in the existing villages as mentioned in 7.2. These sites can be reached via existing streets/roads and Provincial Roads.

The operation of construction vehicles on existing roads or streets, or on streets which have been completed on the level of sub-base or base or bituminous surface treatment, shall be limited to traffic with an axle load not exceeding that allowed by the Road Traffic Ordinance of the authority concerned, or any amendment thereof. Hauling is strictly forbidden on sections of streets that have been completed as described above. The Contractor shall make use of temporary haul roads, or where not practically possible, program his work in such a manner that the haulage of materials

shall be restricted to that required for the particular section of street. No additional payment shall be made for the use of temporary haul roads and all relevant costs shall be deemed to be covered by the appropriate rates.

The Contractor must note that no additional payment will be made for the construction of temporary access roads to the construction site, borrow-areas or to the spoil sites, except for payment made under payment item A.8.3.2.2 of SABS 1200 A.

If the Contractor does not make use of existing streets for the hauling of materials to or from the site, he shall be held responsible to clear any spillage caused by his activities on or near the roads by whatever means necessary, within two (2) days after such spillage has occurred. No additional payment will be made for the clearance of spillage and all relevant costs will be deemed to be covered under the relevant items.

6.4 Existing services, servitudes and way leaves

All the known existing services are indicated on the drawings.

6.5 Security

The security of the Contractor's plant, employees, materials and site camp will be the Contractor's responsibility.

6.6 Nature of ground and subsoil conditions

The Contractor shall familiarize himself with the conditions on site.

The materials on site mainly consist of soft and hard material. The majority of excavation will be in weathered and hard granite.

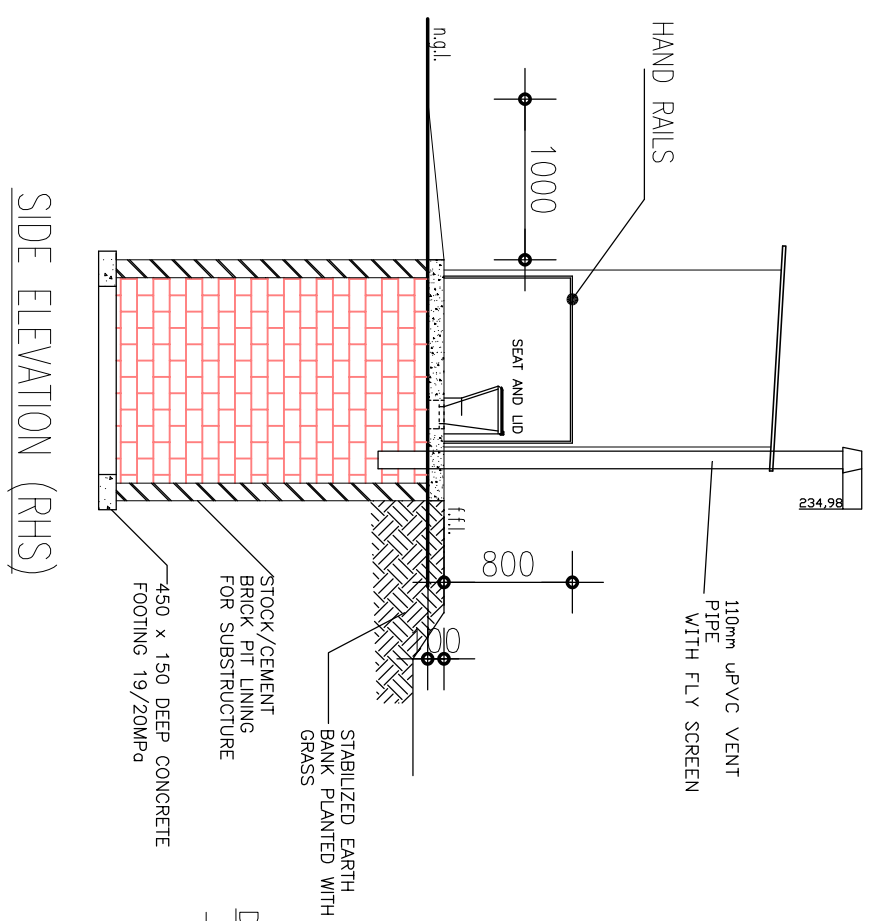
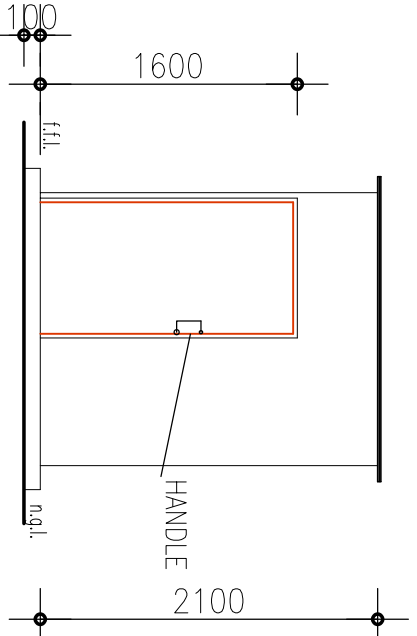
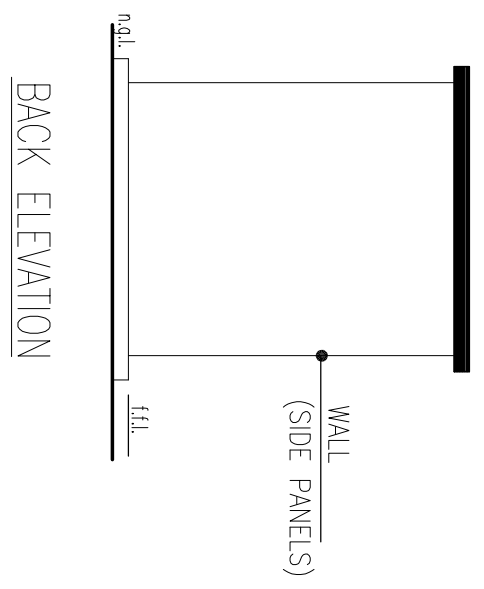
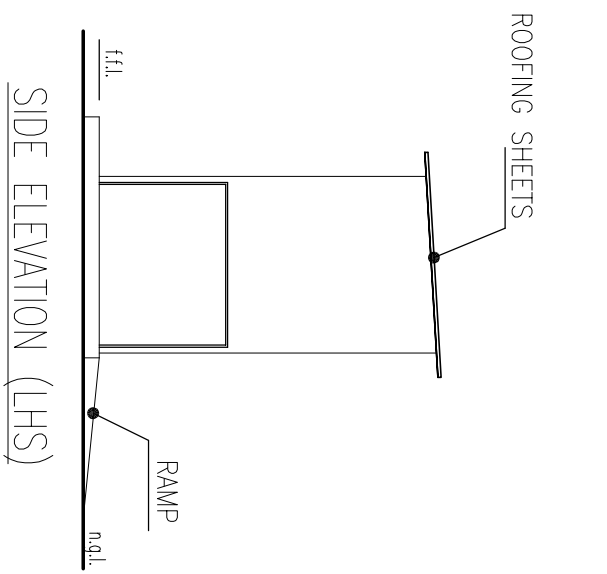
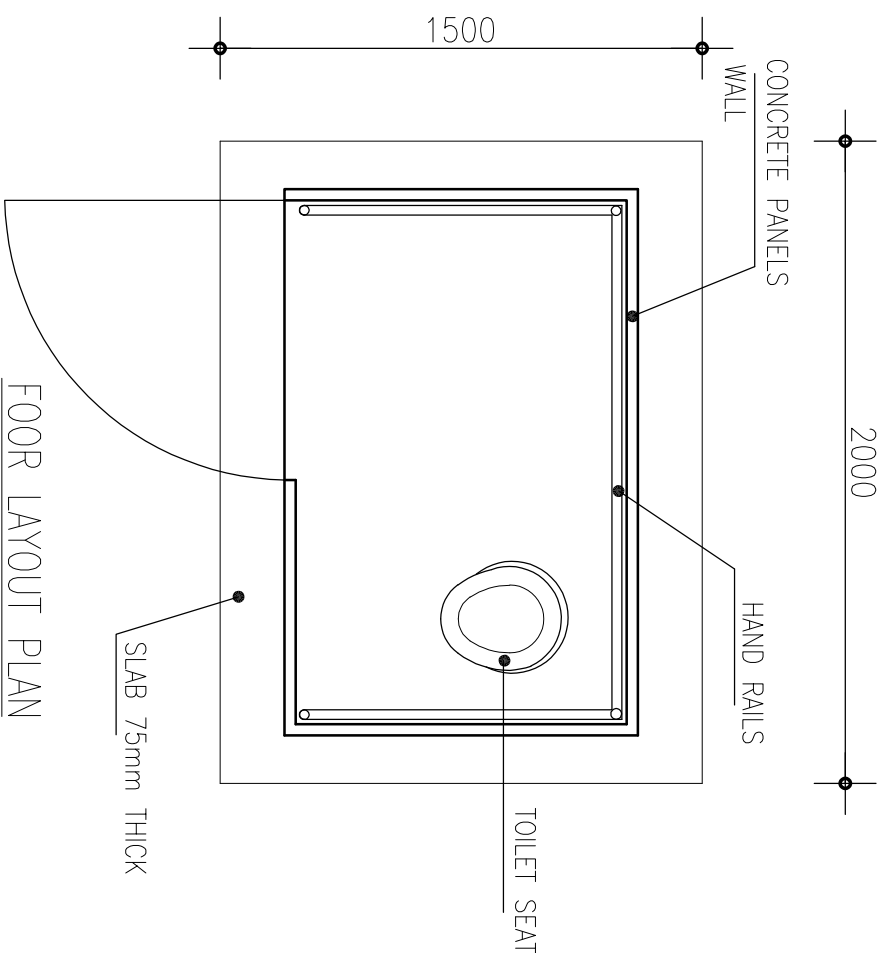
Also refer to the Project Specification "*PS 4 : NATURE OF GROUND AND SUBSOIL CONDITIONS ON SITE*".



CAPRICORN DISTRICT MUNICIPALITY

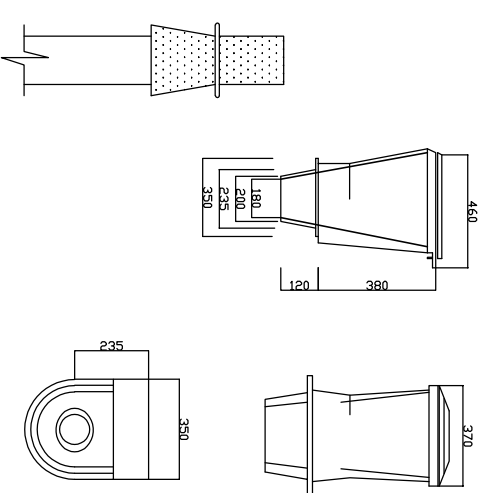
C.8 Drawings

The following drawings, for tender purposes only, form part of this contract.



- CONSTRUCTION NOTES**
1. ALL DIMENSIONS IN mm
 2. ALL PANELS TO BE SECURED TO EACH OTHER WITH-CAST-IN PLUGS AND COATING PING
 3. ALL STOCK/CEMENT BRICKS TO HAVE A MINIMUM COMPRESSIVE STRENGTH OF 10MPa
 4. BRICKS TO BE LAID IN A CLASS II MORTAR (SABS 0164: PART 1 - 1980) WITH A 28 DAY COMPRESSIVE STRENGTH OF 7 MPa
 5. BRICKFORCE (3mm) TO BE USED IN FIRST THREE COURSES ABOVE FOUNDATIONS AND IN EVERY 3RD COURSE IN THE REST OF THE WALLS
 6. VENT PIPES SHALL BE SECURED TO WALL (500mm AND 1500mm FROM FLOOR SLAB) WITH SELF TAPPING, GALVANISED GUTTER BRACKETS AND WHERE POSSIBLE, FACE NORTH
 7. 110ø VENT PIPE PAINTED WITH TWO COATS BLACK ENAMEL PAINT WITH FLY SCREEN FIXED TO OUTLET WITH GALVANISED M/S CLAMPS OR WIRE
 8. PIT TO BE LINED STOCK/CEMENT BRICKS INCLUDING 300mm FREE BOARD
 9. VIP PEDESTAL TO BE SECURED TO STRUCTURE WITH CAST-IN-PLUGS
 10. SLABS TO HAVE HOLES IN POSITION AS SHOWN
 11. EXCAVATING DIMENSIONS: LENGTH 2270 WIDTH 1230 DEPTH 2175
 12. BACKFILL AROUND THE PIT WALL TO BE WELL COMPACTED BEFORE SET UP OF TOP STRUCTURE
 13. POSITION SLAB ON BRICK STRUCTURE AFTER 48 HOURS. ENSURE MORTAR BED BETWEEN SLAB BRICKWORK. ENSURE THAT SLAB IS PLACED LEVEL (USE SPIRIT LEVEL).
 14. MORTAR MIX 1:3
 15. FOUNDATION CONCRETE CLASS 19/MPa
 16. ALL BUILDING WORK TO BE IN ACCORDANCE WITH SABS 1200

DETAILS OF TYPICAL FLYSCREEN FIXING



PEDESTAL DETAILS

DESCRIPTION	NOTES
FRAME	STD. 1.6m THICK PRESSED METAL SINGLE REBATE DOOR FRAME FOR 110mm THICK WALL. FRAME COMPLETE WITH 1 x PAIR BUTT HINGES
FRAME FINISH	1 x FACTORY COAT RED OXIDE PRIMER, SANDED 1 x APPROVED (SABS 981) UNIVERSAL UNDERCOAT AND 2 x COATS APPROVED (SABS 630) GLOSS ENAMEL. COLOUR TO DEP. OF WORKS
DOOR DESCRIPTION	PURPOSE MADE 22mm THICK RH PINS BRACED DOOR, OPENING OUTWARDS
DOOR FINISHING	DOOR SHALL BE PAINTED WITH THREE COATS OUTDOOR WOOD SEALER
IRONMONGERY AND SUNDRIES	DOOR HANDLE AS SUPPLIED BY MANUFACTURER OR FIT 100mm GALVANISED PADLOCKS BOTH INSIDE AND OUTSIDE

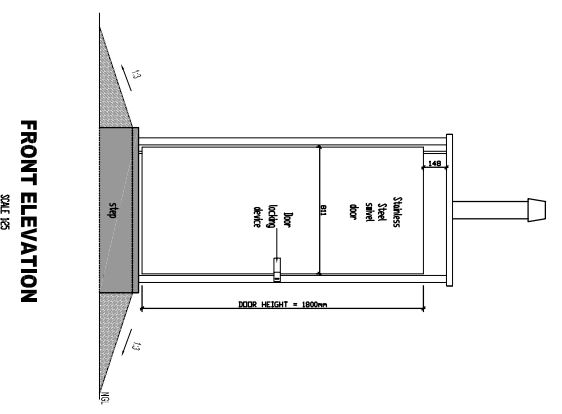
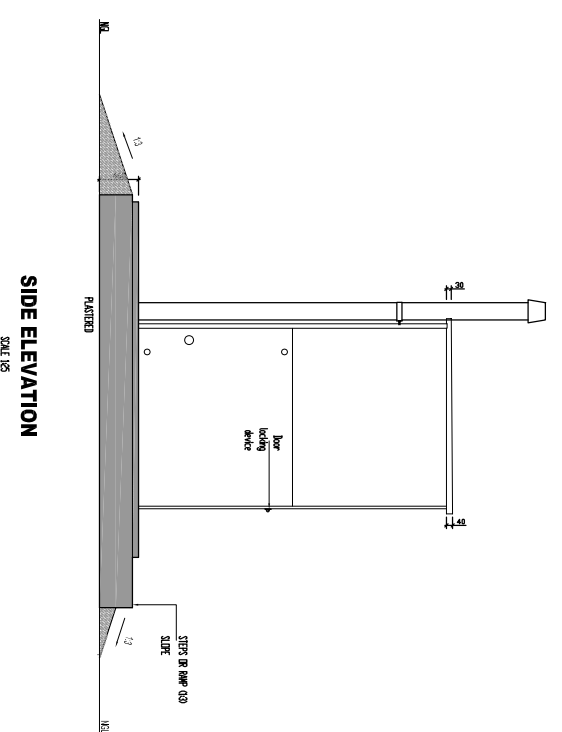
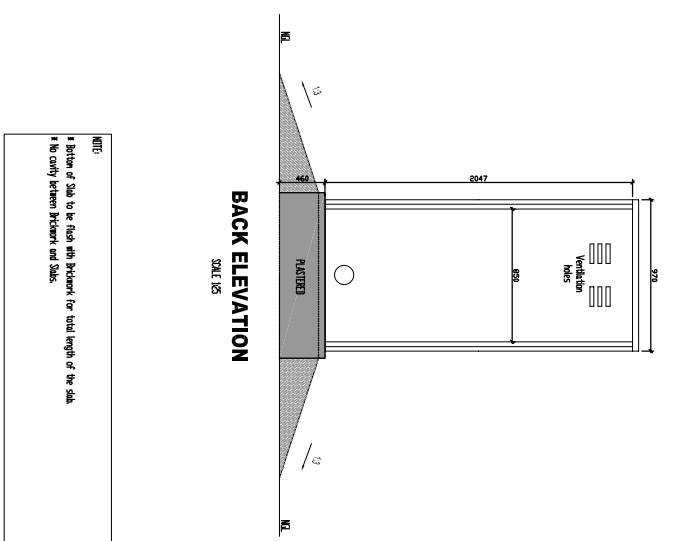
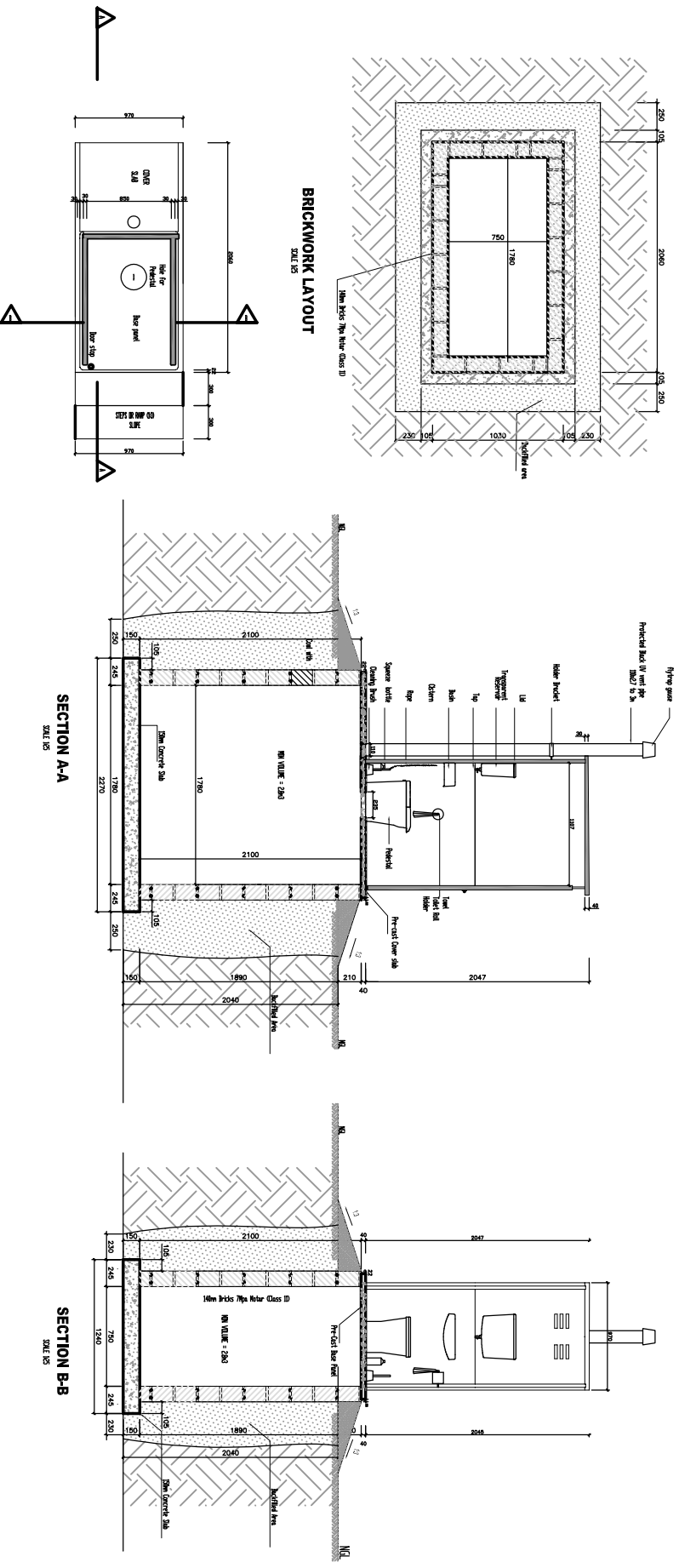
ISSUED FOR INFORMATION

NOTES:

- BASE:**
- 2-No. BASE SLABS
 - 1.0m wide x 1.5m Long
 - Mass 186kg each x 2
- SIDE PANEL:**
- 1.1m long x 605mm high x 35mm thick
 - Mass 57kg
 - 4mm wires with fibres
- BACK PANEL:**
- 850mm wide x 605mm high x 35mm thick
 - Mass 40kg
 - 4mm wires with fibres
- TOP FRAME:**
- 1.6m galvanised channel post with 2.5mm thick base plate
 - 1BR roof 0.58mm galvanised steel welded to 25 x 25mm angle iron frames
 - Roof and posts fixed with 8 x 8mm cap square bolts / nuts.
 - Independent steel swivel door 1.6m high x 870mm wide.
 - Mass 24kg.

CAPRICORN DISTRICT MUNICIPALITY
 No.41, Bizard Street,
 P.BAG 41100, Polokwane, 0700
 Tel: 015 294 1000

PROJECT TITLE:	
SANITATION PROJECT	
DRAWING TITLE:	
FLOOR LAYOUT PLAN & ELEVATIONS	
DRAWN:	DATE:
FC	28/07/2023
SCALES:	CHECKED:
AS SHOWN	BN
DRAWING No.	REV.
S-015-STD-01	



- CONSTRUCTION NOTES**
1. ALL DIMENSIONS IN mm
 2. ALL PANELS TO BE SECURED TO EACH OTHER WITH-CAST-IN PLUGS AND COATING PING
 3. ALL STOCK/CEMENT BRICKS TO HAVE A MINIMUM COMPRESSIVE STRENGTH OF 10MPa
 4. BRICKS TO BE LAID IN A CLASS II MORTAR (SABS 0164: PART 1 – 1980) WITH A 28 DAY COMPRESSIVE STRENGTH OF 7 MPa
 5. BRICKFORCE (3mm) TO BE USED IN FIRST THREE COURSES ABOVE FOUNDATIONS AND IN EVERY 3RD COURSE IN THE REST OF THE WALLS
 6. VENT PIPES SHALL BE SECURED TO WALL (500mm AND 1500mm FROM FLOOR SLAB) WITH SELF TAPPING, GALVANISED GUTTER BRACKETS AND WHERE POSSIBLE, GALVANISED 110Ø VENT PIPE PAINTED WITH TWO COATS BLACK ENAMEL PAINT WITH FLY SCREEN FIXED TO OUTLET WITH GALVANISED M/S CLAMPS OR WIRE
 8. PIT TO BE LINED STOCK/CEMENT BRICKS INCLUDING 300mm FREE BOARD
 9. VIP PEDESTAL TO BE SECURED TO STRUCTURE WITH CAST-IN-PLUGS
 10. SLABS TO HAVE HOLES IN POSITION AS SHOWN
 11. 6 m³ REQUIRED FOR PIT LINING:

LENGTH	2270
WIDTH	1230
DEPTH	2175
 - 10 m³ REQUIRED FOR SAFE WORKING SPACE:

LENGTH	2770
WIDTH	1690
DEPTH	2175
 12. BACKFILL AROUND THE PIT WALL TO BE WELL COMPACTED BEFORE SET UP OF TOP STRUCTURE
 13. POSITION SLAB ON BRICK STRUCTURE AFTER 48 HOURS. ENSURE MORTAR BED BETWEEN SLAB BRICKWORK. ENSURE THAT SLAB IS PLACED LEVEL (USE SPIRIT LEVEL).
 14. MORTAR MIX 1:3
 15. FOUNDATION CONCRETE CLASS 19/MPa
 16. ALL BUILDING WORK TO BE IN ACCORDANCE WITH SABS 1200

- NOTES:**
- BASE:**
- 2-No. BASE SLABS
 - 1.0m wide x 1.5m Long
 - Mass 186kg each x 2
- SIDE PANEL:**
- 1.1m long x 605mm high x 35mm thick
 - Mass 57kg
 - 4mm wires with fibres
- BACK PANEL:**
- 850mm wide x 605mm high x 35mm thick
 - Mass 40kg
 - 4mm wires with fibres
- TOP FRAME:**
- 1.6m galvanised channel post with 2.5mm thick base plate
 - 1BR roof 0.58mm galvanised steel welded to 25 x 25mm angle iron frames
 - Roof and posts fixed with 8 x 8mm cap square bolts / nuts.
 - Independent steel swivel door 1.6m high x 870mm wide.
 - Mass 24kg.

CAPRICORN DISTRICT MUNICIPALITY

No.41, Bizard Street,
P.BAG 4100, Polokwane, 0700
Tel: 015 294 1000

PROJECT TITLE: SANITATION PROJECT	
DRAWING TITLE: PRECAST VIP DETAILS	
DRAWN: FC	DATE: 28/07/2023
SCALES: AS SHOWN	CHECKED: BN
DRAWING No. S-015-STD-02	REV.